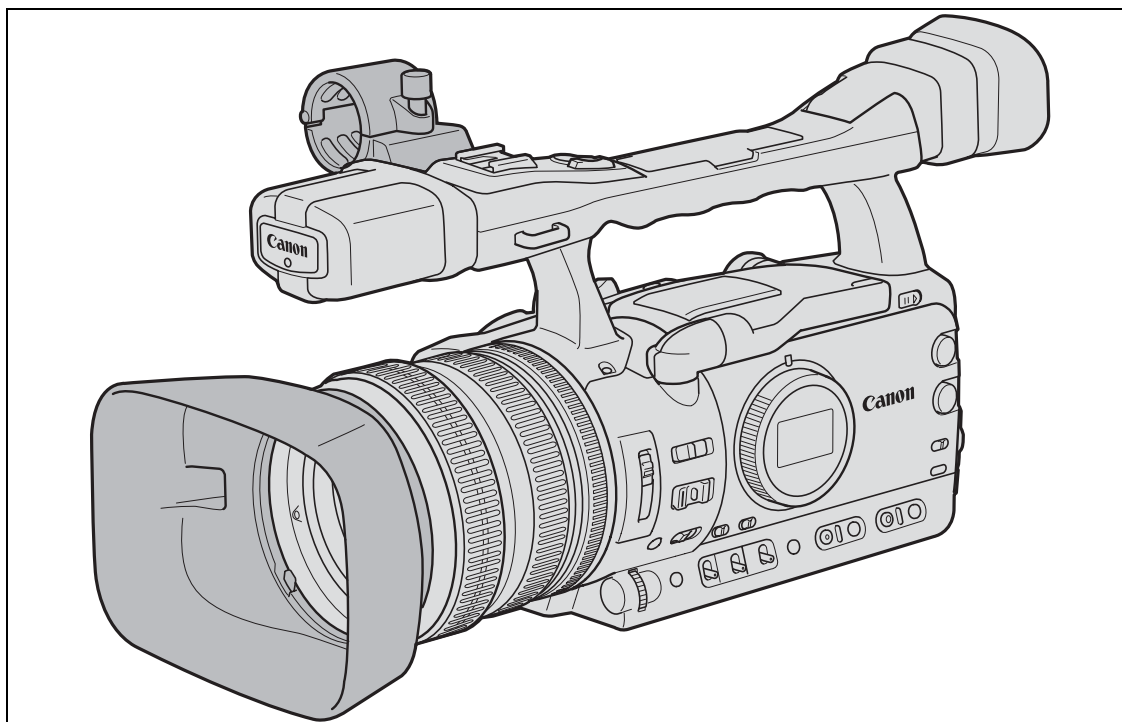


Canon

HD VIDEO CAMERA RECORDER Instruction Manual

English

XH G1 / XH A1



Introduction

Preparation

Recording

Customization

Playback

Editing

Using a
Memory Card

Additional
Information

Mini **DV** Digital
Video
Cassette

HDV
HDV 1080i

PAL

Important Usage Instructions

WARNING:



**TO REDUCE THE RISK OF ELECTRIC SHOCK, DO NOT REMOVE COVER (OR BACK). NO USER SERVICEABLE PARTS INSIDE.
REFER SERVICING TO QUALIFIED SERVICE PERSONNEL.**

WARNING:



TO REDUCE THE RISK OF FIRE OR ELECTRIC SHOCK, DO NOT EXPOSE THIS PRODUCT TO RAIN OR MOISTURE.

CAUTION:

TO REDUCE THE RISK OF ELECTRIC SHOCK AND TO REDUCE ANNOYING INTERFERENCE, USE THE RECOMMENDED ACCESSORIES ONLY.

CAUTION:

DISCONNECT THE MAINS PLUG FROM THE SUPPLY SOCKET WHEN NOT IN USE.

For Users in the UK

When replacing the fuse only a correctly rated approved type should be used and be sure to re-fit the fuse cover.

The Mains plug is used as the disconnect device. The Mains plug shall remain readily operable to disconnect the plug in case of an accident.

While using the compact power adapter, do not wrap it or cover it with a piece of cloth, and do not place it in confined narrow spaces. Heat may build up, the plastic case may deform and it could result in electric shock or fire.

CA-920 identification plate is located on the bottom.

- Use of CV-150F/CV-250F DV cable is necessary to comply with the technical requirement of EMC Directive.

European Union (and EEA) only.



This symbol indicates that this product is not to be disposed of with your household waste, according to the WEEE Directive (2002/96/EC) and your national law. This product should be handed over to a designated collection point, e.g., on an authorized one-for-one basis when you buy a new similar product or to an authorized collection site for recycling waste electrical and electronic equipment (EEE). Improper handling of this type of waste could have a possible negative impact on the environment and human health due to potentially hazardous substances that are generally associated with EEE. At the same time, your cooperation in the correct disposal of this product will contribute to the effective usage of natural resources. For more information about where you can drop off your waste equipment for recycling, please contact your local city office, waste authority, approved WEEE scheme or your household waste disposal service. For more information regarding return and recycling of WEEE products, please visit www.canon-europe.com/environment.
(EEA: Norway, Iceland and Liechtenstein)

About this Manual

Thank you for purchasing the Canon XH G1/XH A1. Please read this manual carefully before you use the camcorder and retain it for future reference. Should your camcorder fail to operate correctly, refer to the *Troubleshooting* table (📖 149).

Conventions Used in this Manual

- ⓘ: Precautions related to the camcorder operation.
- 📖: Additional topics that complement the basic operating procedures.
- 📖: Reference page number.
- Ⓜ: Capital letters are used to refer to buttons on the camcorder or the wireless controller.
- [] and capital letters are used to refer to menu options as they are displayed on screen. Menu options in boldface indicate the default setting.
- 📷: Illustrations included in the manual show the XH G1.
- “Screen” refers to the LCD screen and the viewfinder screen.
- “Card” or “Memory card” refers to an SDHC memory card, an SD memory card or a MultiMedia Card (MMC).
- 📷: Photographs included in the manual are simulated pictures taken with a still camera.
- Ⓜ: Option or feature that applies or is available only with this model.

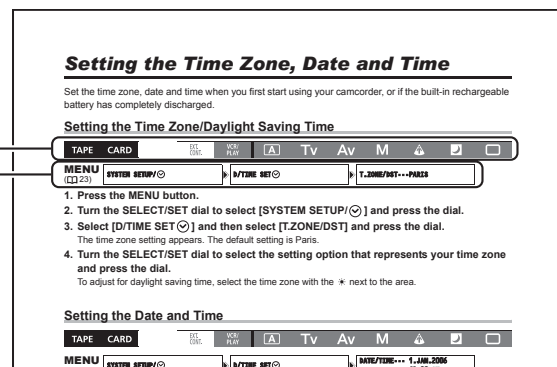
Operating modes

The availability of the various functions depends on the operating mode as indicated in the bar.

A, **CARD**: Function can be used in this mode.

A, **CARD**: Function cannot be used in this mode.

Menu item shown at its default position

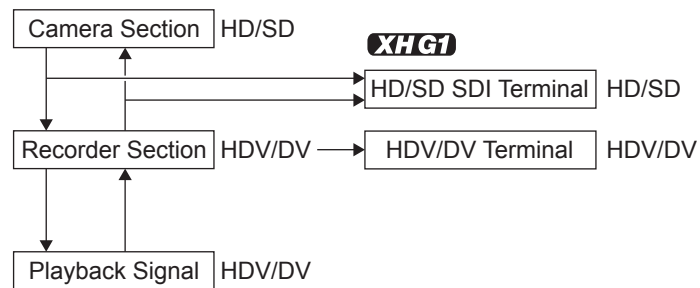


Trademark Acknowledgements

- Canon is a registered trademark of Canon Inc.
- Mini DV is a trademark.
- HDV and the HDV logo are trademarks of Sony Corporation and Victor Company of Japan, Ltd. (JVC).
- Ⓜ is a trademark.
- Windows® is either a trademark or registered trademark of Microsoft Corporation in the United States and/or other countries.
- Other names and products not mentioned above may be trademarks or registered trademarks of their respective companies.
- ANY USE OF THIS PRODUCT OTHER THAN CONSUMER PERSONAL USE IN ANY MANNER THAT COMPLIES WITH THE MPEG-2 STANDARD FOR ENCODING VIDEO INFORMATION FOR PACKAGED MEDIA IS EXPRESSLY PROHIBITED WITHOUT A LICENSE UNDER APPLICABLE PATENTS IN THE MPEG-2 PATENT PORTFOLIO, WHICH LICENSE IS AVAILABLE FROM MPEG LA, L.L.C., 250 STEELE STREET, SUITE 300, DENVER, COLORADO 80206.

About the HD/HDV and SD/DV Specifications

Throughout the manual we will distinguish between the video signal standards used by the camera section, and the recording standards used by the recorder section. The video signal can be set to HD (high definition) or SD (standard definition) specifications. The recording standard on the tape will be HDV or DV, respectively.



Contents

Introduction

Important Usage Instructions.....	2
About this Manual.....	3
Checking the Supplied Accessories	7
Components Guide.....	8

Preparations

Preparing the Power Supply.....	13
Preparing the Camcorder	16
Using the Wireless Controller.....	20
Loading/Removing a Cassette	21
Inserting/Removing a Memory Card.....	22
Changing Settings with the MENU Button.....	23
Setting the Time Zone, Date and Time.....	24

Recording

Recording	25
Selecting the Signal Standard and Aspect Ratio.....	29
Locating the End of the Last Scene	30
Zooming	31
Adjusting the Focus.....	33
Using the ND Filter	37
Selecting the Frame Rate.....	38
Setting the Time Code.....	39
XHGi Synchronizing the Camcorder's Time Code.....	40
Setting the User Bit.....	42
Audio Recording.....	43
Image Stabilizer	47
Using the Programmed AE Modes.....	48
Recording in the Shutter-Priority (Tv) Mode.....	51
Recording in the Aperture-Priority (Av) Mode.....	52
Recording in the Manual Mode.....	53
Adjusting the Exposure.....	54
Using AE Shift	55
Adjusting the Gain	56
Setting the White Balance	58
Using the Zebra Pattern	60
Using the Color Correction	61
Using the Skin Detail Function	63
Using the Sky Detail	64
Using the Clear Scan Function.....	65
Using the Custom Keys.....	66
Recording Color Bars/Audio Reference Signal	69
Using the Digital Video Control.....	70
Other Camcorder Functions/Settings	71

Customization

Using the Custom Preset.....	72
Using the Customized Functions.....	79
Customizing the On-Screen Displays.....	86

Playback

Playing Back a Tape.....	91
--------------------------	----

Connecting to a Monitor/TV	93
(SD) Audio Output	97
Returning to a Pre-marked Position	98
Index Search	99
Date Search	100
Displaying the Data Code.....	101
Changing the Remote Sensor Mode	102

Editing

Recording an External Video Signal (Analog Line-In, HDV/DV In).....	103
Converting Analog Signals into Digital Signals (Analog-Digital Converter)	105
Connecting to a Computer (IEEE1394)	106

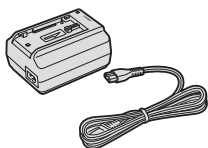
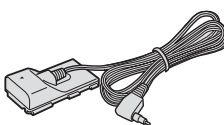
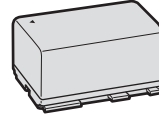

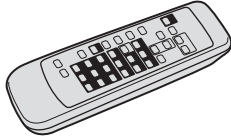
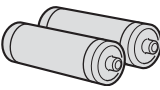
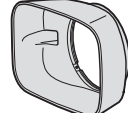

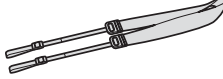

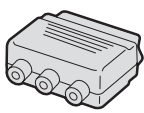
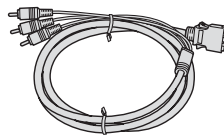
Using a Memory Card

Selecting the Image Quality/Size.....	107
File Numbers	108
Recording Still Images on a Memory Card	109
Selecting the Drive Mode	112
Selecting the Metering Method.....	114
Using an Optional Flash	115
Reviewing a Still Image Right after Recording	116
Playing Back Still Images from a Memory Card	117
Erasing Images.....	119
Protecting Images.....	120
Initializing a Memory Card	121
Print Order Settings.....	122

Additional Information

Settings Retained at Power Off or STANDBY Mode	123
Menu Options and Default Settings.....	124
Screen Displays.....	139
List of Messages.....	142
Maintenance/Others	143
Troubleshooting	149
System Diagram	151
Optional Accessories.....	152
Specifications	154
Index.....	156

Checking the Supplied Accessories

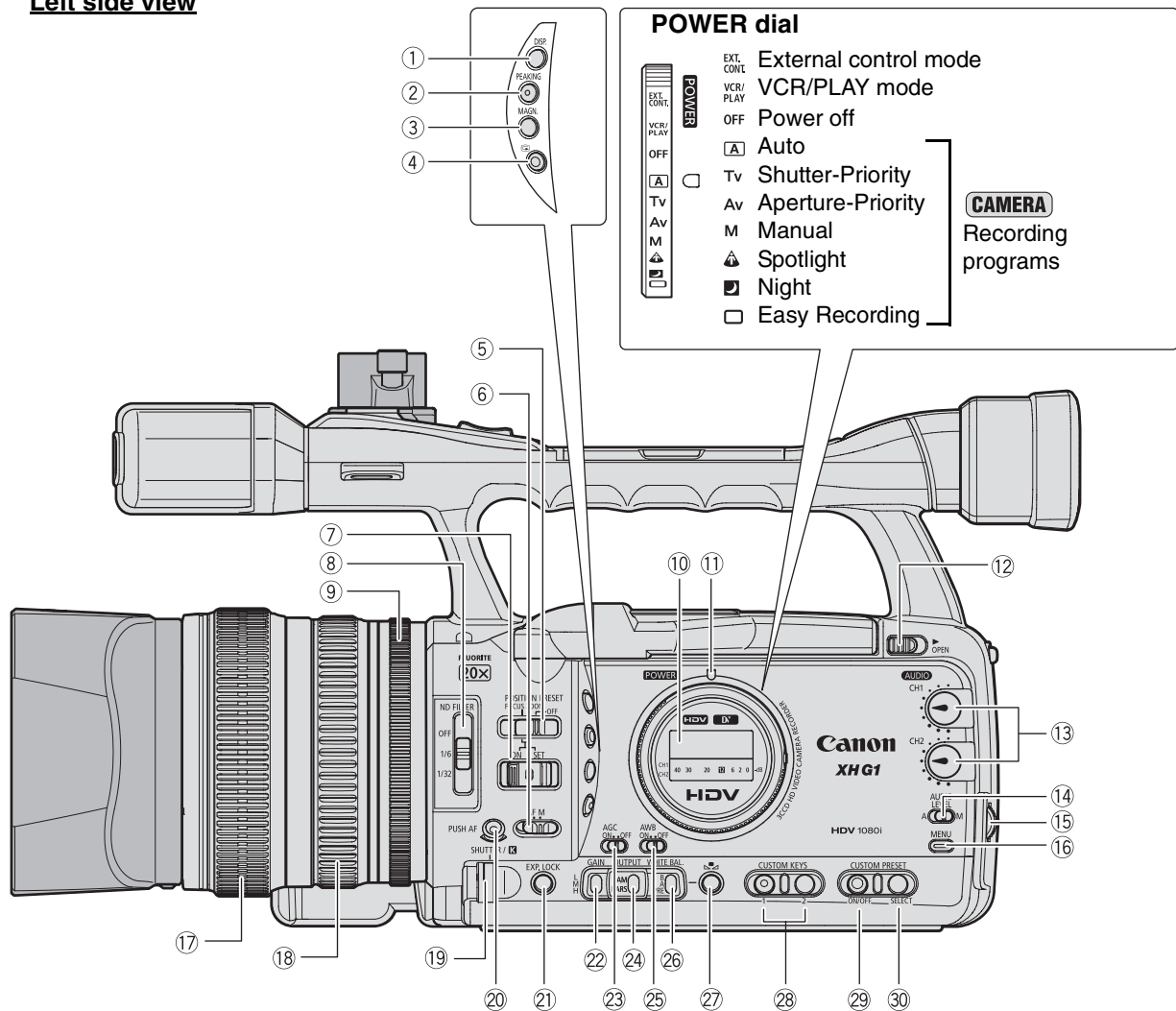
<p>CA-920 Compact Power Adapter</p> 	<p>DC-920 DC Coupler</p> 	<p>BP-950G Battery Pack</p> 	<p>SDC-16M SD Memory Card</p> 	<p>WL-D5000 Wireless Controller</p> 
<p>Two AA (R6) Batteries</p> 	<p>Lens Hood</p> 	<p>Lens Cap</p> 	<p>SS-1100 Shoulder Strap</p> 	<p>STV-290N Stereo Video Cable</p> 
<p>PC-A10 SCART Adapter*</p> 	<p>DTC-1000 Component Video Cable</p> 			

* Europe only.

Components Guide

XH G1/XH A1

Left side view



① DISP. (display) button (27)

② PEAKING button (35)

③ MAGN. (magnification) button (35)

④ (record review) button (28)

⑤ POSITION PRESET switch (32, 35)

⑥ Focus mode switch (33)

⑦ POSITION PRESET ON/SET switch (32, 35)

⑧ ND FILTER switch (37)

⑨ Iris ring (52, 53)

⑩ Side panel (141)

⑪ POWER indicator

⑫ OPEN (open the LCD display) switch (17)

⑬ AUDIO CH1/CH2 dials (45)

⑭ AUDIO LEVEL switch (45)

⑮ SELECT/SET dial (23)

⑯ MENU button (23)

⑰ Focus ring (33)

⑱ Zoom ring (31)

⑲ SHUTTER dial (51)/K dial (58)

⑳ PUSH AF button (34)

㉑ EXP. LOCK button (54)

㉒ GAIN switch (54)

㉓ AGC (automatic gain control) switch (56)

㉔ OUTPUT switch (69)

㉕ AWB (automatic white balance) switch (58)

㉖ WHITE BAL. (white balance) switch (58)

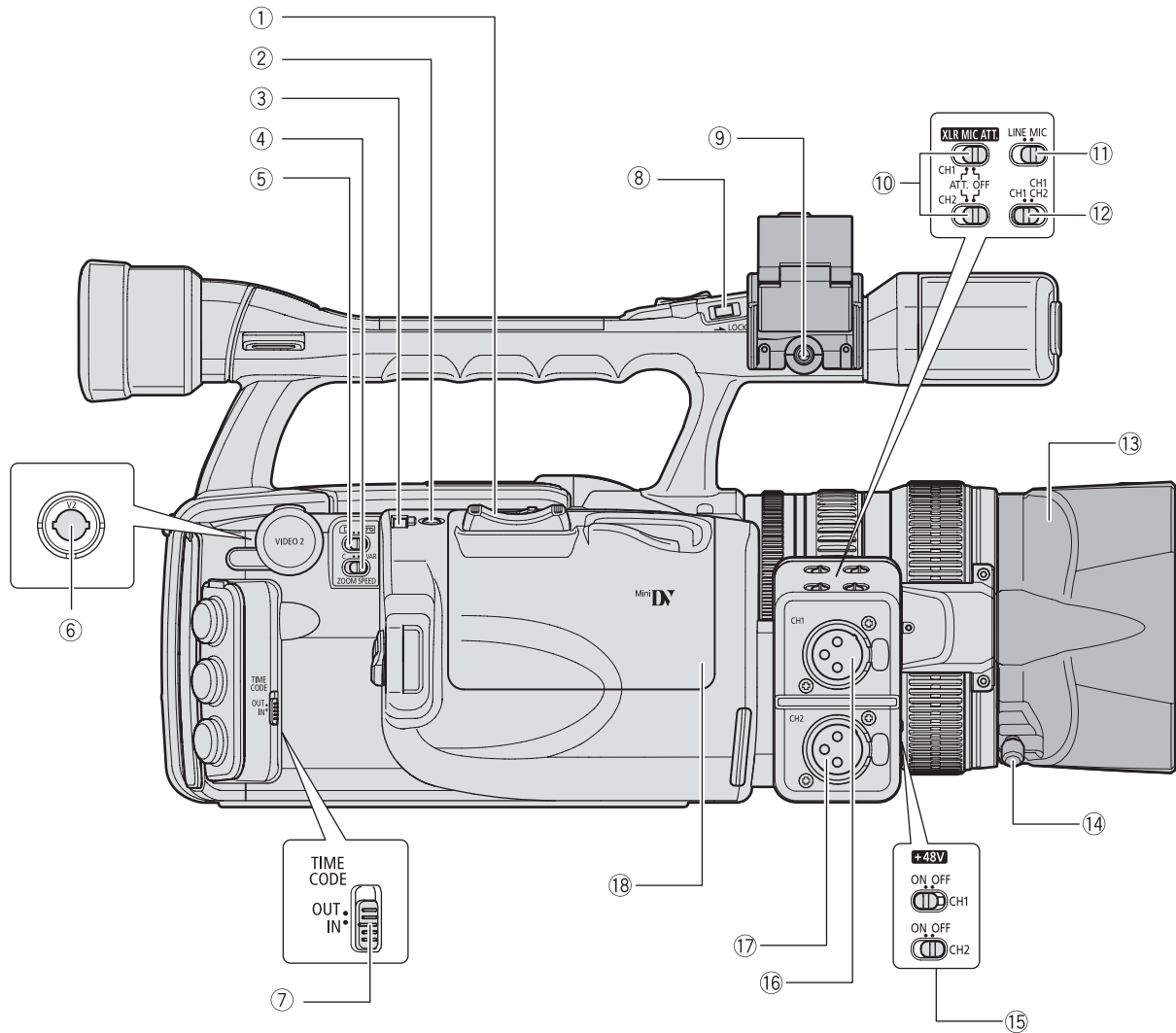
㉗ WHITE BAL. (white balance) button (58)

㉘ CUSTOM KEYS (66)

㉙ CUSTOM PRESET ON/OFF button (77)

㉚ CUSTOM PRESET SELECT button (77)

Right side view

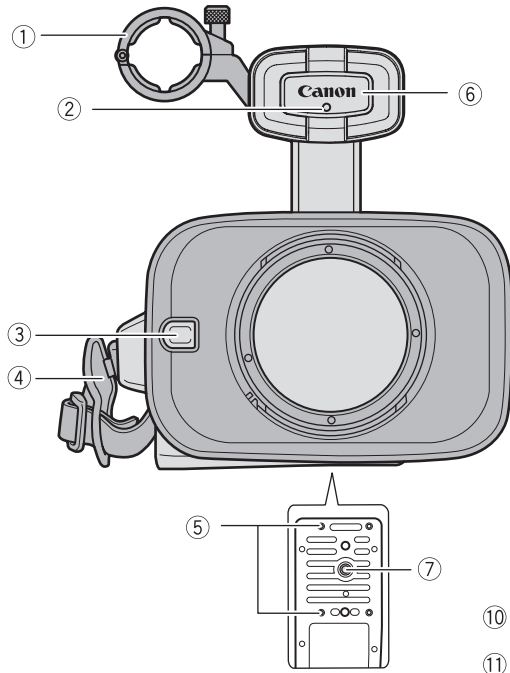


- ① Grip zoom lever (31)
- ② PHOTO button (109)
- ③ Zoom speed adjustment dial (31)
- ④ ZOOM SPEED switch (31)
- ⑤ (card/tape) switch (109)
- ⑥ VIDEO2 terminal (95)
- ⑦ TIME CODE switch* (40)
- ⑧ LOCK switch (26)
- ⑨ MIC (external microphone) terminal (43)

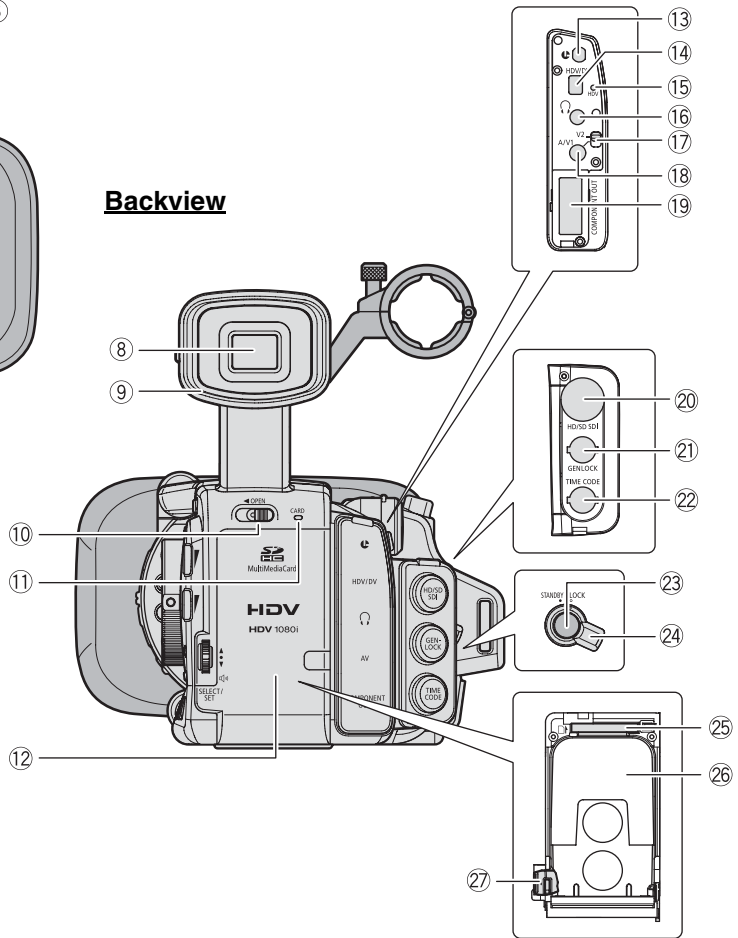
- ⑩ XLR MIC ATT. switches (44)
- ⑪ LINE/MIC switch (44)
- ⑫ Input channel selection switch (44)
- ⑬ Lens hood (19)
- ⑭ Lens hood locking screw (19)
- ⑮ +48V switches (44)
- ⑯ CH1 input terminal (44)
- ⑰ CH2 input terminal (44)
- ⑱ Cassette compartment (21)


* **XHG1** only.

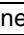
Front view



Backview



- ① External microphone holder (44)
- ② Tally lamp (85)
- ③ External sensor for the Instant AF (33)
- ④ Grip belt (18)
- ⑤ Attachment sockets for the optional TA-100 Tripod Adapter (152)
- ⑥ Remote sensor (20, 102)
- ⑦ Tripod socket*
- ⑧ Viewfinder (16)
- ⑨ Dioptic adjustment lever (16)
- ⑩ OPEN (open the battery compartment) switch (13)
- ⑪ CARD access indicator (109)
- ⑫ Battery/memory card compartment (13)
- ⑬  terminal


- ⑭ HDV/DV terminal (94, 103, 106)
- ⑮ HDV indicator (85)
- ⑯  (headphones) terminal
- ⑰ Video output selection switch (95)
- ⑱ A/V1 terminal (93)
- ⑲ COMPONENT OUT terminal (94)
- ⑳ HD/SD SDI terminal** (93)
- ㉑ GENLOCK terminal** (40)
- ㉒ TIME CODE terminal** (40)
- ㉓ Start/stop button (25)
- ㉔ STANDBY lever (26)
- ㉕ Memory card slot (22)
- ㉖ Battery attachment unit (13)
- ㉗ BATT. RELEASE latch (13)

* Do not use tripods with fastening screws longer than 5.5 mm as it may damage the camcorder.

** **XHGT** only.

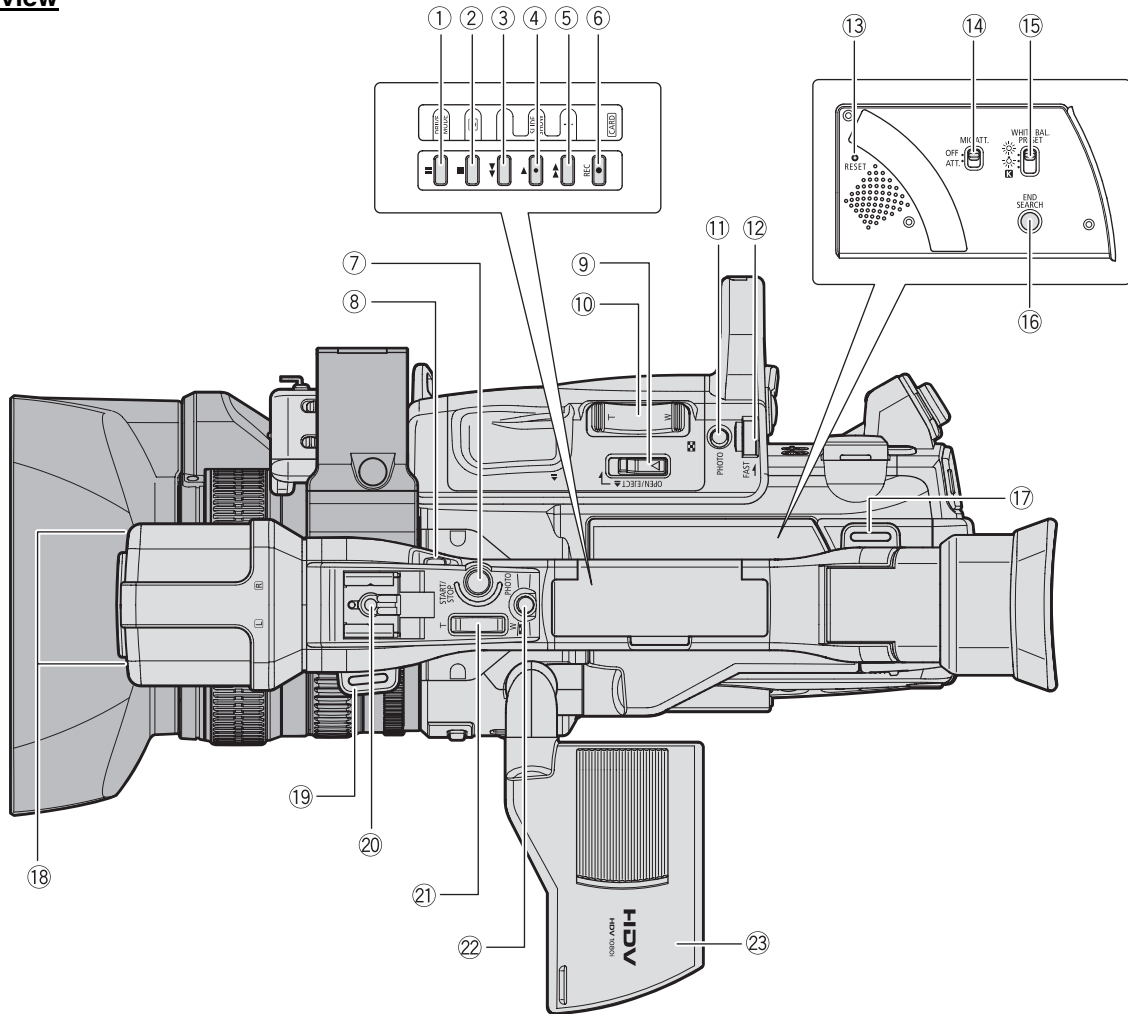
⑬ About the Terminal

 (LANC) stands for Local Application Control Bus System. The  terminal allows you to connect and control connected devices. Connect only devices with the  mark to the  terminal.

○ Operation cannot be guaranteed for connections with devices not bearing the  mark.

○ Some buttons of connected devices may not operate or may operate differently than the buttons on the camcorder.

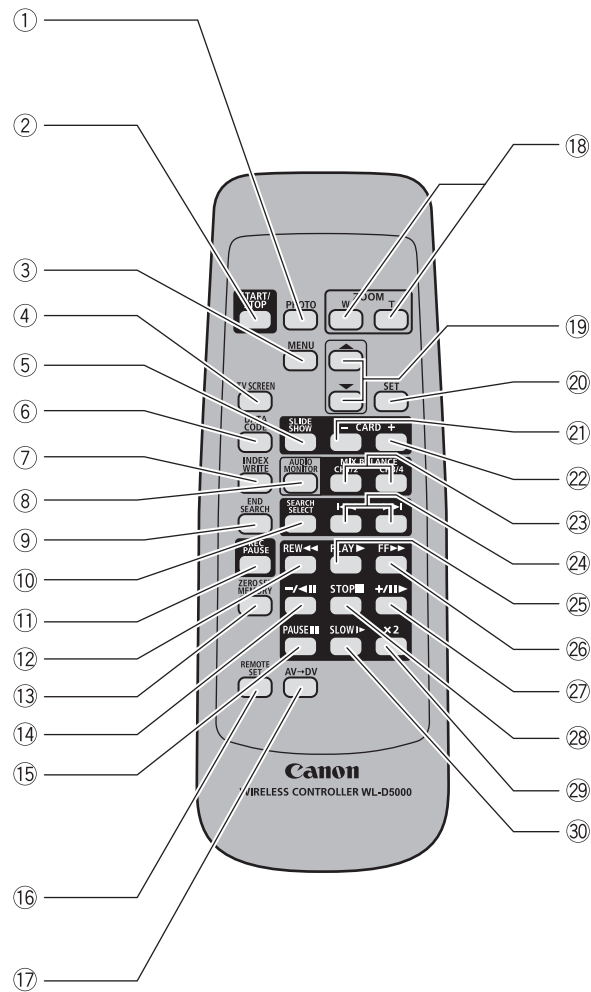
Top view



- ① **||** (pause) button (91) /
DRIVE MODE button (112)
- ② **■** (stop) button (91) /
☒ (metering mode) button (114)
- ③ **◀◀** (rewind) button (91) /
CARD - button (117)
- ④ **▶▶** (play) button (91) /
SLIDESHOW button (117)
- ⑤ **▶▶▶** (fast forward) button (91) /
CARD + button (117)
- ⑥ **● REC** (record) button (103)
- ⑦ Start/stop button (25)
- ⑧ LOCK switch (26)
- ⑨ OPEN/EJECT **▲** switch (21)

- ⑩ Grip zoom lever (31)
- ⑪ PHOTO button (109)
- ⑫ Zoom speed adjustment dial (31)
- ⑬ RESET button
- ⑭ MIC ATT. switch (44)
- ⑮ WHITE BAL. PRESET switch (58)
- ⑯ END SEARCH button (30)
- ⑰ Strap mount (18)
- ⑱ Microphone (43)
- ⑲ Strap mount (18)
- ⑳ Hot shoe (115)
- ㉑ Handle zoom lever (31)
- ㉒ PHOTO button (109)
- ㉓ LCD display (17)

WL-D5000 Wireless Controller



- ① PHOTO button (☞ 109)
- ② START/STOP button (☞ 25)
- ③ MENU button (☞ 23)
- ④ TV SCREEN button (☞ 86)
- ⑤ SLIDESHOW button (☞ 117)
- ⑥ DATA CODE button (☞ 101)
- ⑦ INDEX WRITE button (☞ 67)
- ⑧ AUDIO MONITOR button (☞ 97)
- ⑨ END SEARCH button (☞ 30)
- ⑩ SEARCH SELECT button (☞ 99, 100)
- ⑪ REC PAUSE button (☞ 103)
- ⑫ REW ◀◀ button (☞ 91)
- ⑬ ZERO SET MEMORY button (☞ 98)
- ⑭ -/◀◀ button (☞ 91)
- ⑮ PAUSE || button (☞ 91)

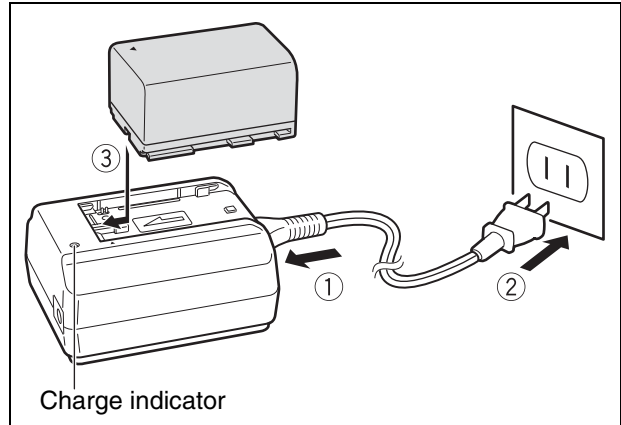
- ⑯ REMOTE SET button (☞ 102)
- ⑰ AV → DV button (☞ 105)
- ⑱ Zoom buttons (☞ 31)
- ⑲ Menu selection buttons (☞ 23)
- ⑳ SET button (☞ 23)
- ㉑ **CARD** - button (☞ 117)
- ㉒ **CARD** + button (☞ 117)
- ㉓ MIX BALANCE buttons (☞ 97)
- ㉔ ◀◀/▶▶ buttons (☞ 99, 100)
- ㉕ PLAY ▶ button (☞ 91)
- ㉖ FF ▶▶ button (☞ 91)
- ㉗ +/||▶ button (☞ 91)
- ㉘ STOP ■ button (☞ 91)
- ㉙ ×2 button (☞ 91)
- ㉚ SLOW ▶▶ button (☞ 91)

Preparing the Power Supply

Charging the Battery Pack

Disconnect the DC coupler from the power adapter before charging. Remove the terminal cover of the battery pack.

1. Connect the power cord to the adapter.
2. Plug the power cord into a power outlet.
3. Attach the battery pack to the adapter.
 - Press lightly and slide the battery pack in the direction of the arrow until it clicks.
 - The charge indicator starts flashing. The indicator will stay on when the charging is completed.
4. When the charging is completed, remove the battery pack from the adapter.
5. Unplug the power cord from the power outlet and disconnect it from the adapter.

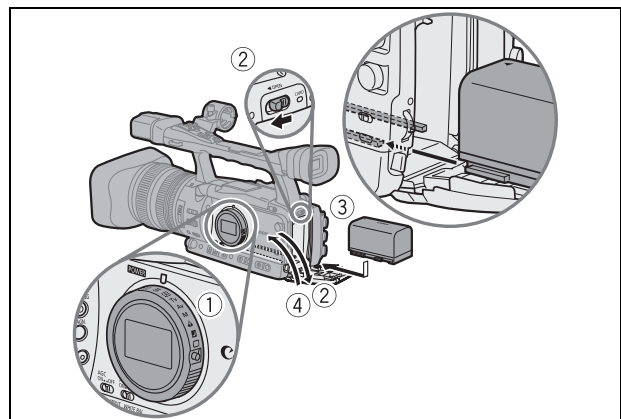


Attaching the Battery Pack

1. Turn the **POWER** dial to OFF.
2. Push the **OPEN** switch in the direction of the arrow to open the battery compartment cover.
3. Insert the battery all the way into the compartment and press gently until it clicks.
4. Close the battery compartment cover.

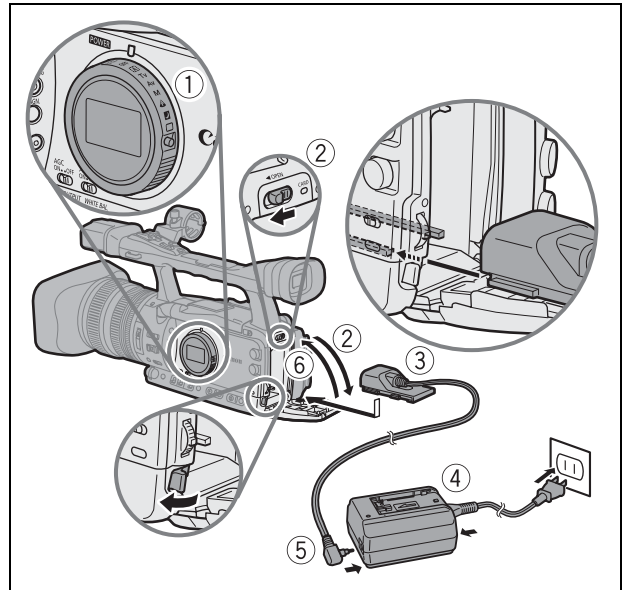
To Remove the Battery

1. Turn the **POWER** dial to OFF.
2. Push the **OPEN** switch in the direction of the arrow to open the battery compartment cover.
3. Press the **BATT.RELEASE** latch left and pull out the battery.
4. Close the battery compartment cover.



Using a Household Power Outlet

1. Turn the **POWER** dial to OFF.
2. **Attach the DC coupler to the camcorder.**
Open the battery compartment cover and slide the DC coupler all the way into the compartment and press gently until it clicks.
3. **Connect the power cord to the power adapter.**
4. **Plug the power cord into a power outlet.**
5. **Connect the DC coupler to the adapter.**
6. **Pass the cable through the special slot and close battery compartment cover.**
7. **Detach the DC coupler after use.**
Open the battery compartment cover, press the BATT.RELEASE latch left and pull out the DC coupler.



About the Built-in Rechargeable Lithium Battery

This camcorder has a built-in rechargeable lithium battery to retain the date, time and other settings. The built-in battery is recharged every time you use the camcorder. However, when you use the camcorder for only short times or do not use it for a period of over 3 months, it will discharge completely. In that case, recharge the built-in battery by powering the camcorder from a power outlet and leaving it with the **POWER** dial set to OFF for at least 24 hours.



- Disconnect the DC coupler from the power adapter when charging a battery pack.
- Turn off the camcorder before connecting or disconnecting the power adapter.
- If the adapter is used close to a TV, it may cause picture interference. Move the adapter away from the TV or the antenna cable.
- Do not connect to the power adapter any products not expressly recommended for use with this camcorder.



- If you connect a faulty power adapter or battery pack, the charge indicator turns off and the charging will stop.
- The charge indicator serves also as an indication about the charge status.
 - 0-50%: Flashes once per second
 - 50-75%: Flashes twice per second
 - More than 75%: Flashes 3 times per second
 - 100%: Continuously on
- We recommend charging the battery pack in temperatures between 10 °C and 30 °C. The charging time will vary depending on the surrounding temperature and the battery's initial charge condition.
- In cold places the effective usage time of the battery will decrease.
- We recommend that you prepare battery packs 2 to 3 times longer than you think you might need.
- To conserve battery power, turn off the camcorder instead of leaving it in record pause mode.

○ Charging, Recording and Playback Times

The following times are approximate and vary according to the charging, recording and playback conditions.

Battery Pack	BP-930	BP-945	BP-950G	BP-970G
Charging Time with the CA-920 Compact Power Adapter	145 min.	220 min.	235 min.	320 min.

XHG1

(HDV) Recording and Playback Times		BP-930	BP-945	BP-950G	BP-970G
Maximum Recording Time	Viewfinder [NORMAL]	150 min.	230 min.	320 min.	460 min.
	Viewfinder [BRIGHT]	150 min.	225 min.	320 min.	455 min.
	LCD screen [NORMAL]	150 min.	225 min.	315 min.	430 min.
	LCD screen [BRIGHT]	145 min.	215 min.	305 min.	420 min.
Typical Recording Time*	Viewfinder [NORMAL]	90 min.	140 min.	195 min.	280 min.
	Viewfinder [BRIGHT]	90 min.	140 min.	195 min.	280 min.
	LCD screen [NORMAL]	90 min.	135 min.	190 min.	260 min.
	LCD screen [BRIGHT]	85 min.	130 min.	185 min.	255 min.
Playback Time	LCD screen [NORMAL]	165 min.	250 min.	350 min.	480 min.

(DV) Recording and Playback Times		BP-930	BP-945	BP-950G	BP-970G
Maximum Recording Time	Viewfinder [NORMAL]	170 min.	255 min.	355 min.	510 min.
	Viewfinder [BRIGHT]	165 min.	250 min.	355 min.	505 min.
	LCD screen [NORMAL]	165 min.	245 min.	345 min.	475 min.
	LCD screen [BRIGHT]	160 min.	240 min.	335 min.	460 min.
Typical Recording Time*	Viewfinder [NORMAL]	100 min.	155 min.	215 min.	310 min.
	Viewfinder [BRIGHT]	100 min.	155 min.	215 min.	310 min.
	LCD screen [NORMAL]	100 min.	150 min.	210 min.	290 min.
	LCD screen [BRIGHT]	95 min.	145 min.	200 min.	280 min.
Playback Time	LCD screen [NORMAL]	180 min.	270 min.	375 min.	515 min.

XHA1

(HDV) Recording and Playback Times		BP-930	BP-945	BP-950G	BP-970G
Maximum Recording Time	Viewfinder [NORMAL]	165 min.	245 min.	345 min.	490 min.
	Viewfinder [BRIGHT]	160 min.	240 min.	340 min.	485 min.
	LCD screen [NORMAL]	160 min.	235 min.	335 min.	475 min.
	LCD screen [BRIGHT]	155 min.	230 min.	325 min.	460 min.
Typical Recording Time*	Viewfinder [NORMAL]	100 min.	150 min.	210 min.	300 min.
	Viewfinder [BRIGHT]	100 min.	145 min.	210 min.	295 min.
	LCD screen [NORMAL]	95 min.	145 min.	205 min.	290 min.
	LCD screen [BRIGHT]	90 min.	140 min.	195 min.	280 min.
Playback Time	LCD screen [NORMAL]	180 min.	265 min.	380 min.	535 min.

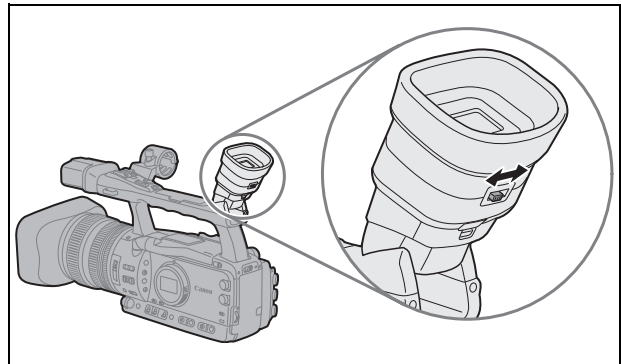
(DV) Recording and Playback Times		BP-930	BP-945	BP-950G	BP-970G
Maximum Recording Time	Viewfinder [NORMAL]	180 min.	270 min.	385 min.	540 min.
	Viewfinder [BRIGHT]	180 min.	270 min.	380 min.	540 min.
	LCD screen [NORMAL]	175 min.	265 min.	375 min.	530 min.
	LCD screen [BRIGHT]	170 min.	255 min.	360 min.	510 min.
Typical Recording Time*	Viewfinder [NORMAL]	110 min.	165 min.	235 min.	330 min.
	Viewfinder [BRIGHT]	110 min.	165 min.	235 min.	330 min.
	LCD screen [NORMAL]	105 min.	160 min.	230 min.	320 min.
	LCD screen [BRIGHT]	100 min.	155 min.	215 min.	310 min.
Playback Time	LCD screen [NORMAL]	195 min.	290 min.	410 min.	580 min.

* Approximate times for recording with repeated operations such as start/stop, zooming, power on/off. Actual time may be shorter.

Preparing the Camcorder

Dioptric Adjustment

Turn on the camcorder and adjust the dioptic adjustment lever.



Prevent direct sunlight from getting in the viewfinder. The viewfinder LCD may become damaged due to concentration of the light by the lens. Pay special attention when mounting the camcorder on a tripod, or during its transportation.

Adjusting the Viewfinder

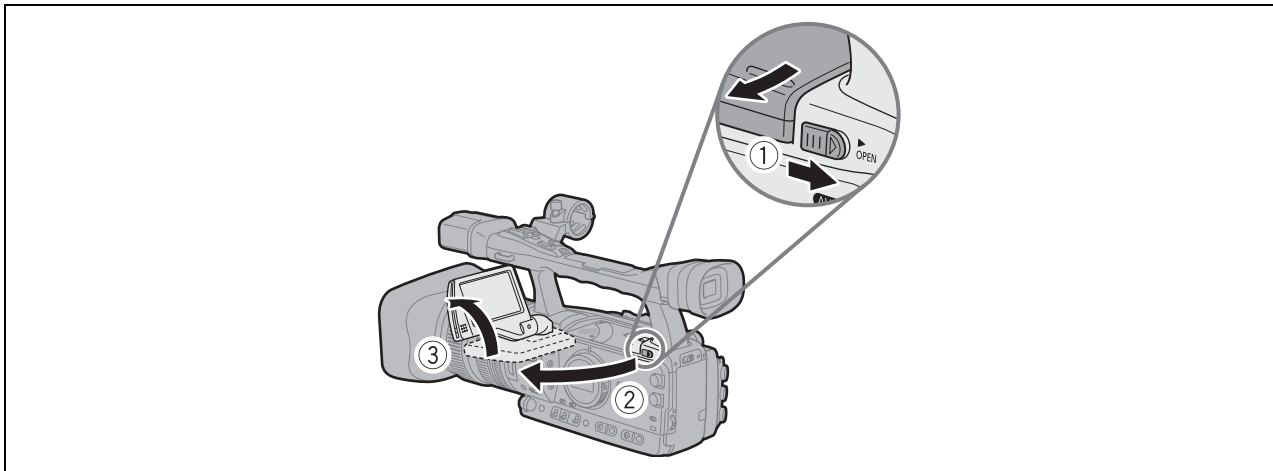
You can adjust the brightness, contrast, color, sharpness and backlight of the viewfinder. These adjustments will not affect your recording.

TAPE	CARD	EXT. CONT.	VCR/PLAY	A	Tv	Av	M	▲	☾	□
MENU (23)	DISPLAY SETUP/☺	▶	CVF SETUP	▶	BRIGHTNESS••••• - [] +	CONTRAST••••• - [] +	COLOR•••••••• - [] +	SHARPNESS••••• - [] +	BACKLIGHT••••NORMAL*	

* The default value is [BRIGHT] while using the power adapter.

1. Press the MENU button.
2. Turn the SELECT/SET dial to select [DISPLAY SETUP/☺] and press the dial.
3. Select [CVF SETUP] and then select [BRIGHTNESS], [CONTRAST], [COLOR], [SHARPNESS] or [BACKLIGHT].
4. Adjust the setting with the SELECT/SET dial and press the dial.
 - After the adjustment you will return to the [CVF SETUP] submenu. If necessary, change additional settings in the same way.
5. Press the MENU button to close the menu.

Using the LCD Display



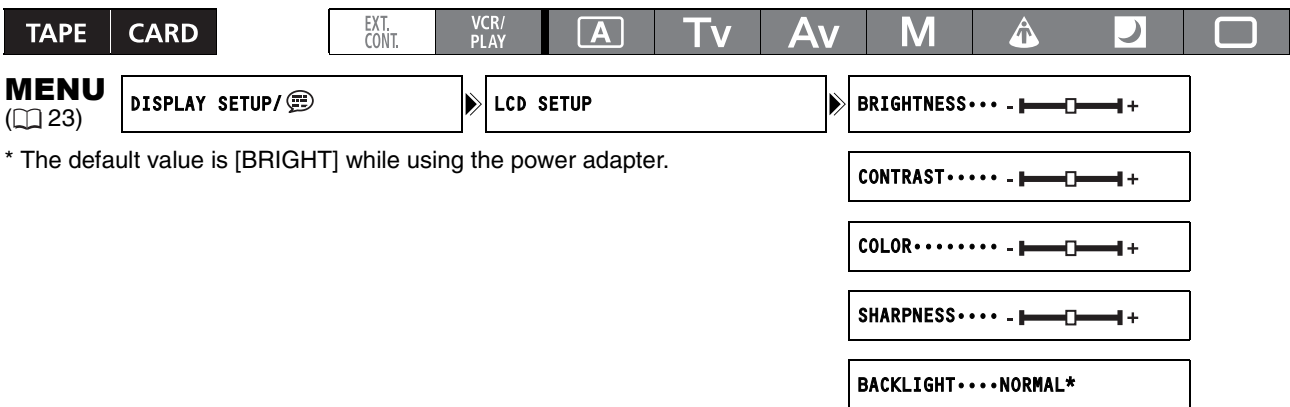
1. Slide the OPEN switch in the direction of the arrow to unlock the LCD panel.
2. Pull out the LCD panel.
3. Rotate the LCD panel and adjust it to the desired position.



- You can change the LCD panel to black & white display (18).
- By default, the viewfinder display is turned off while you use the LCD panel. However, you can change the settings to be able to use both displays simultaneously (18).

Adjusting the LCD Panel

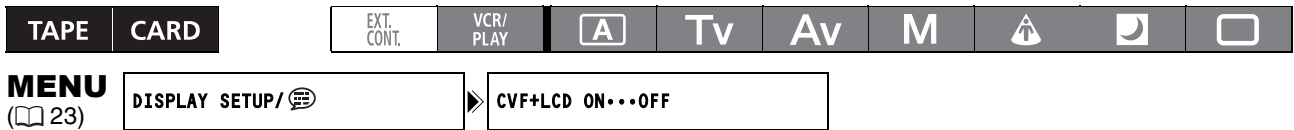
You can adjust the brightness, contrast, color, sharpness and backlight of the LCD Panel. These adjustments will not affect your recording.



1. Press the MENU button.
2. Turn the SELECT/SET dial to select [DISPLAY SETUP/] and press the dial.
3. Select [LCD SETUP] and then select [BRIGHTNESS], [CONTRAST], [COLOR], [SHARPNESS] or [BACKLIGHT].
4. Adjust the setting with the SELECT/SET dial and press the dial.
 - After the adjustment you will return to the [LCD SETUP] submenu. Change additional settings in the same way as necessary.
5. Press the MENU button to close the menu.

Using the Viewfinder and the LCD Panel Simultaneously

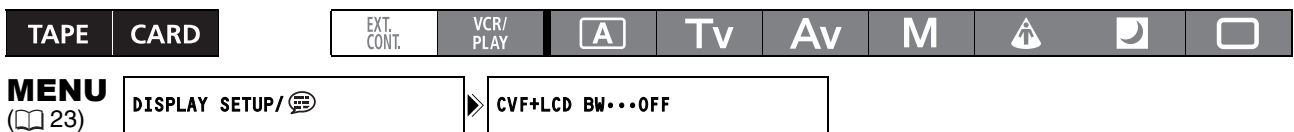
By default, the viewfinder display is turned off while you use the LCD panel. Follow the procedure below to use both of them simultaneously.



1. Press the MENU button.
2. Turn the SELECT/SET dial to select [DISPLAY SETUP/ [speech bubble icon]] and press the dial.
3. Select [CVF+LCD ON], set it to [ON] and press the dial.
4. Press the MENU button to close the menu.

Changing the Viewfinder and the LCD Panel to Black & White Display

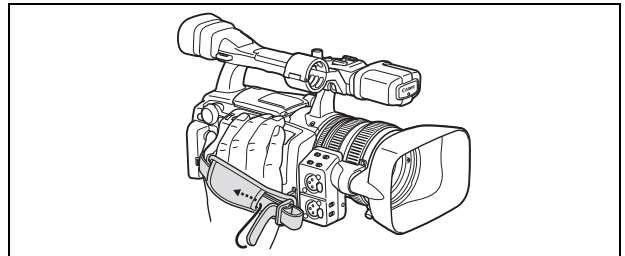
The LCD display and the viewfinder are both color displays. Follow the procedure below to turn both of them to black & white display mode.



1. Press the MENU button.
2. Turn the SELECT/SET dial to select [DISPLAY SETUP/ [speech bubble icon]] and press the dial.
3. Select [CVF+LCD BW], set it to [ON] and press the dial.
4. Press the MENU button to close the menu.

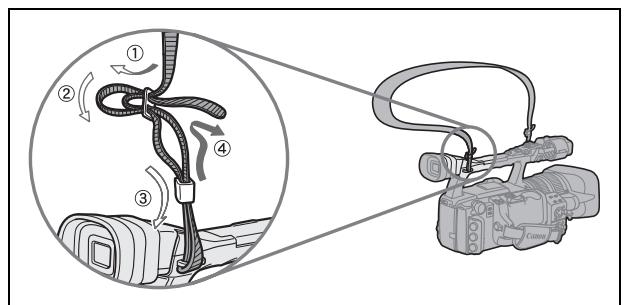
Fastening the Grip Belt

Adjust the grip belt so that you can reach the zoom lever with your index and middle finger, and the start/stop button with your thumb.



Attaching the Shoulder Strap

Pass the ends through the strap mount and adjust the length of the strap.



Be careful not to drop the camcorder when adjusting the strap or the grip belt.

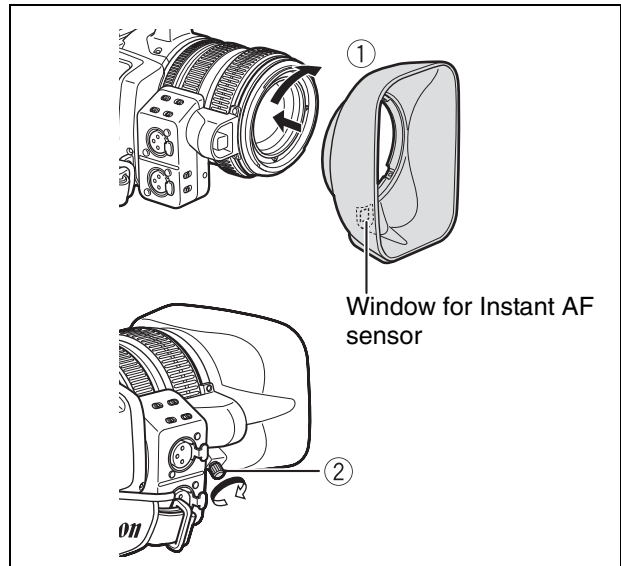
Attaching the Lens Hood

Attach the lens hood to protect the lens and shade it from stray light.

1. Place the lens hood on the front of the lens so that the window for the external Instant AF sensor faces down and turn it 90 degrees clockwise.

- Be careful not to deform the lens hood.
- Make sure that the lens hood is aligned with the thread.

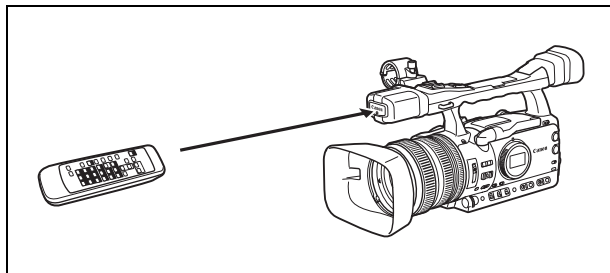
2. Tighten the locking screw.



E

Using the Wireless Controller

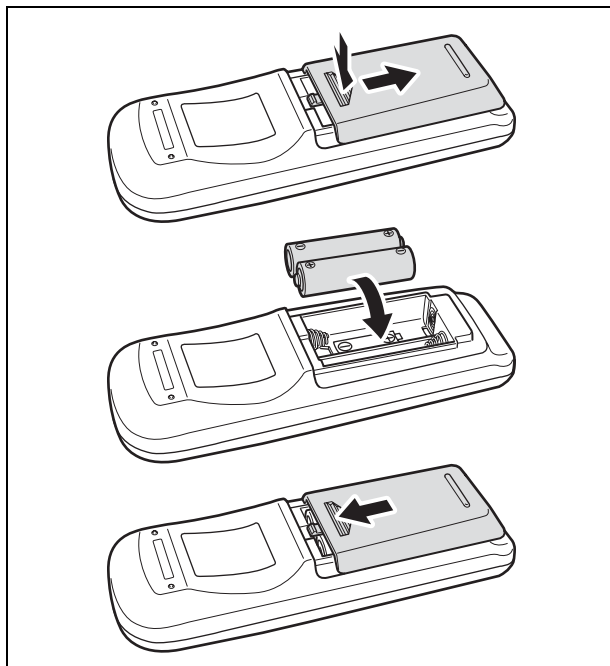
When you press the buttons on the wireless controller, point it at the camcorder's remote sensor.



Inserting the Batteries

The wireless controller operates with two AA (R6) batteries.

1. Open the battery cover.
2. Insert the batteries following the + and - markings.
3. Close the battery cover.



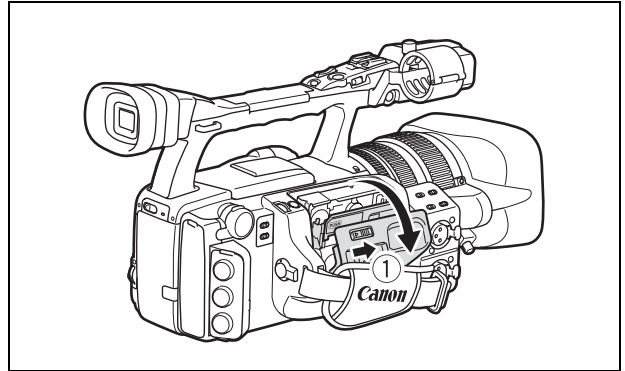
- The camcorder and wireless controller are equipped with 2 remote sensor modes (102). If the wireless controller does not work, verify that the camcorder and wireless controller are set to the same mode.
- When the camcorder cannot be operated with the wireless controller, or when it can only be operated at very close range, replace the batteries. **Make sure to replace both batteries at the same time.**
- The wireless controller may not work properly when the remote sensor is located under strong light sources or direct sunlight.

Loading/Removing a Cassette

Use only videocassettes marked with the Mini DV logo. For recording in HDV we recommend you use videocassettes compatible with the HDV standard.

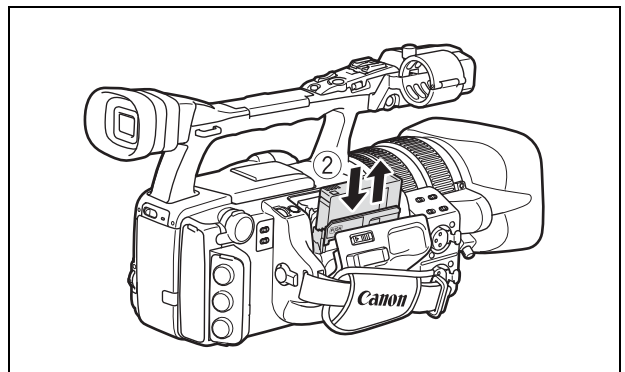
1. Slide the OPEN/EJECT \blacktriangle switch to open the cassette compartment cover.

The cassette compartment opens automatically.



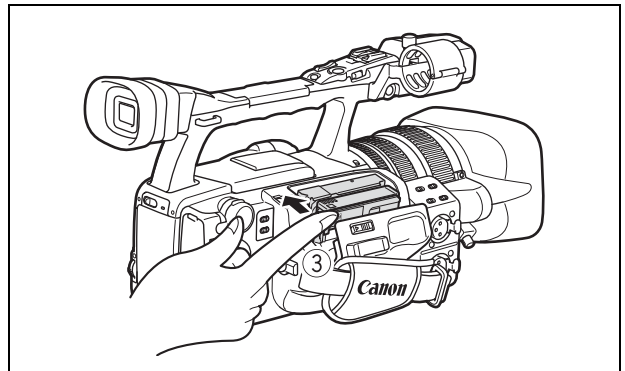
2. Load/remove the cassette.

- Insert the cassette straight, fully into the compartment with the window facing out.
- Remove the cassette by pulling it straight out.

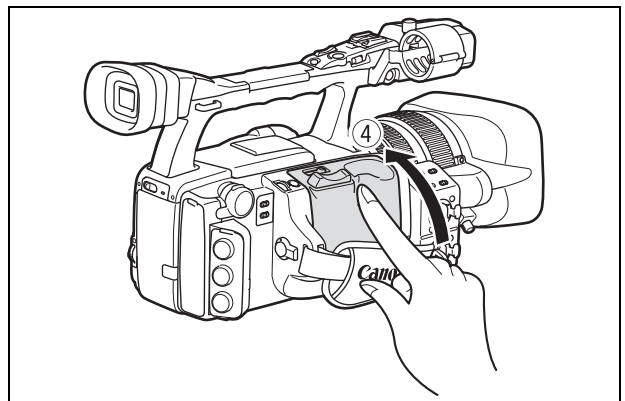


3. Close the cassette compartment by pressing on the **PUSH** mark on the cover.

The cassette compartment will retract automatically.



4. Close the cassette compartment cover.



- Do not interfere with the cassette compartment while it is opening or closing automatically.
- Be careful not to get your fingers caught in the cassette compartment.



If the camcorder is connected to a power source, cassettes can be loaded/removed even if the **POWER** dial is set to OFF.

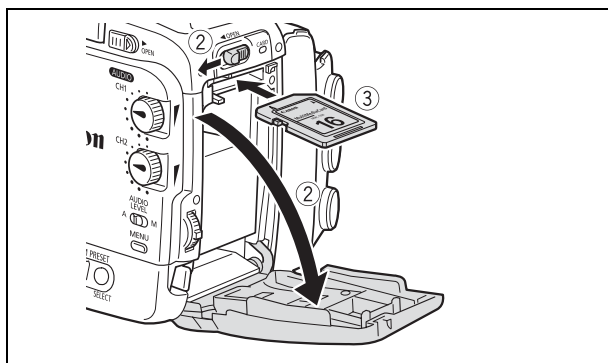
Inserting/Removing a Memory Card

You can use only  SDHC memory cards,  SD memory cards or MultiMedia Cards (MMC) with this camcorder.

Inserting the Card

1. Set the **POWER** dial to OFF.
2. Push the **OPEN** switch in the direction of the arrow to open the battery/memory card compartment cover.
3. Insert the memory card straight, all the way into the memory card slot.
4. Close the compartment.

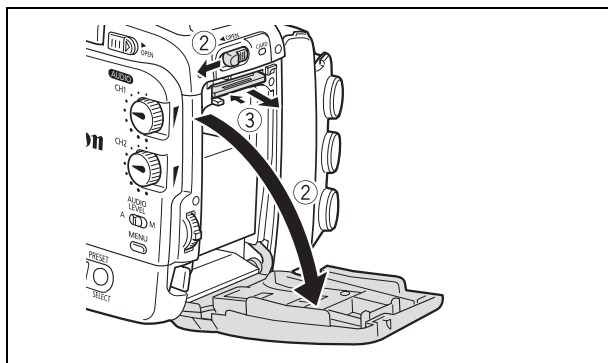
Do not force the cover closed if the card is not correctly inserted.



Removing the Card

Do not forcefully remove the memory card without first pushing it in to release it.

1. Set the **POWER** dial to OFF.
Make sure that the CARD indicator is not flashing before you turn off the camcorder.
2. Push the **OPEN** switch in the direction of the arrow to open the battery/memory card compartment cover.
3. Push the memory card once to release it and then remove the memory card.
4. Close the compartment.



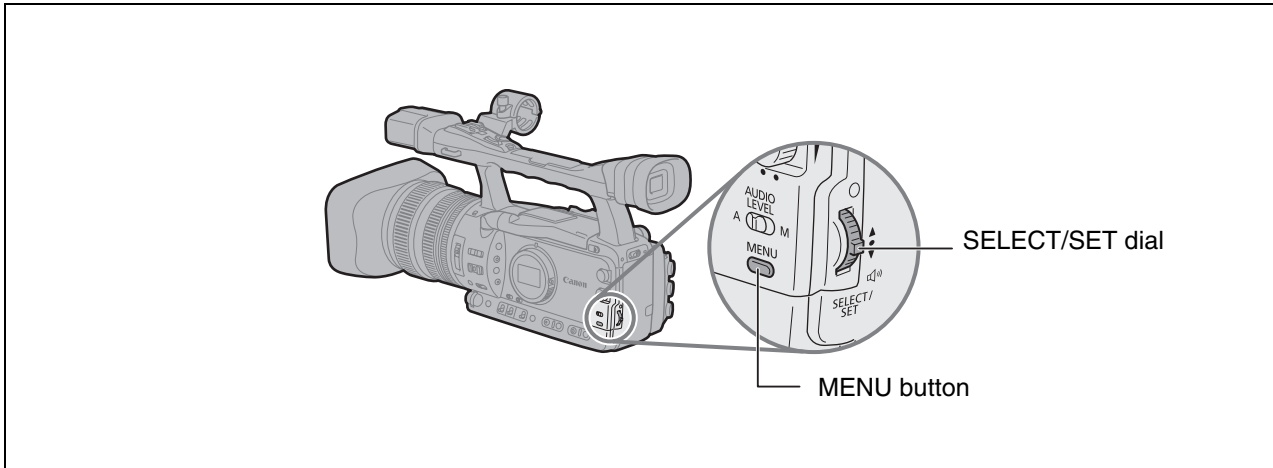
- If you use memory cards other than the supplied one, make sure to initialize them with the camcorder (121).
- Turn off the camcorder before inserting or removing the memory card. Otherwise, it may result in lost data.



- SDHC and SD memory cards have a write-protect switch to prevent their accidental erasure. When this switch is set to the LOCK position, images cannot be recorded on or deleted from the memory card.
- Proper operation cannot be guaranteed for all memory cards.
- **About SDHC Memory Cards:** SDHC (SD High Capacity) is the new type of SD memory cards with capacities over 2 GB. Please note that the specifications of SDHC memory cards are different from those of regular SD cards and you will not be able to use memory cards of over 2 GB with devices that do not support SDHC. However, SDHC devices (including this camcorder) are backward compatible and you can use regular SD cards with them.

Changing Settings with the MENU Button



Many of the camcorder's functions can be changed from the on-screen menu.



Selecting Menus and Settings

1. Press the MENU button to open the menu.
2. Turn the SELECT/SET dial to select a submenu and press the dial.
3. Turn the SELECT/SET dial to select a menu item and press the dial.
4. Turn the SELECT/SET dial to select a setting option and press the dial.
5. Press the MENU button to close the menu.

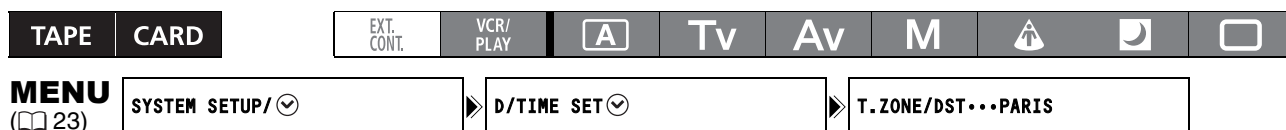


- The , **SET** and **MENU** displays at the bottom of the screen will give you additional indications about what buttons to operate during each menu setting.
- You may find it more convenient to use the wireless controller to operate the menu. Press the MENU button on the wireless controller to open or close the menu. Use the menu selection buttons  of the wireless controller instead of the SELECT/SET dial, and press the SET button on the wireless controller to save the settings or make a selection.
- Unavailable items will appear grayed out.
- Pressing the MENU button at any time closes the menu.

Setting the Time Zone, Date and Time

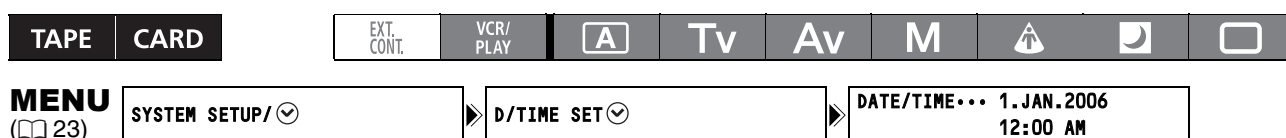
Set the time zone, date and time when you first start using your camcorder, or if the built-in rechargeable battery has completely discharged.

Setting the Time Zone/Daylight Saving Time



1. Press the MENU button.
2. Turn the SELECT/SET dial to select [SYSTEM SETUP/ (checkmark icon)] and press the dial.
3. Select [D/TIME SET (checkmark icon)] and then select [T.ZONE/DST] and press the dial.
The time zone setting appears. The default setting is Paris.
4. Turn the SELECT/SET dial to select the setting option that represents your time zone and press the dial.
To adjust for daylight saving time, select the time zone with the ☀ next to the area.

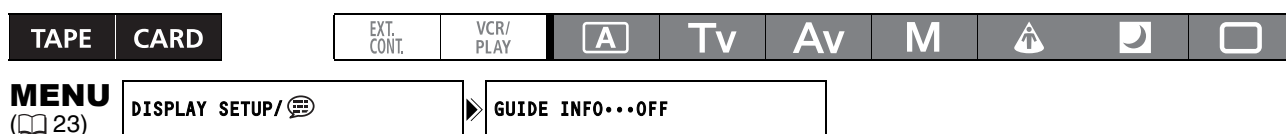
Setting the Date and Time



5. Select [D/TIME SET (checkmark icon)] and press the dial.
The year display starts flashing.
6. Turn the SELECT/SET dial to select the first field of the date, and press the dial.
 - The next part of the display starts flashing.
 - Set the rest of the date and time in the same way.
7. Press the MENU button to close the menu and start the clock.

Displaying the Date and Time while Recording

You can display the date and time in the lower left corner of the screen.



Open the menu and select [DISPLAY SETUP/ (speech bubble icon)]. Select [GUIDE INFO], set it to [D/T DISPLAY] and close the menu.



If you do not use the camcorder for a period of approximately 3 months, the built-in rechargeable battery will discharge completely and the date and time settings will be lost. In that case, recharge the built-in battery (book icon 14) and set the time zone, date and time again.

Recording

Before You Begin Recording

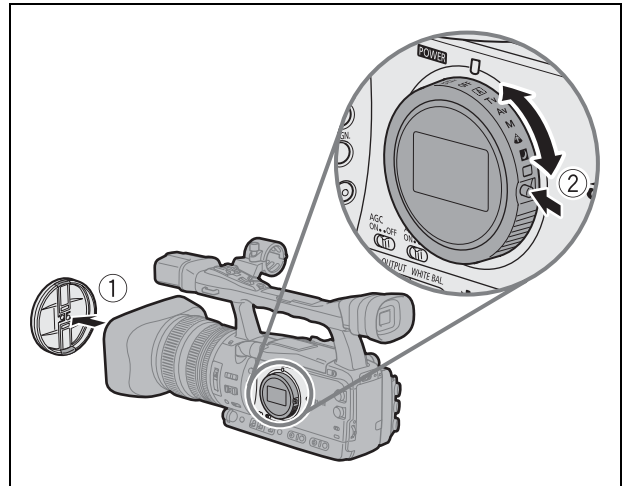
Make a test recording first to check if the camcorder operates correctly. If necessary, clean the video heads (📖 144).

The default recording standard is HDV. About the audio recording, refer to the relevant chapter (📖 43).

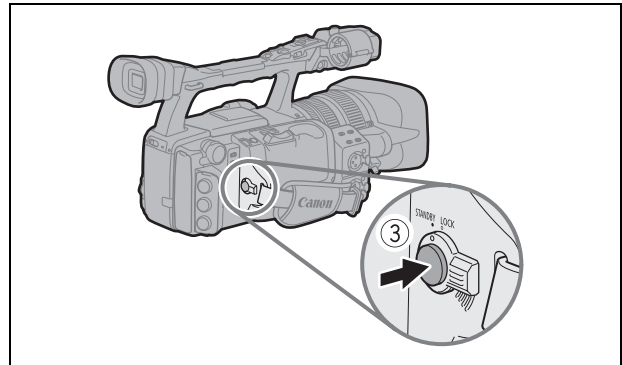
Recording



1. Remove the lens cap.
2. Press the lock button and set the **POWER** dial to a recording program.



3. Press the start/stop button to begin recording.
 - The tally lamp lights up and the recording indicator ● appears on the screen.
 - Press the start/stop button again to pause recording.



When You Have Finished Recording

1. Set the **POWER** dial to OFF.
2. Replace the lens cap.
3. Remove the cassette.
4. Disconnect the power source.




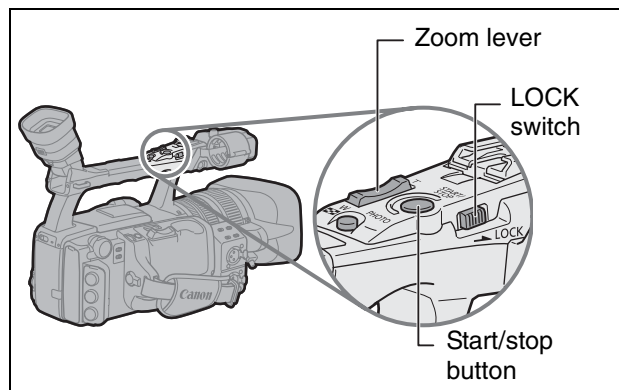
The end search, date search and index search functions may not work correctly if you mix recordings in HDV and DV standards on the same tape. We recommend not mixing recordings in different standards on the same tape.



- After inserting a cassette, wait until the tape counter stops completely before you start recording.
- Turn the **POWER** dial to OFF if you do not intend to use the camcorder for a long time.
- If you do not remove the cassette, you can record the next scene without any noise or blank sections between the recordings even if you turn the camcorder off.

Low-angle Recording

The carrying handle is equipped with a duplicate set of recording and zoom controls, ideal for low-angle recording. Slide the LOCK switch in the direction of the arrow  to prevent the accidental operation of these controls.



Power Saving Mechanisms

STANDBY Lever

Switch the STANDBY lever to the LOCK position to temporarily pause the recording and turn off all displays. In contrast to turning the **POWER** dial to OFF, in the standby mode the camcorder retains the exposure lock settings.

Power Save Function

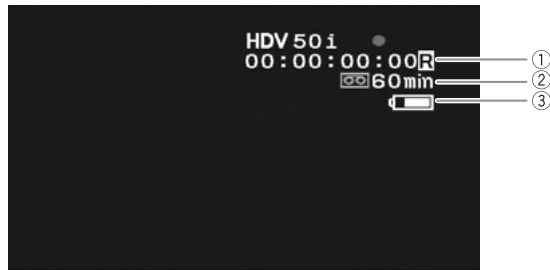
In order to protect the tape and video heads, the camcorder will enter the power save mode (VCR STOP) after 4 minutes 30 seconds in record pause mode. If left 30 more seconds without any operation, the camcorder will automatically shut off. With the customized functions (📖 79) you can also deactivate the power save function if you wish to make adjustments without worrying about losing your settings as a result of the automatic shut-off.

Once the camcorder entered the power save mode, press the start/stop button to start recording or press one of the custom keys (📖 66) to which the [VCR STOP] function was assigned to return to record pause mode. If the camcorder automatically shut off (after 5 minutes), turn the **POWER** to OFF and then back to one of the recording programs.

VCR Stop Function

You can assign the [VCR STOP] function to either one of the two custom keys (📖 66). In VCR stop mode the camcorder is only partially turned off: The camera section is powered normally while the recorder section is shut off. When you press the assigned custom key, you can make adjustments to the camera section as long as necessary without worrying about the power save function's 5-minute timer. To return to record pause mode, press the custom key to which the [VCR STOP] function was assigned.

Screen Displays while Recording



① Time code

Indicates the recording time in hours, minutes, seconds and frames.

② Remaining tape

Indicates the remaining time of the tape in minutes. “END” will appear when the tape reaches the end.

- When the time left is less than 15 seconds, the remaining tape time may not appear.
- Depending on the tape, the indication may not be displayed correctly.

③ Remaining battery charge

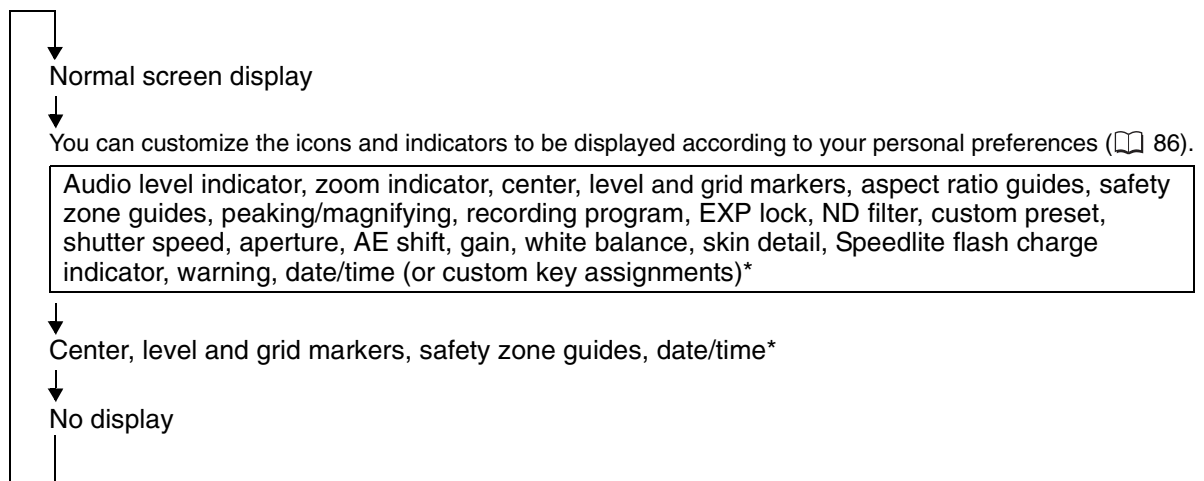
The battery symbol indicates the charge status of the battery pack.



- “END” starts flashing in red when the battery pack is empty.
- When you attach an empty battery pack, the power may turn off without displaying “END”.
- The actual battery charge may not be indicated accurately depending on the condition under which the battery pack and camcorder are used.

Selecting the On-Screen Displays

You can select the amount of information shown on the screen from full, partial or no display. Repeatedly pressing the DISP. button will cycle through the options in the following sequence.



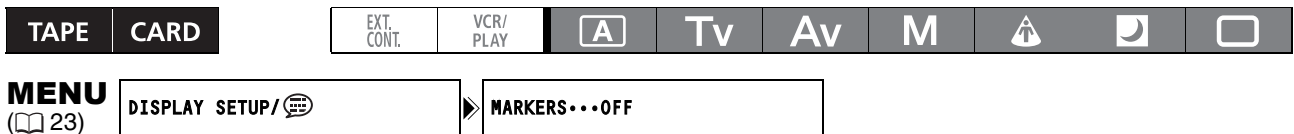
* If [GUIDE INFO] is set to [D/T DISPLAY], the date and time will be displayed; if it is set to [CUSTOM KEYS], the functions currently assigned to the custom keys will be displayed instead.



The camcorder's on-screen displays will also appear on a connected external TV or monitor.

Displaying the Markers

You can display the on-screen markers to help you accurately frame your subject. Select from a center marker, a horizontal level marker or a grid. You can also adjust the intensity of the markers display (84).



Open the menu and select [DISPLAY SETUP/...]. Select [MARKERS], set it to [CENT. MARK.], [LEVEL MARK.] or [GRID] and close the menu.

Displaying the Aspect Ratio Guides

Use the aspect ratio guides as an indication to accurately frame subjects. You can select to display the aspect guides for 4:3, 13:9, 14:9, 1.66:1, 1.75:1, 1.85:1 or 2.35:1 (Cinemascope).



Open the menu and select [DISPLAY SETUP/...]. Select [ASPECT GUIDE], select a setting option and close the menu.

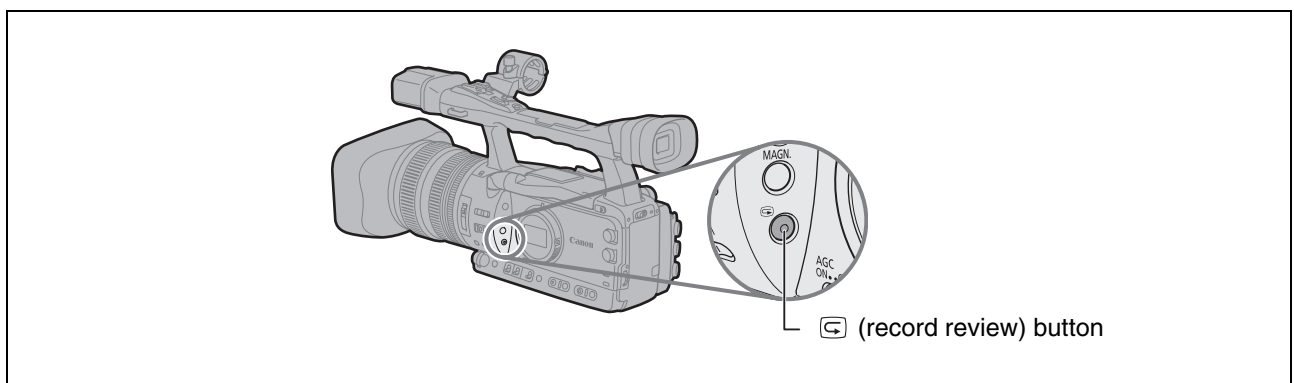
Displaying the Safety Zone Guide

The safety zone guide shows a frame including 80% or 90% of the screen area. Use it as an indication to accurately frame subjects.



Open the menu and select [DISPLAY SETUP/...]. Select [SAFETY ZONE], set it to [80%] or [90%] and close the menu.

Reviewing the Recording



In record pause mode, this function allows you to review the last few seconds of your recording.

Press and release the  (record review) button.

The camcorder rewinds the tape, plays back the last few seconds, and returns to record pause mode.



If the current video signal standard is different from the signal standard in which the tape was recorded, the recording will not be played back correctly.

Selecting the Signal Standard and Aspect Ratio

You can select the signal standard of your recording (high definition or standard definition) and, for standard definition recordings, also the aspect ratio of the recording. Since the displays on the camcorder have an aspect ratio of 16:9, when you select [SD4:3] the picture will appear in the center of the screen with black sidebars.



Open the menu and select [SIGNAL SETUP]. Select [SIGNAL STD], select a setting option and select [YES] to confirm the selection and close the menu.

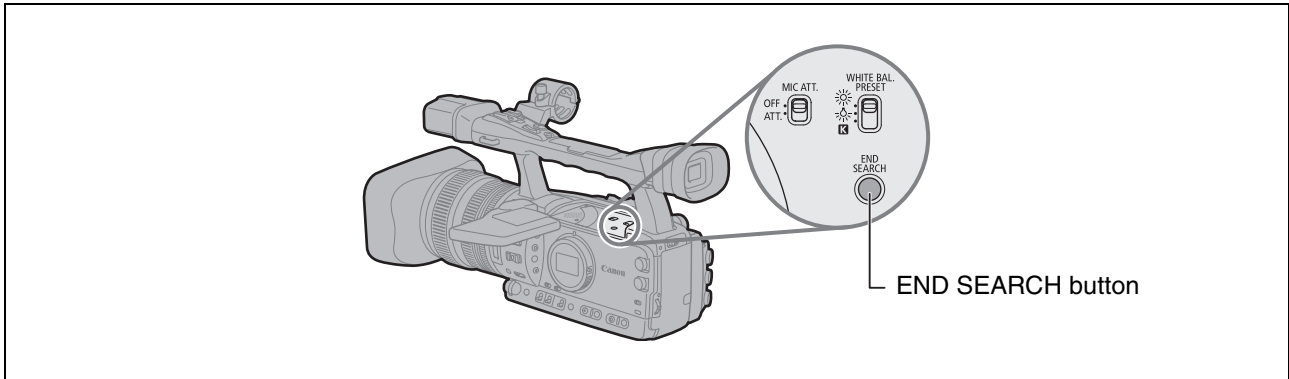
- [HD]: To record on the tape in HDV standard or to use the camcorder as a high-definition (HD) camera.
- [SD16:9], [SD4:3]: To record on the tape in DV standard or to use the camcorder as a standard-definition (SD) camera. Select the aspect ratio as desired.



To play back recordings made with a 16:9 aspect ratio change the settings of the TV as necessary (refer to the instruction manual of the connected TV). To play back widescreen recordings on a TV set with 4:3 aspect ratio, change the [LETTERBOX] setting accordingly (95).

Locating the End of the Last Scene

You can use this function to locate the end of the last recorded scene.



Press the END SEARCH button.

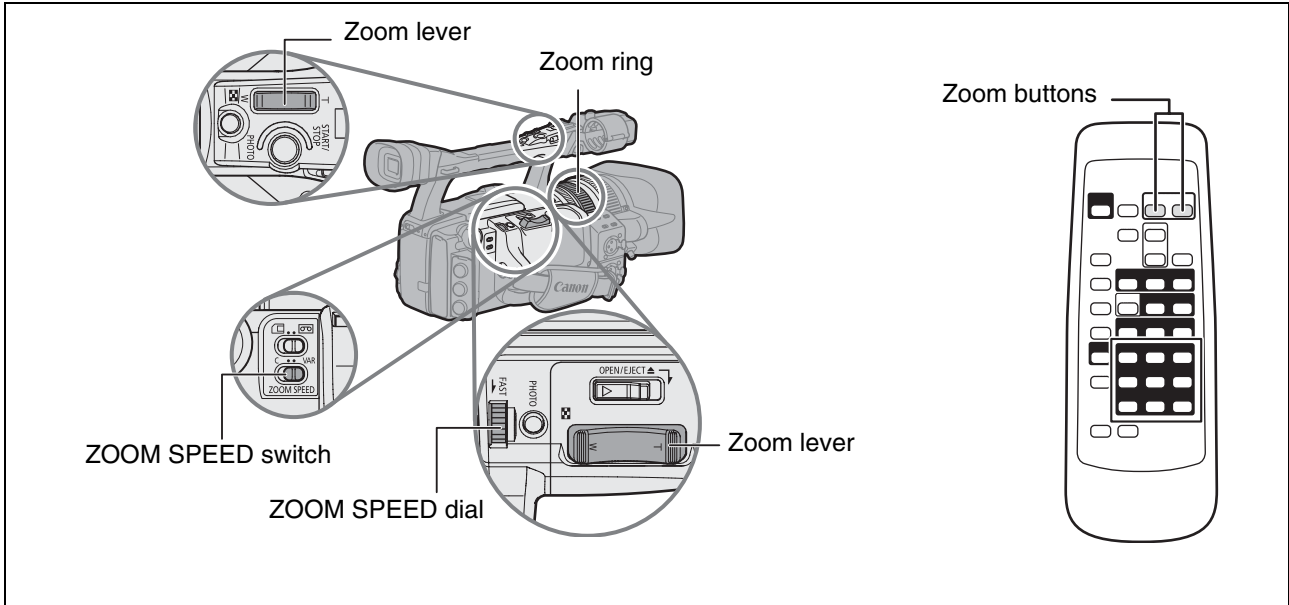
- **→|** appears.
- The camcorder rewinds/fast forwards the tape, plays back the last few seconds of the recording and stops the tape.
- Pressing the button again cancels the search.



- The end search function cannot be used once you unload the cassette.
- The end search function may not work correctly if there is a blank section between recordings on the tape or if you mix recordings in HDV and DV standards on the same tape.

Zooming

You can operate the zoom from either the side grip or the carrying handle. You can also use the zoom ring on the lens or the zoom buttons on the wireless controller. With the customized functions (79) you can change the direction of the adjustment when you turn the zoom ring, turn the high-speed zoom on/off or change the zoom indicator to a graphic bar or a numeric value display.



Move the zoom lever toward **W** to zoom out (wide-angle). Move it toward **T** to zoom in (telephoto).

About the Variable Zoom Speeds

Zoom lever on the side grip:

When the ZOOM SPEED switch is set to C (constant), the zoom speed itself does not change, but you can select one of 16 levels of zoom speed with the ZOOM SPEED dial (a number indicating the level will be displayed next to the zoom indicator).

When the ZOOM SPEED switch is set to VAR (variable), the zoom speed will depend on how you operate the zoom lever: Pressing gently will result in a slower zoom; pressing harder in a faster zoom.

Zoom speed (from wide-angle to telephoto):

C: Level 1: approx. 60 seconds VAR: approx. 2.6*–60 seconds
 Level 16: approx. 2.6* seconds

* If the custom function [HIGH-SPEED ZOOM] is set to [ON], the zoom speed will be approx. 1.5 seconds instead. In **CAMERA·CARD** mode the zoom speed will be approx. 1.5 seconds, regardless of the custom function setting.

Zoom ring:

The zoom speed depends on how fast you turn the zoom ring.

Zoom buttons on the carrying handle:

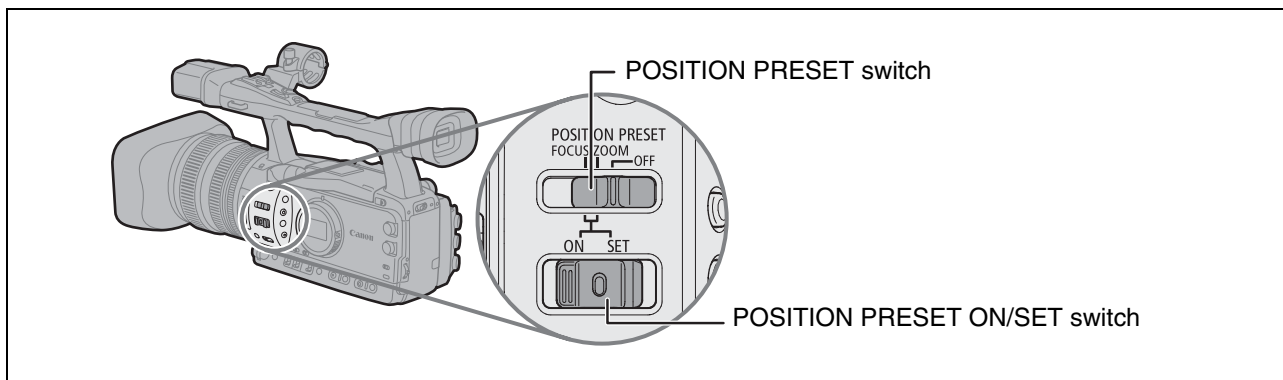
The zoom speed itself does not change, but it can be set to one of 16 levels with the ZOOM SPEED dial. This is the same zoom speed setting as when the ZOOM SPEED switch is set to C.

Zoom buttons on the supplied wireless controller:

The zoom speed is constant and cannot be adjusted.

Zoom Preset

This function enables any given zoom setting to be memorized and to return to that zoom setting instantly.



Presetting the Zoom



1. Set the POSITION PRESET switch to ZOOM.

2. Move the POSITION PRESET ON/SET switch to SET.

The preset zoom position appears in yellow on the zoom indicator.

Returning to the Preset Zoom Position

Move the POSITION PRESET ON/SET switch to ON.

The camcorder returns to the preset zoom position.



To return to the preset zoom position the camcorder uses the speed set for the constant zoom speed (when the ZOOM SPEED switch is set to C).

Adjusting the Focus

The camcorder can be set to Autofocus or Manual Focus.

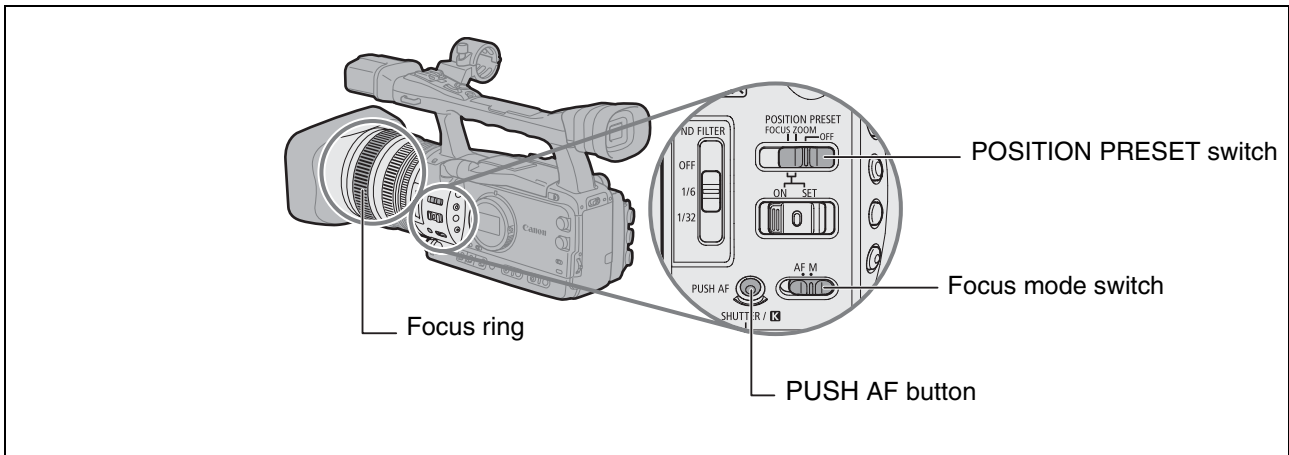
Autofocus

The autofocus can be set to Normal AF or Instant AF*. The camcorder has also a Push-AF function to allow for a temporary autofocus while focusing manually. When you operate the PUSH AF button, the Instant AF is activated, regardless of the current setting of the AF mode.

Manual Focus

With the customized functions (📖 79) you can change the direction of the adjustment when you turn the focus ring and its response sensitivity ([NORMAL] or [SLOW]). To make it easier to focus manually, you can also make use of the Peaking and Magnifying display functions (📖 35).

* The Instant AF function can also be used combined with the Push-AF function so you can obtain a very fast initial automatic focus even while focusing manually.

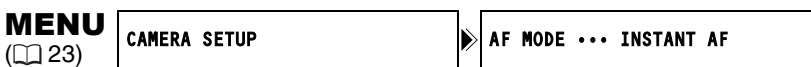


Autofocus

The autofocus is set when the focus mode switch is set to AF. The camcorder uses the TTL autofocus system with a focusing range of 2 cm (at wide-angle from the front of the lens barrel) to ∞.

The camcorder focuses on the subject in the center of the screen.

Follow the procedure below to change the autofocus mode.



Open the menu and select [CAMERA SETUP]. Select [AF MODE], select a setting option and close the menu.

[INSTANT AF]: The focus is adjusted at the highest speed. This mode is useful even when recording in very bright or low-light surroundings. The TTL system and the external sensor are both used for focusing.

[NORMAL AF]: The autofocus adjustment is made at a stable speed. Only the TTL system is used in this mode making it appropriate for use also with the optional Wide Converter attached.

Temporary Focus Override

Even while in autofocus mode, turn the focus ring to temporarily focus manually.

The camcorder will return to autofocus as soon as you release the focus ring.

Temporary Instant AF

During manual focus or Normal AF, press the PUSH AF button and hold it pressed down.

The autofocus (Instant AF) is activated as long as you hold the PUSH AF button pressed down.

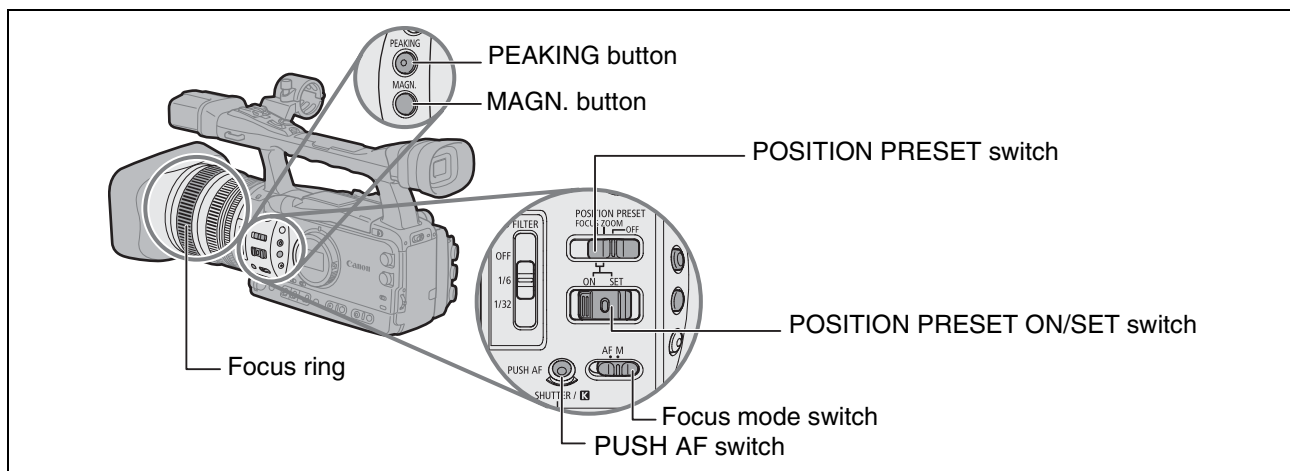


When recording under bright conditions, the camcorder sets a small aperture value, and the picture may appear blurred. Turn the built-in ND filter on/off according to the screen display (37).



- When you attach the optional Wide Converter to the camcorder, set the camcorder to a recording mode other than Easy Recording and set the autofocus mode to Normal AF. Also, avoid using the Push AF function.
- In 25F mode, autofocus takes longer than in the 50i mode.
- When recording under dark conditions, the focusing range narrows and the picture may appear blurred.
- Autofocus may not work well on the following subjects. In that case, focus manually.
 - Reflective surfaces
 - Subjects with low contrast or without vertical lines
 - Fast moving subjects
 - Through dirty or wet windows
 - Night scenes

Manual focus



1. Set the focus mode switch to M.

"MF" is displayed on screen.

2. Zoom in to telephoto.

3. Turn the focus ring to adjust the focus.

With the customized functions (79) you can change the direction of the adjustment when you turn the focus ring and its response sensitivity ([NORMAL] or [SLOW]).

4. Operate the zoom to reframe the subject.

If you focus manually and then leave the camcorder with the power turned on, you may lose the focus on your subject. This possible slight shift in focus is a result of the internal temperature rising in the camcorder and lens. Check the focus before resuming shooting.



- The manual focus cannot be selected in the Easy Recording mode. Even if you set the focus mode switch to M, the autofocus (Instant AF) will still be activated.
- The focal distance to the subject will be displayed for approx. 3 seconds when you switch from autofocus to manual focus or when you operate the focus ring in the manual focus mode. It will also be displayed with the focus preset. With the customized functions (📖 79) you can change the units for the distance display (meter or feet) and with the custom display (📖 86) you can select when to display this information (always, never, or only upon the operation of the focus ring).
- Use the distance display as an estimate.
∞: Infinity focus ∞-: Over infinity focus

Using the Focus Assist Functions (Peaking and Magnifying)

In order to make manual focusing easier, you can use two assist functions: Peaking emphasizes the outlines of the subject creating a clearer contrast, and Magnifying enlarges the image on the screen. You can also combine both for a greater effect. With the customized functions (📖 79) you can set the display to change automatically to black & white while using the focus assist functions.

Peaking

While recording or in record pause, press the PEAKING button.

- The outlines of the subject will be emphasized.
- Press the button again to cancel the function.

Magnifying

In record pause, press the MAGN. button.

- The central part of the screen will be magnified approximately 2x.
- Press the button again to cancel the function.



- The Peaking and Magnifying functions will not affect your recordings. However, the magnified picture will be output as is to the HD/SD SDI terminal (**XHGi** only) and the HDV/DV terminal.
- The Magnifying function will be canceled as you start recording.
- You can use the custom keys (📖 66) to prevent the accidental operation of the MAGN. button. With the customized functions (📖 79) you can also change the operation of the MAGN. button (normal or long press).

Focus Preset

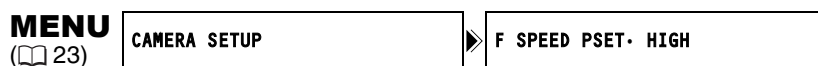
This function enables a focus setting to be memorized and to return to that focus setting instantly. You can also select the speed at which the camcorder returns to the preset focus setting.

Presetting the Focus



- 1. Set the focus mode switch to M.**
“MF” appears.
- 2. Set the POSITION PRESET switch to FOCUS.**
The focus preset speed currently selected appears.
- 3. Adjust the focus with the focus ring.**
- 4. Move the POSITION PRESET ON/SET switch to SET.**
“MF” and the focus preset speed display turn yellow.

Setting the Focus Preset Speed



Open the menu and select [CAMERA SETUP]. Select [F SPEED PSET], select a setting option and close the menu.

The selected speed appears next to "MF".

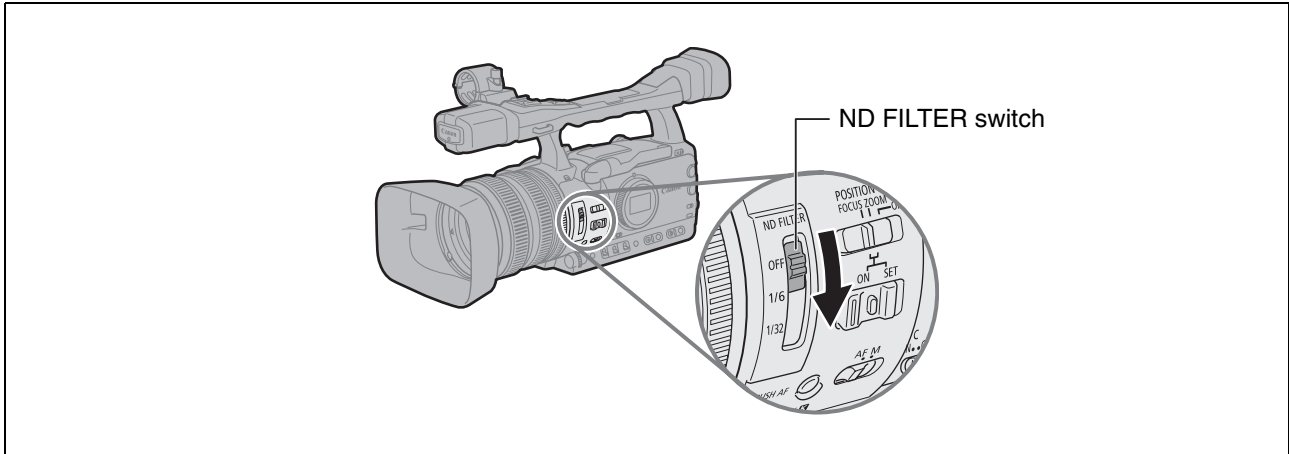
Returning to the Preset Focus Setting

Move the POSITION PRESET ON/SET switch to ON.

The camcorder returns to the preset focus setting.

Using the ND Filter

When recording in bright surroundings, the camcorder will set a small aperture value and the picture may appear blurred. Turn the ND filter on/off according to the screen display.



When using a recording program other than **M** Manual and if the AGC switch is set to ON, the following displays appear:

Screen display	What it means	What you should do
No display	ND filter is not activated	-
"ND"	ND filter is activated	-
"ND ON " flashes	ND filter required	Turn on the ND filter
ND " ON " flashes	Higher density or external ND filter required	Select a higher density built-in ND filter or attach an external ND filter to the lens*
ND " OFF " flashes	Built-in ND filter not required	Turn off the ND filter
"ND" flashes in red	Built-in ND filter incorrect setting	Set the ND FILTER switch to an appropriate density

* If you have no external ND filter available, use the Tv mode and set a high shutter speed, or use the Av mode and set a small aperture value.



Depending on the scene, the color may change when turning the ND filter on/off. In such case, setting a custom white balance may be effective (59).

Selecting the Frame Rate

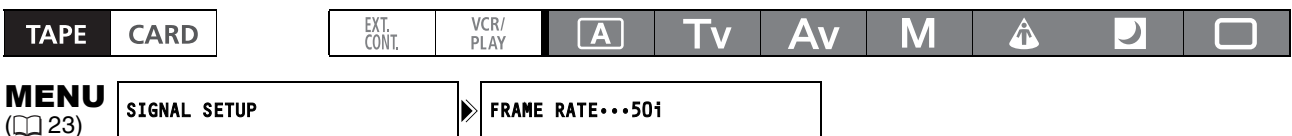
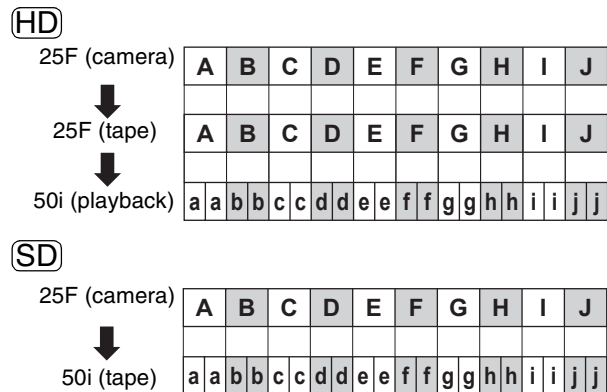
You can select from the standard 50i and 25F frame rates regardless of the recording mode.

50i Mode

Records in 50 fps interlaced mode, the same as standard-definition TV signals.

25F Mode

Records in 25 fps progressive mode and outputs signals converted into 50 fps interlaced. Video output from the HDV/DV terminal will be in 25p.



Open the menu and select [SIGNAL SETUP]. Select [FRAME RATE], select a setting option and select [YES] to confirm the selection and close the menu.

The selected frame rate appears on-screen.



Video recorded in 25F can only be played back with compatible devices and can only be edited with software that supports 25F. For software and hardware compatibility consult the relevant customer support.

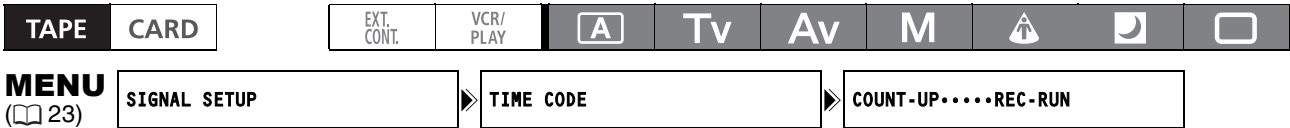
Setting the Time Code

You can select the running mode of the camcorder's time code. You can enter the initial value for the [FREE-RUN] and the [REC-RUN PS.] settings.

[REC-RUN]: The time code runs only when recording.

[REC-RUN PS.]: The time code runs only when recording starting from a preset value.

[FREE-RUN]: The time code runs regardless of the operation of the camcorder.



1. Open the menu and select [SIGNAL SETUP]. Select the [TIME CODE] submenu and then [COUNT-UP]. Select a setting option and close the menu.

[REC-RUN]: Close the menu.

[REC-RUN PS.], [FREE-RUN]: Continue the procedure below to set the initial value.

2. Select [SET].

The hours display flashes.

3. Set the time code's initial value.

Turn the SELECT/SET dial to set the value for the hours and press the dial. The next field of the display starts flashing. Set the value for the minutes, seconds and frames in the same way.

4. Close the menu.



○ About the time code display

- [REC-RUN]: The time code will be displayed with an **R** next to it.
 - [REC-RUN PS.]: The time code will be displayed in blue with a **P** next to it.
 - [FREE-RUN]: The time code will be displayed in blue with an **F** next to it.
 - External Time Code: The time code will be displayed in blue with an **E** next to it.
 - Time Code Hold: The time code will be displayed with an **H** next to it.
 - Playback: No time code display.
- When you select [FREE-RUN], the time code starts to run the moment you press the MENU button in the middle of the setting, or when you press the SELECT/SET dial after setting the value for "frames" in step 3.
 - To reset the time code to [00:00:00:00], select [RESET] in step 2.
 - When recording over existing scenes: When a time code discontinuity occurred near the recording start point, the time code at the point where the recording starts may be discontinuous.
 - As long as the built-in rechargeable lithium battery is charged, the free-run time code continues to run even if you disconnect the battery pack.

XHG1

Synchronizing the Camcorder's Time Code

You can synchronize this camcorder's time code to an external time code generator. Also you can include in the recording the user bit signal received from the TIME CODE terminal (42). The camcorder offers the following synchronization options.

Genlock

When a reference sync signal (analog blackburst or tri-level signal) is input through the GENLOCK terminal, the V and H phases of the camcorder's time code will be automatically synchronized to it.

Time Code IN

Set the TIME CODE switch to IN to start the Time Code IN mode.

An external SMPTE-standard LTC timing signal received from the TIME CODE terminal will be recorded as the time code on the tape. The user bit of the external timing signal can also be recorded on tape.

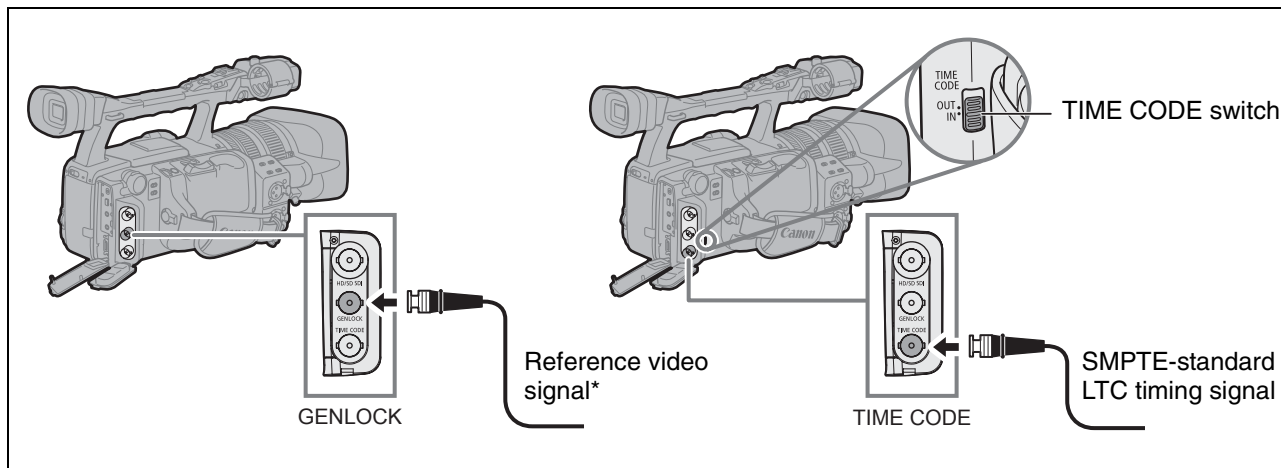
Time Code OUT

Set the TIME CODE switch to OUT to start the Time Code OUT mode.

The camcorder's internal time code is sent out from the TIME CODE terminal as a standard LTC timing signal. When you set [SDI OUTPUT] to [ON] the time code data will also be output through the HD/SD SDI terminal.

	CAMERA	VCR/PLAY	CAMERA · CARD	VCR/PLAY · CARD
Genlock	●	—	●	—
Time Code/User bit IN	●	—	—	—
Time Code OUT	●	●	—	—

Connection Diagram



* As a reference video signal input you can use either an HD Y signal or a PAL composite video signal.



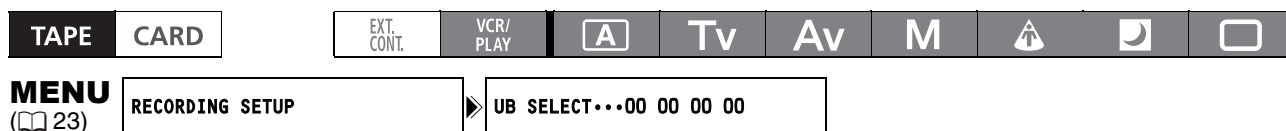
- While a time code signal is being received, the [COUNT-UP] setting of the camcorder will be ignored and the external time code's drop-frame bit will be used instead.
- Once the Genlock or Time Code IN synchronization stabilizes (after approx. 10 seconds), the external time code lock will be retained even if you disconnect the cable from the TIME CODE terminal. However, if you perform one of the following while the cable is disconnected, the time code will lag slightly; the correct time code will be restored once you reconnect the cable.
 - Turn the camcorder off/on.
 - Change the **POWER** dial to a mode other than **VCR/PLAY**.
 - Change the position of the **□/□** (card/tape) switch.
 - Change the [SIGNAL STD] or [FRAME RATE] setting.

- If the external time code signal is incorrect or there is no input signal, the internal time code (according to the [TIME CODE]/[COUNT-UP] settings) will be recorded on the tape instead.
- If the external Genlock signal is incorrect or there is no input signal, the external time code being recorded on tape may be incorrect.
- When the camcorder is set to HD standard, Genlock synchronization is possible even if the external Genlock signal is in SD standard. However, the Genlock synchronization will not be possible if the external Genlock signal is in HD standard but the camcorder is set to SD standard.
- The phase difference between the external Genlock signal and the camcorder is initially set to 0; it can be adjusted within the range of approx. ± 0.4 H (-1023 to +1023) with the [GENLCK ADJUST] setting (📖 124).
- Genlock synchronization is not possible when the camcorder is set to HD standard and [SDI SPEC.] is set to [SD LOCKED].
- About the Side LCD Panel Indications
 - "GENLOCK" will flash until the synchronization stabilizes and will stay on once the phase synchronization has stabilized.
 - "TC-(IN OUT)" indicates that the Time Code IN or Time Code OUT synchronization is available with the TIME CODE switch.
 - "EXT-LOCK" indicates that the camcorder has locked on to an external time code signal.

Setting the User Bit

The user bit display can be selected from the date or the time of recording, or an identification code consisting of 8 characters in the hexadecimal system that is useful for labeling tapes. There are sixteen possible characters: the numbers 0 to 9 and the letters A to F.

XHGT If a user bit is being received along with an external time code, you can also choose to record the external user bit on tape.



1. Open the menu and select [RECORDING SETUP]. Select [UB SELECT], select a setting option and press the SELECT/SET dial.

If you selected [00 00 00 00], the user bit set/reset options appear; continue with the procedure below. Otherwise, close the menu.

If you selected [00 00 00 00]:

2. Select [SET].

The first character of the user bit flashes.

3. Turn the SELECT/SET dial to select a number or letter and press the dial.

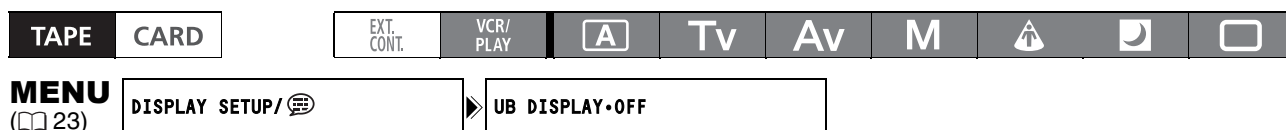
The next character of the user bit starts flashing. Set the rest of the user bit in the same way.

4. Close the menu.



- To reset the user bit to [00 00 00 00], select [CLEAR] in step 2.
- The user bit can be recorded when recording with the camcorder or from analog devices. The user bit set in the camcorder cannot be recorded when recording from digital devices (DV or HDV).

Displaying the User Bit



Open the menu and select [DISPLAY SETUP/]. Select [UB DISPLAY], set it to [ON] and close the menu.

Recording an External User Bit



Open the menu and select [RECORDING SETUP]. Select [UB REC], select [EXT.USR-BIT] and close the menu.

Audio Recording

You can select to record audio from the built-in microphone or from an external microphone connected either to the MIC terminal or to the XLR terminal.

XHGT While recording, the sampling frequency of the output signal from the HD/SD SDI terminal will be 48 kHz regardless of the audio input.

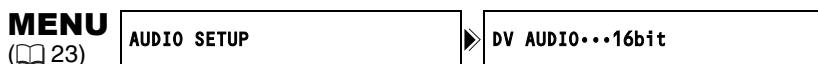


(HDV) The audio transfer rate is 384 Kbps and the sampling frequency is 48 kHz.

(DV) You can choose to record in 16 bit audio mode (sampling frequency 48 kHz), or 12 bit audio mode (sampling frequency 32 kHz).

- In 12 bit audio mode, only audio channels 1 and 2 are used for recording, leaving the adjacent channels available for adding a new audio track.
- Audio cannot be dubbed using this camcorder.
- Audio recorded with this camcorder is "locked" audio except for the audio recorded from an analog input or from a digital input if you select the Unlock mode.

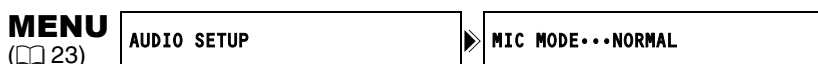
(SD) Selecting the DV Audio Mode



Open the menu and select [AUDIO SETUP]. Select [DV AUDIO], select a setting option and close the menu.

Selecting the Microphone's Audio Recording Mode

You can select the most appropriate setting, given your recording conditions, for recording audio with the built-in microphone.



Open the menu and select [AUDIO SETUP]. Select [MIC MODE], select a setting option and close the menu.

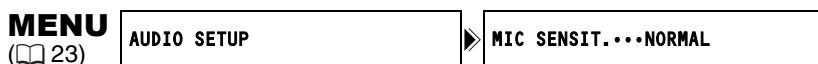
[NORMAL]: To record audio under usual conditions.

[VOICE]: To record mainly people's voices.

[WS]: To reduce the background sound of wind when recording outdoors in windy surroundings (for example, on a beach or close to buildings). Note that when you use the wind screen some low-frequency sounds may be suppressed along with the sound of wind.

Selecting the Sensitivity of the Built-In Microphone

You can change the sensitivity of the built-in microphone to [NORMAL] or [HIGH] (+6 dB) to match the recording conditions.

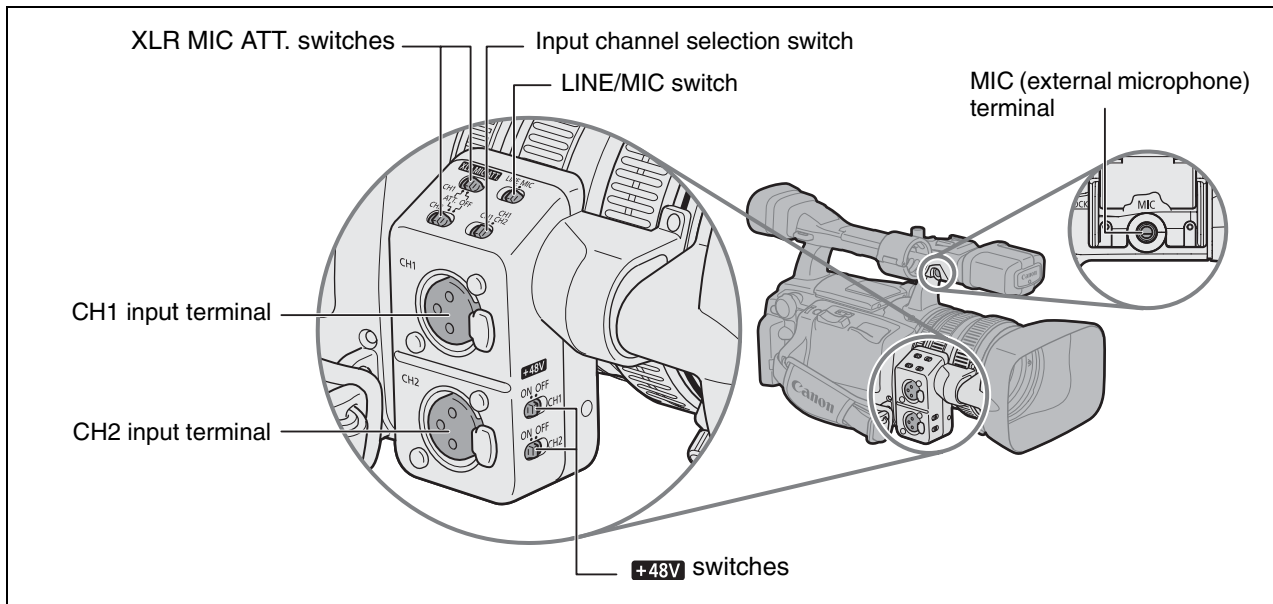


Open the menu and select [AUDIO SETUP]. Select [MIC SENSIT.], select a setting option and close the menu.

[NORMAL]: To record audio under usual conditions.

[HIGH]: To record audio at a higher volume.

Using an External Microphone



Connecting to the MIC terminal

When you connect an external microphone to the MIC terminal, the built-in microphone will automatically be turned off. If necessary, you can use the microphone holder.

External Microphones that can be Connected

Microphone Type: Condenser microphones with independent power supply.

Type of Plug: \varnothing 3.5 mm
 Input Impedance: 600 ohms
 Sensitivity: -64 dBV (automatic audio level setting)
 Microphone Holder Diameter: \varnothing 25 mm or less

Connecting to the XLR terminal



1. Activate the XLR input: Open the menu and select [AUDIO SETUP]. Select [XLR INPUT], set it to [ON \rightarrow XLR] and close the menu.

2. Connect a microphone to one of the XLR terminals.

- To supply a microphone with phantom power, set the corresponding **+48V** switch to ON.
- Make sure to connect the microphone first, before turning on the phantom power. Keep the microphone connected when turning off the phantom power.
- Use commercially available microphones with a cable no longer than 3 m.

3. Set the input channel selection switch to CH1 or CH1·CH2.

XLR input terminal	Position of the input channel selection switch	Recorded channel
CH1	CH1	Channel 1
	CH1·CH2	Channel 1+ Channel 2
CH2	CH1	Channel 2
	CH1·CH2	---

4. Set the LINE/MIC switch to the appropriate position depending on the input signal.

The setting of the LINE/MIC switch applies simultaneously to channels 1 and 2.

5. If necessary, turn on the microphone attenuator (20 dB) by setting the **XLR MIC ATT switch to ATT.**

Only effective when the LINE/MIC switch is set to MIC.

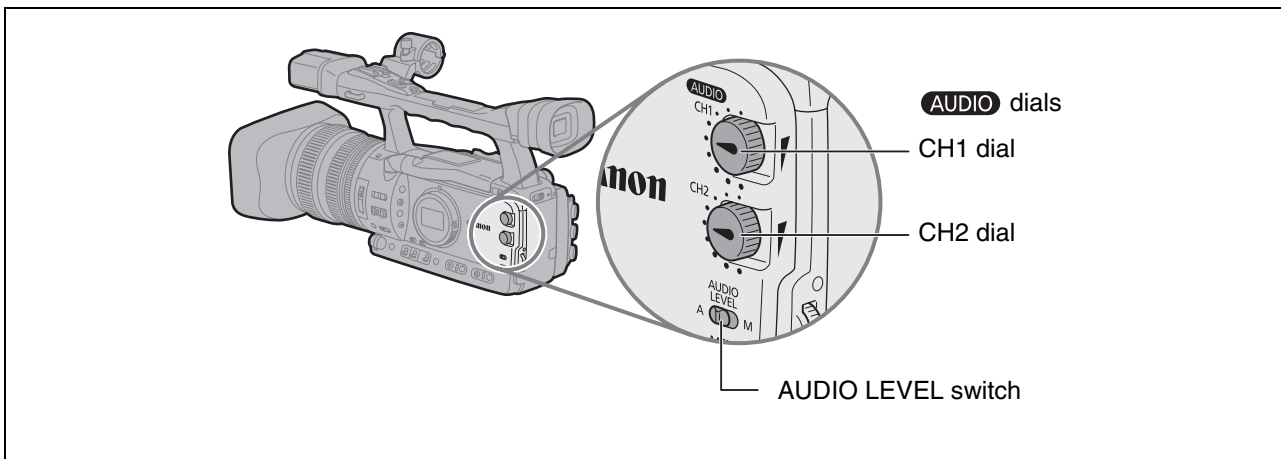
- 6. If necessary, turn on the gain up (12 dB): Open the menu and select [AUDIO SETUP]. Select [XLR GAIN UP], set it to [12dB] and close the menu. Only effective when the LINE/MIC switch is set to MIC.



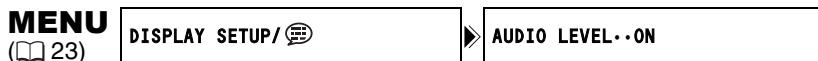
When connecting a microphone that does not support phantom power, make sure to set the +48V switch to OFF. Otherwise the microphone may be damaged.

Adjusting the Audio Recording Level

If the audio level is too high and the sound sounds distorted, activate the microphone attenuator (12 dB with the internal microphone, 20 dB with an external microphone) by setting the MIC ATT. switch (built-in microphone/external microphone connected to the MIC terminal) or the XLR MIC ATT switch (external microphone connected to the XLR terminal) to ATT.



Hiding/Displaying the Audio Level Indicator



Open the menu and select [DISPLAY SETUP/ [speech bubble icon]]. Select [AUDIO LEVEL], select a setting option and close the menu.

The audio level indicator can also be turned on/off with the custom key (66).

Automatic Audio Adjustments

Set the AUDIO LEVEL switch to A.



When recording audio using the built-in microphone with the AUDIO LEVEL switch set to A you can change the microphone's sensitivity (43).

Manual Audio Adjustments

1. Set the AUDIO LEVEL switch to M.
2. Turn the corresponding AUDIO dial (CH1 or CH2) to adjust each channel's audio level.



- We recommend using headphones when adjusting the audio level. If the input level is too high, audio may become distorted even if the audio level indicator shows an appropriate level. Use commercially available headphones with a cable no longer than 3 m.
- You can select to synchronize the audio signal with the video signal by adding an equal amount of delay to the audio. Open the menu and select [AUDIO SETUP]. Select [AUD.M.SET], set it to [LINE OUT] and close the menu. If you wish to monitor audio in real time, select [NORMAL] instead. In either setting, the audio and video signals recorded on the tape will be synchronized.

XHGT1 Embedded Audio

Embedded audio refers to the superimposing of the audio signal along with the video signal being output from the HD/SD SDI terminal.



Open the menu and select [SIGNAL SETUP]. Select [SDI OUTPUT], set it to [ON] and close the menu.

- The embedded audio output will differ depending on the signal standard and the sampling frequency settings.
- Embedded audio is disabled if the tape is recorded with unlocked audio. , **5/4** or **1/2** will appear on the screen.

CAMERA

Signal Standard	Sampling Frequency	Locked/Unlocked Audio	Embedded Audio Output
HD	(48 kHz)	Locked	●
SD	32 kHz (12bit)	Locked	●*
	48 kHz (16bit)	Locked	●

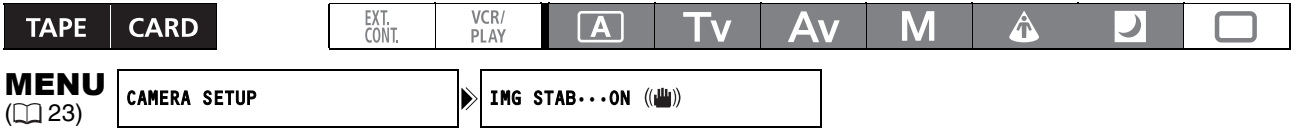
VCR/PLAY

Signal Standard	Sampling Frequency	Locked/Unlocked Audio	Embedded Audio Output
HD	(48 kHz)	Locked	●
SD	32 kHz (12bit)	Locked	●*
		Unlocked	—
	48 kHz (16bit)	Locked	●
		Unlocked	—

* The sampling rate will be 48 kHz.

Image Stabilizer

You can select to activate or turn off the image stabilizer depending on the recording conditions.



Open the menu and select [CAMERA SETUP]. Select [IMG STAB], select a setting option and close the menu.

The image stabilizer cannot be turned off in the Easy Recording mode.



- We recommend turning off the image stabilizer when mounting the camcorder on a tripod.
- The image stabilizer is designed to compensate for a normal degree of camcorder shake.
- **CAMERA·CARD**: The image stabilizer will be activated while half-pressing the PHOTO button to lock the autofocus.

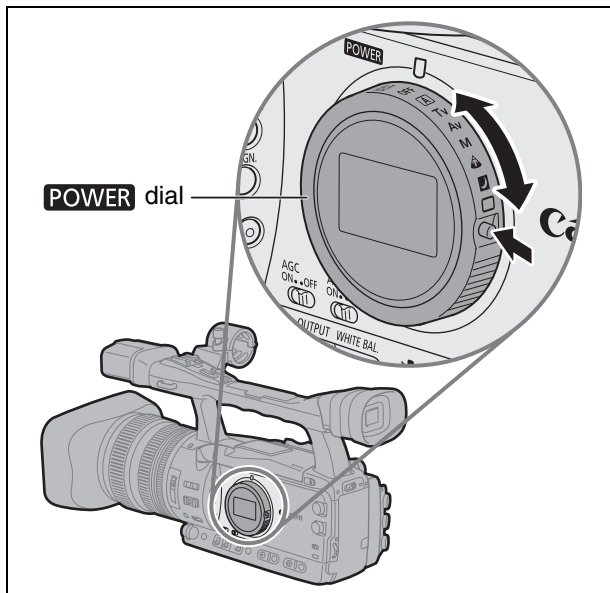
Using the Programmed AE Modes

Programmed auto exposure modes provide advanced automated recording techniques ensuring professional results in various shooting conditions.

Selecting the Programmed AE Modes

Press the lock button and turn the **POWER** dial.

The symbol of the selected mode appears.



- Do not change the mode while recording as the brightness of the image may change abruptly.
- The Easy Recording, Spotlight and Night modes are all-automatic modes. In the Auto, **Tv** Shutter-Priority, **Av** Aperture-Priority and **M** Manual modes you can manually change some settings to match the recording conditions.

Easy Recording

The camcorder automatically controls the focus, shutter speed, aperture, gain, white balance, and AE Shift allowing you to simply point and film. This mode locks all of these features and options, making them fixed and unadjustable.



Auto

Like the Easy Recording mode, the camcorder automatically controls camera adjustments allowing you to simply point and film. However, in the Auto mode you have the option of adjusting the settings manually.



Tv Shutter-Priority (📖 51)

Use this mode to select the shutter speed. The camcorder automatically sets a matching aperture setting.



Av Aperture-Priority (📖 52)

Use this mode to select between 7 aperture settings –from f/1.6 to f/9.5 (or to full iris close)– and the camcorder automatically sets a matching shutter speed. This mode allows for the best control of depth of field.



E

M Manual (📖 53)

This mode offers the creative freedom of a complete range of manual controls. In the Manual mode, you have the option to set the exposure at any combination of shutter speed and aperture levels.



Spotlight

The Spotlight mode automatically adjusts the exposure to effectively record images and/or subjects lit by a spotlight or other concentrated light source.



Night

This mode allows you to continue recording even when light levels begin to fall. The camcorder uses lower shutter speeds (1/3–1/500) to deliver proper exposure.

- Moving subjects may leave a trailing afterimage.
- Picture quality may not be as good as in other modes.
- White points may appear on the screen.
- Autofocus may not work as well as in other modes. In such case, adjust the focus manually.



Recording

Availability of functions in each recording program

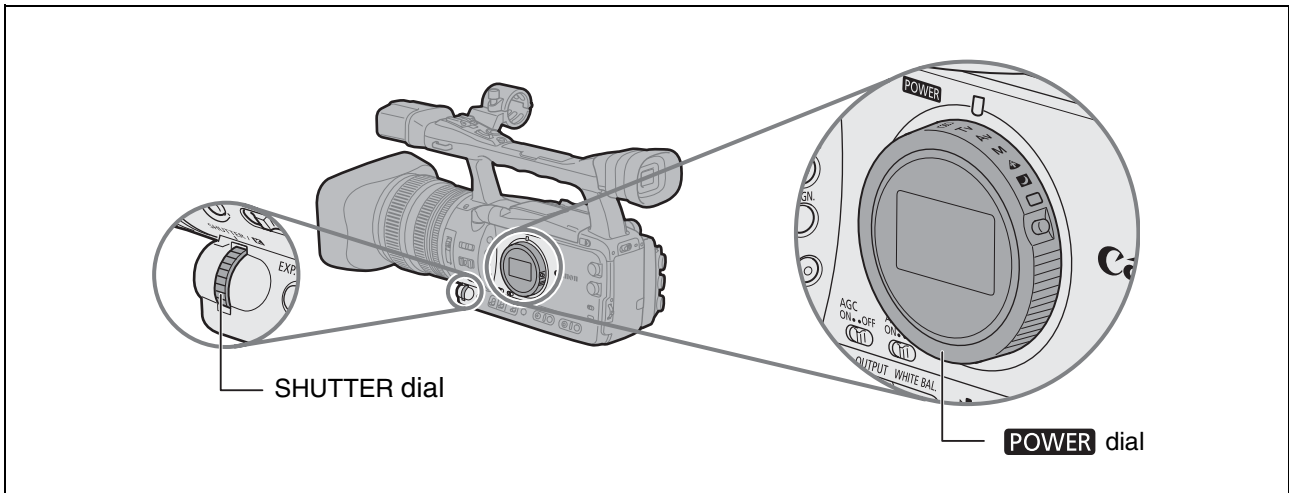
Recording programs			Tv	Av	M		
EXP. LOCK button	–		●		–	–	–
Iris ring	–	– ¹	– ¹	●	●	–	–
SHUTTER dial	–	– ¹	●	– ¹	●	–	–
AE shift adjustment	– (0)		●		–	– (0)	– (0)
GAIN adjustment	– (AGC ON)			●		– (0 dB)	– (AGC ON)
WHITE BALANCE adjustment	– (auto)				●		
Custom preset adjustments	–				●		
CUSTOM PRESET SELECT button	–				●		
CUSTOM PRESET ON/OFF button	–				●		
Skin detail	–				●		
Clear Scan	–	–	● ²	–	● ²	–	–
Frequency selection of Clear Scan	–	–	●	–	●	–	–

¹ Available when the exposure is locked.

² Available during clear scan.

Recording in the Shutter-Priority (Tv) Mode

E



CAMERA 1/3, 1/6, 1/12, 1/25, 1/50, 1/120, 1/250, 1/500, 1/1000, 1/2000, 1/4000, 1/8000, 1/16000, CS (clear scan)

CAMERA·CARD 1/3, 1/6, 1/12, 1/25, 1/50, 1/120, 1/250, 1/500



1. Set the **POWER** dial to Tv.

2. Select the shutter speed with the **SHUTTER** dial.

With the customized functions (📖 79) you can change the direction of the adjustment when you operate the SHUTTER dial.

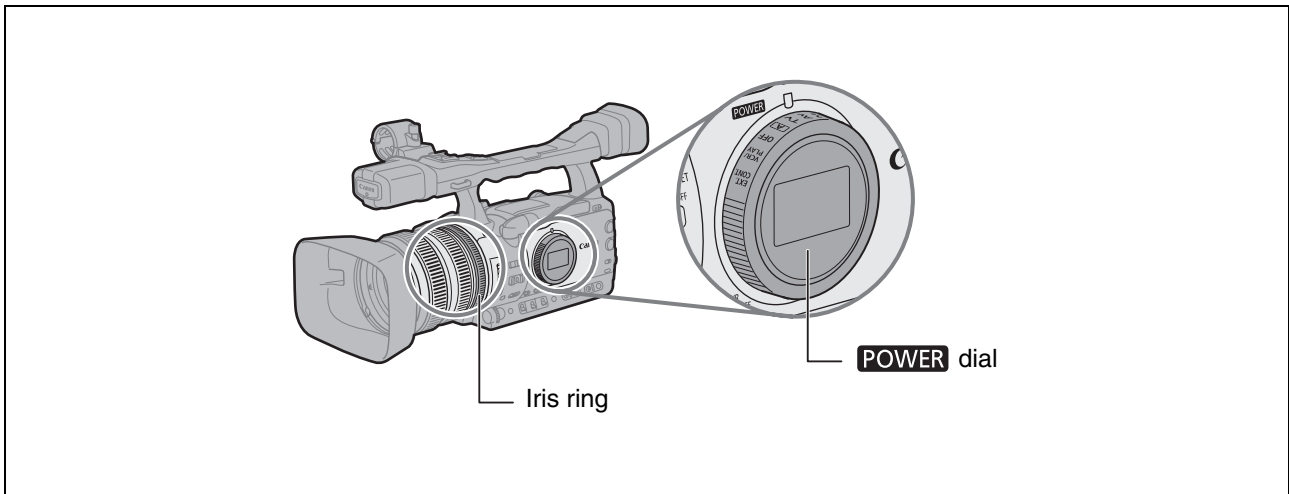


- Settings other than the shutter speed (aperture, etc.) are adjusted automatically.
- The shutter speed changes when you lock and change the exposure.
- When the AGC switch is set to ON, the numeric value flashes on the screen if the selected shutter speed is not suitable for the recording conditions. In such case, readjust the shutter speed. If you are using an ND filter, turn it off first and readjust the shutter speed.
- The image quality may decrease to some extent when using slow shutter speeds.
- You can use the custom keys (📖 66) or the menu (📖 125) to prevent the accidental operation of the SHUTTER dial.

Recording

Recording in the Aperture-Priority (Av) Mode

You can select an aperture value in the range F1.6 to F9.5 or CLOSE.



1. Set the **POWER** dial to **Av**.

2. Select the aperture with the **Iris ring**.

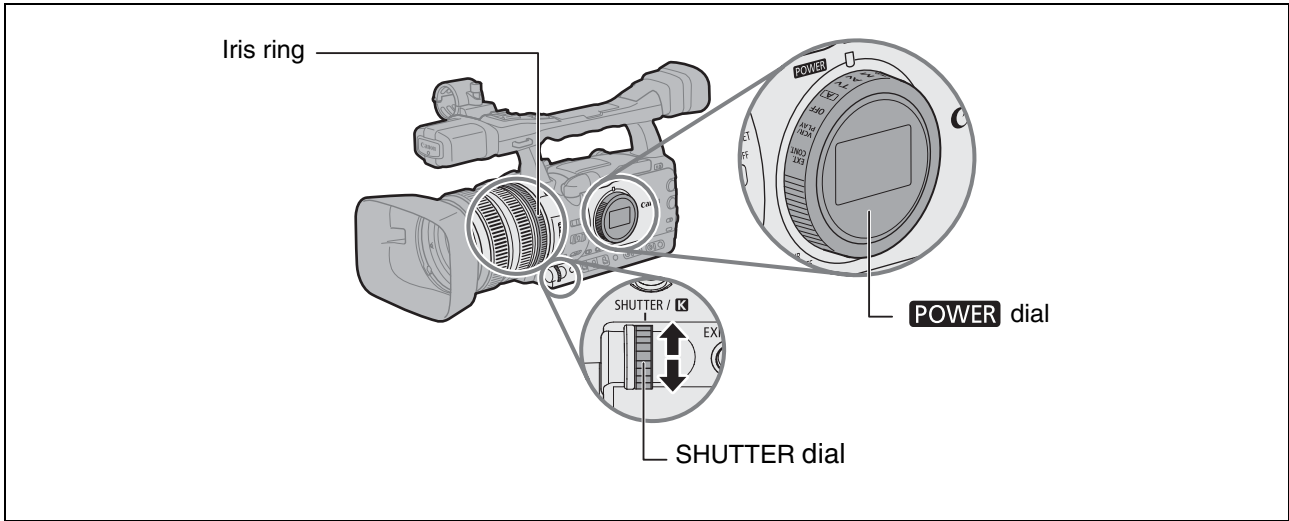
With the customized functions (☞ 79) you can change the direction of the adjustment when you turn the Iris ring.



- Settings other than the aperture value (shutter speed, etc.) are adjusted automatically.
- The aperture changes when you lock and change the exposure.
- When the AGC switch is set to ON, the numeric value flashes on the screen when the selected aperture is not appropriate for the recording condition. In such case, readjust the aperture.
- When the built-in ND filter is activated, the picture may become dark when you set a high aperture value. In such case, turn the ND Filter off first and readjust the aperture.

Recording in the Manual Mode

You can set the exposure at any combination of shutter speed and aperture.



Available settings

Shutter speed	CAMERA	1/3, 1/6, 1/12, 1/25, 1/50, 1/60, 1/75, 1/90, 1/100, 1/120, 1/150, 1/180, 1/210, 1/250, 1/300, 1/350, 1/400, 1/500, 1/600, 1/700, 1/800, 1/1000, 1/1200, 1/1400, 1/1600, 1/2000, 1/2400, 1/2800, 1/3200, 1/4000, 1/8000, 1/16000, CS (clear scan)
	CAMERA · CARD	1/3, 1/6, 1/12, 1/25, 1/50, 1/60, 1/75, 1/90, 1/100, 1/120, 1/150, 1/180, 1/210, 1/250, 1/300, 1/350, 1/400, 1/500
Aperture	F1.6 - F9.5, CLOSE	



1. Set the **POWER** dial to M.

- The exposure indicator appears. Use the exposure indicator as an estimate.
- The ▼ mark above the indicator denotes the automatic exposure setting. The ■ mark of the indicator denotes the current exposure setting within ± 2 stops (beyond 2 stops, the marker will blink).

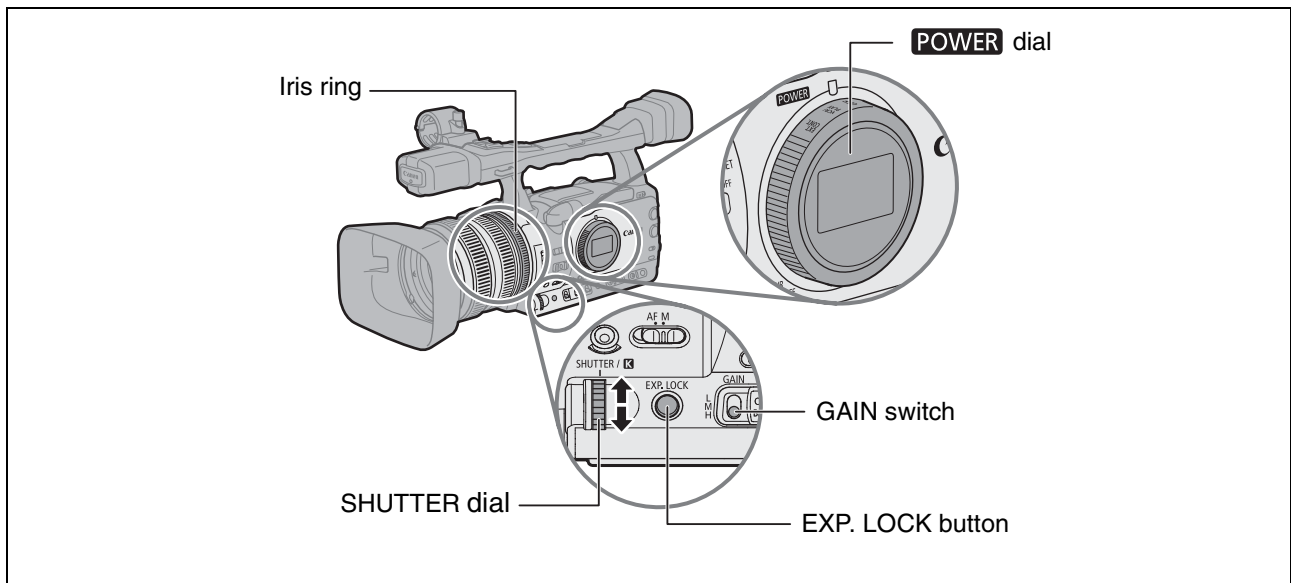
2. Select the aperture with the Iris ring.

With the customized functions (📖 79) you can change the direction of the adjustment when you turn the Iris ring.

3. Select the shutter speed with the SHUTTER dial.

With the customized functions (📖 79) you can change the direction of the adjustment when you operate the SHUTTER dial.

Adjusting the Exposure



Exposure Lock



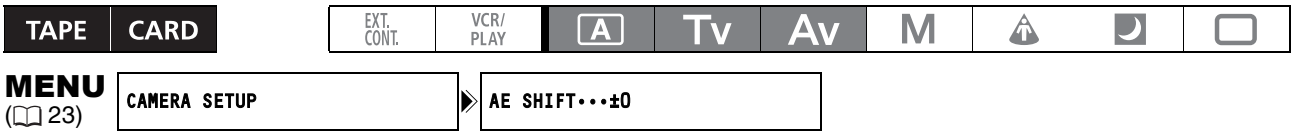
1. Set the **POWER** dial to **A**, **Tv** or **Av**.

2. Press the **EXP. LOCK** button.

- The exposure indicator appears. Use the exposure indicator as an estimate.
- The ▼ mark above the indicator denotes the automatic exposure setting. The ■ mark of the indicator denotes the current exposure setting within ± 2 stops (beyond 2 stops, the marker will blink).
- With the customized functions (📖 79) you can also change the operation of the EXP.LOCK button (normal or long press).

Using AE Shift

You can use the AE Shift control to manually override the automatic exposure system in order to darken or lighten the image. Select from 15 AE levels (+2.0, +1.5, +1.25, +1.0, +0.75, +0.5, +0.25, ± 0 , -0.25, -0.5, -0.75, -1.0, -1.25, -1.5, -2.0).



1. Set the **POWER** dial to **A**, **Tv** or **Av**.
2. Select the desired AE shift level: Open the menu and select [CAMERA SETUP]. Select [AE SHIFT], select a setting option and close the menu.

Adjusting the Gain

The gain control adjusts the level of the video signal generated depending on the lighting and shooting conditions. You can select from automatic gain control or of 3 preset gain levels (L: low, M: middle, H: high) to which you can independently assign gain values from -3 dB to +36 dB (**CAMERA**) or +18 dB (**CAMERA · CARD**).

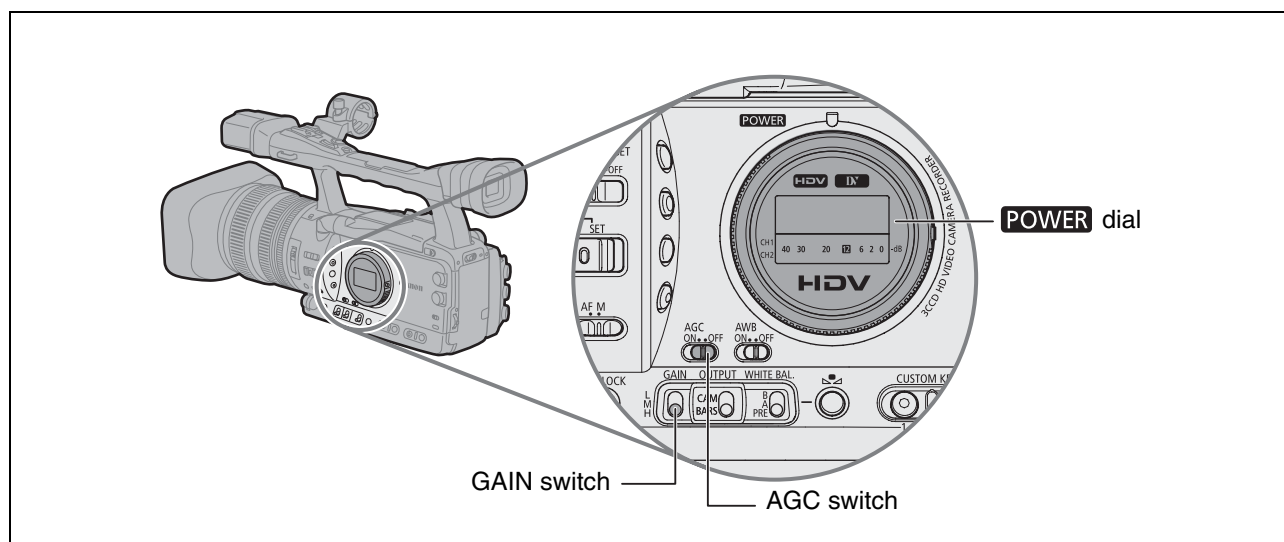
AGC switch set to ON: Automatic gain control.

AGC switch set to OFF: Manual gain level selection (L, M or H) with the GAIN switch.

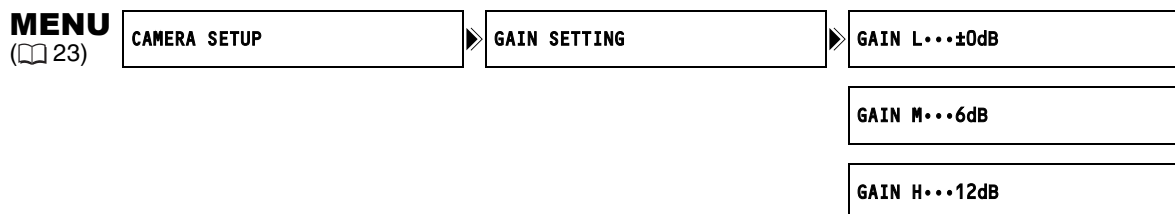
Available gain levels that can be assigned to each GAIN switch position

-3 dB	For the lowest noise recording for indoor, low light or low contrast scenes.
±0 dB	For lifelike night scenes or scenes under artificial lighting.
3 dB/6 dB/12 dB/18 dB/36 dB*	Increases the brightness in indoor or low-light scenes. Increases the depth of field.

* **CAMERA** only.



Assigning Gain Values to the GAIN Switch Positions



1. Set the **POWER** dial to **A**, **Tv**, **Av** or **M**.
2. Open the menu and select **[CAMERA SETUP]**. Select the **[GAIN SETTING]** submenu and then one of the **GAIN** switch options.
[36dB] is available only in **CAMERA** mode.
3. Select a setting option and press the **SELECT/SET** dial.
After the adjustment you will return to the **[GAIN SETTING]** submenu. Assign the gain values to the other **GAIN** switch options in the same way.
4. Close the menu.

Selecting the Gain Level

1. Set the **POWER** dial to **A**, **Tv**, **Av** or **M**.
2. Set the **AGC** switch to **OFF**.
3. Set the **GAIN** switch to the desired gain position.



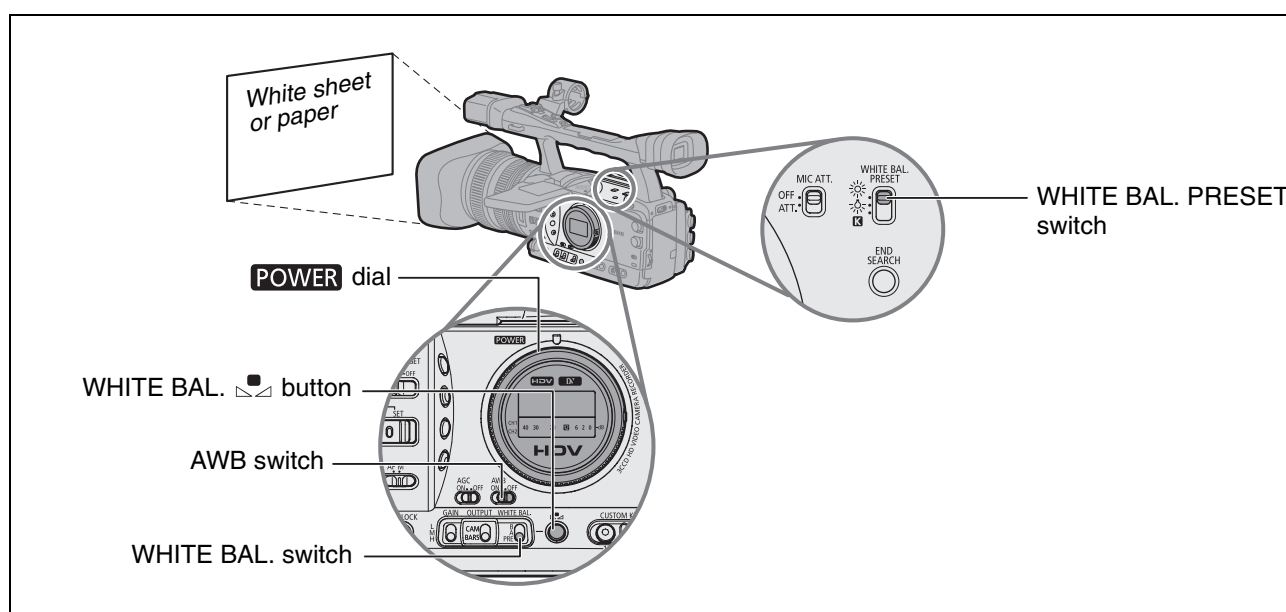
When you select high gain values, the picture may flicker slightly. The [36dB] setting in particular allows you to film with a higher sensitivity but is more prone to the appearance of video noise and artifacts (white dots, vertical streaks or blocking).

Setting the White Balance

The camcorder uses an electronic white balance process to calibrate the picture for accurate color display under different lighting conditions.

In addition to the fully automated mode, white balance modes include an indoor mode, an outdoor mode, a color temperature setting and two user-defined custom preset values.


Auto	Automated adjustment of white balance
☀ (Outdoor)	Bright sunlight (5,600°K)
☾ (Indoor)	Incandescent light (3,200°K)
☑ (Color temperature)	Setting depending on the hue of a specific lighting (2,800 - 12,000°K in 100°K increments)
Custom Preset A, B	Custom preset (3,200 - 5,600°K)

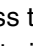
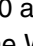
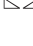


Selecting the Automatic White Balance



Set the AWB switch to ON.

Selecting One of the Preset Modes

1. Set the **POWER** dial to a recording mode other than .
2. Set the AWB switch to OFF and the WHITE BAL. switch to PRE.
3. Set the WHITE BAL. PRESET switch to ☀ or ☾.

You can also fine-tune the preset ☀/☾ settings. Press the WHITE BAL.  button so the preset icon starts flashing and the neutral value ± 0 appears next to it. Adjust the white balance with the  dial to a value between -9 and +9 and press the WHITE BAL.  button again.

Setting the Color Temperature

1. Set the **POWER** dial to a recording program other than .
2. Set the AWB switch to OFF and the WHITE BAL. switch to PRE.
3. Set the WHITE BAL. PRESET switch to .

The color temperature currently set will be displayed.

4. Press the **WHITE BAL.** button.

The color temperature display will start flashing.

5. Turn the dial to set the desired color temperature.


6. Press the **WHITE BAL.** button again.

The color temperature display stops flashing and stays on.

Setting a Custom White Balance

1. Set the **POWER** dial to a recording program other than .


2. Set the **AWB** switch to **OFF** and the **WHITE BAL.** switch to one of the custom presets, **A** or **B**.

 and the corresponding letter will flash on the screen.



3. Point the camcorder at a white object and zoom in until it fills the whole screen.

Keep the camcorder zoomed at the white object until step 4 is completed.

4. Press the **WHITE BAL.** button.

 and the corresponding letter will stop flashing and stay on when the setting is completed.



- When you set the custom white balance: Very rarely and depending on the light source,  may keep flashing. The result will still be better than with the auto setting.
- As long as the built-in rechargeable lithium battery is charged, the camcorder retains the custom white balance setting even if you turn it off.
- The following custom preset settings take precedence, and will override the white balance set with the procedure above: The Color Matrix [CMX] setting, the 3 R/G/B Gain settings, and the 6 R/G/B Matrix settings ( 73).
- The custom white balance may provide better results in the following cases:
 - Changing lighting conditions
 - Close-ups
 - Subjects in a single color (sky, sea or forest)
 - Under mercury lamps or certain types of fluorescent lights
- Perform the custom white balance setting procedure in a sufficiently well lit place.
- Readjust the custom white balance if you turn the built-in ND filter on/off or when the light source has changed.

Recording with Preset Custom White Balance

1. Set the **POWER** dial to a recording program other than .

2. Set the **AWB** switch to **OFF** and the **WHITE BAL.** switch to the desired custom preset, **A** or **B**.

The custom white balance is activated.

Using the Zebra Pattern

This camcorder has a zebra pattern feature that shows black and white diagonal stripes over the area that is overexposed. The zebra pattern is only displayed on the screen and will not affect your recordings. The zebra pattern will not be displayed while using the Peaking assist function (📖 35).

Available zebra pattern settings: 70 IRE, 75 IRE, 80 IRE, 85 IRE, 90 IRE, 95 IRE, and 100 IRE.

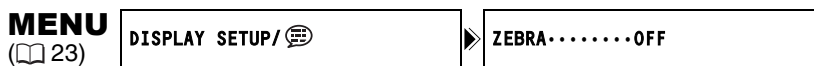


Selecting the Zebra Pattern Level



Open the menu and select [DISPLAY SETUP/ⓘ]. Select [ZEBRA LEVEL], select a setting option and close the menu.

Activating the Zebra Pattern



Open the menu and select [DISPLAY SETUP/ⓘ]. Select [ZEBRA], set it to [ON] and close the menu.

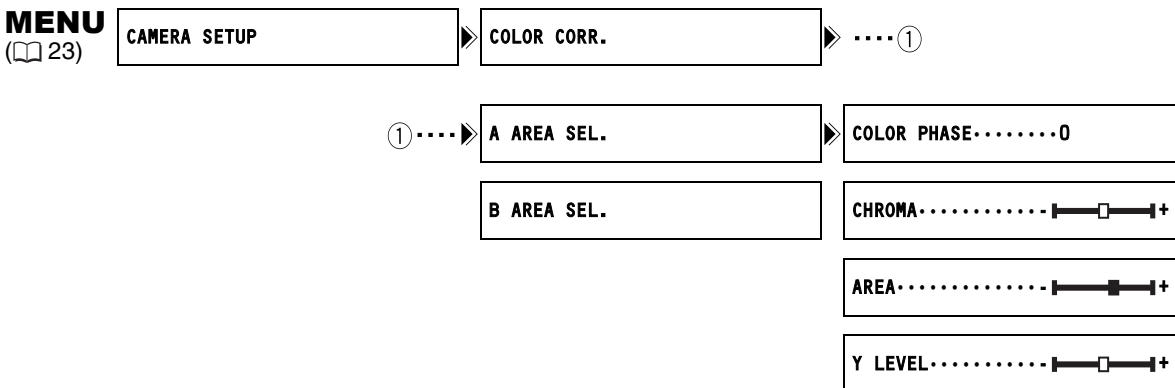
Using the Color Correction

With the color correction function you can set the camcorder to detect the characteristics of a certain color or pattern (color phase, chroma, area and Y level) and correct them automatically when recording. You can set the color correction for up to two different colors (A and B).

When determining the color to be corrected, the areas that will be corrected appear on the screen as a zebra pattern alternating with the normal picture. On a connected monitor or computer, those areas will appear instead as white areas alternating with the normal picture.



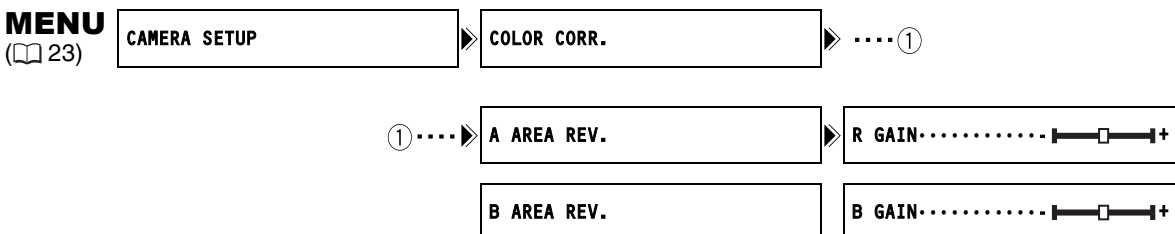
Determining the Color to be Corrected



1. Open the menu and select [CAMERA SETUP]. Select the [COLOR CORR.] submenu and then select [A AREA SEL.] or [B AREA SEL.].
2. Select each setting option, adjust the levels as necessary and close the menu.

- [COLOR PHASE]: Select the basic color phase (0-15) of the color to be detected. Use the following values as an approximate reference: 0=purple, 3=red, 6=orange, 9=green, 12=blue.
- [CHROMA]: Adjust the color saturation for the color to be detected. The more you adjust to [+], the area detected will extend to include more vivid and richer colors.
- [AREA]: Adjust the color range for the color to be detected. Adjusting to [+] detects a wider color range, and to [-] a narrower color range.
- [Y LEVEL]: Adjust the brightness for the color to be detected. Adjusting to [+] detects brighter colors, and to [-] detects darker colors.

Adjusting the Color Correction



1. Open the menu and select [CAMERA SETUP]. Select the [COLOR CORR.] submenu and then select [A AREA REV.] or [B AREA REV.].
2. Select the color gain options, adjust the levels as necessary and close the menu.

- [R GAIN]: Adjust the red gain of the detected area. Adjusting to [+] results in stronger red tones, and to [-] in stronger cyan tones.
- [B GAIN]: Adjust the blue gain of the detected area. Adjusting to [+] results in stronger blue tones, and to [-] in stronger yellow tones.

Activating the Color Correction



1. Open the menu and select [CAMERA SETUP] and select the [COLOR CORR.] submenu.
2. Select [CORRECT], select a correction mode other than [OFF] to correct only area A, only area B or both and then close the menu.

Using the Skin Detail Function


With the skin detail function, areas in the picture that have skin-tone characteristics will be detected, and the details in these areas will be softened in order to conceal skin imperfections. On the screen, those skin areas will be identified by a zebra pattern alternating with the normal picture (on a connected TV or computer screen they will appear in white instead).

You can adjust the hue, chroma, area and Y level as required, to determine the areas that will be detected as skin areas.

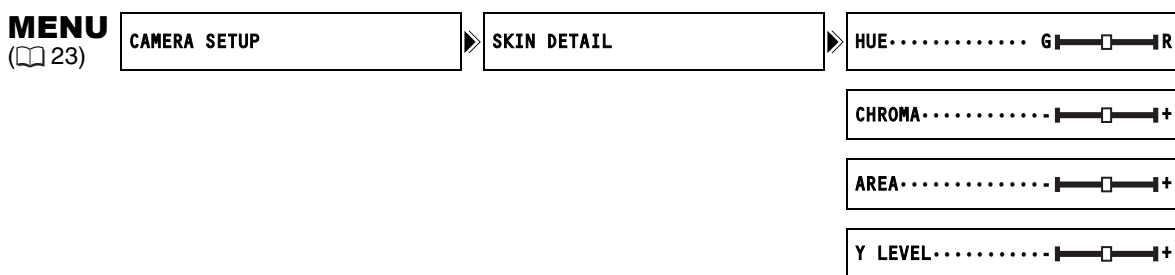


Activating the Skin Detail Function



1. Open the menu and select [CAMERA SETUP]. Select the [SKIN DETAIL] submenu and then select [EFFECT LEVEL].
2. Select a setting option and close the menu.
“” appears.

Determining the Skin Area



1. Open the menu, select [CAMERA SETUP] and then select the [SKIN DETAIL] submenu.
2. Select each setting option, adjust the levels as necessary and press the SELECT/SET dial.

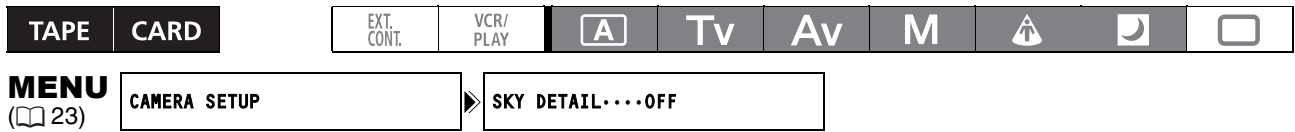
After the adjustment you will return to the [SKIN DETAIL] submenu. Adjust other setting options in the same way.

- [HUE]: Adjust the hue for detection of the skin area. Adjusting to [R] detects reddish skin color, and to [G] detects greenish skin color.
- [CHROMA]: Adjust the color saturation for detection of the skin area. Adjusting to [+] detects more vivid skin tones, and to [-] detects paler skin tones.
- [AREA]: Adjust the color range for detection of the skin area. Adjusting to [+] detects a wide color range, and to [-] detects a narrow color range.
- [Y LEVEL]: Adjust the brightness for detection of the skin area. Adjusting to [+] detects brighter skin color, and to [-] detects darker skin color.

3. Close the menu.

Using the Sky Detail

With the sky detail function, blue sky areas in the picture will be detected and the detail level in these areas will be decreased to obtain a softer picture.

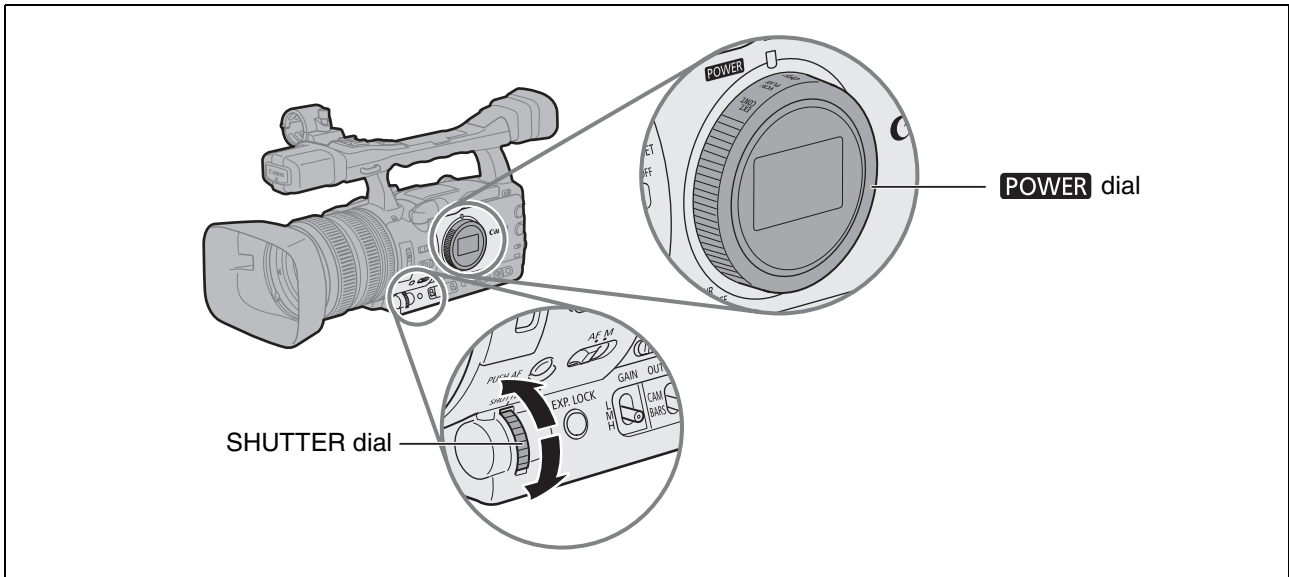


To activate the sky detail effect:

Open the menu and select [CAMERA SETUP]. Select [SKY DETAIL], set it to [SOFT ] and close the menu.

Using the Clear Scan Function

This feature allows you to record a computer's CRT screen or other equipment without displaying black band or flicker on the screen. You can adjust the frequency from 50.2 Hz to 200.3 Hz.



1. Set the **POWER** dial to Tv or M.
2. Turn the **SHUTTER** dial to set the shutter speed to “CS”.
3. Open the menu and select [CAMERA SETUP]. Select [CLEAR SCAN], adjust the frequency and close the menu.
Adjust the frequency so that the black band does not appear.

Using the Custom Keys

You can assign frequently used functions to the custom keys. The custom keys can have different functions assigned to them in each of the operation modes.

Default settings:

	CAMERA	VCR/PLAY	CAMERA · CARD	VCR/PLAY · CARD
CUSTOM KEY 1	TIME CODE	TV SCREEN	ZEBRA	TV SCREEN
CUSTOM KEY 2	INDEX WRITE	DATA CODE	TV SCREEN	CVF+LCD BW

The following functions can be assigned to the custom keys:

<p>CAMERA</p> <p>Time code Index write ² Zebra pattern VCR stop ² TV screen</p>	<p>Time code hold ² Audio level CVF+LCD BW MAGN. button SHUTTER dial CP backward key ^{1,2}</p>	<p>VCR/PLAY</p> <p>Time code TV screen Data code Audio level Time code hold ² CVF+LCD BW</p>
<p>CAMERA · CARD</p> <p>Zebra pattern TV screen CVF+LCD BW MAGN. button SHUTTER dial CP backward key ^{1,2}</p>	<p>VCR/PLAY · CARD</p> <p>TV screen CVF+LCD BW</p>	

¹ Can only be assigned to Custom Key 2.

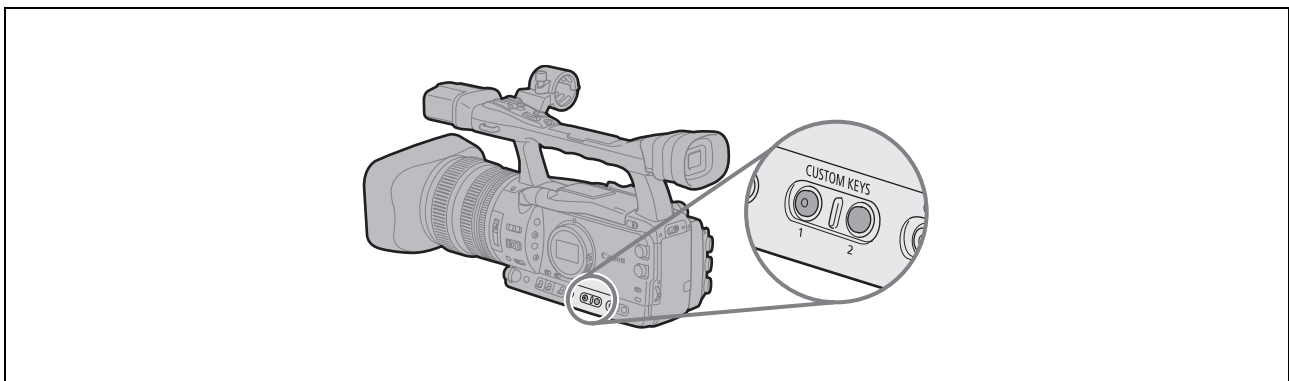
² This function can only be operated with a custom key (Index write can also be operated with the wireless controller).



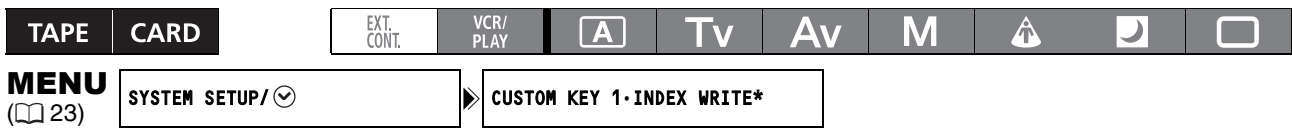
To check the current custom key settings:

In a recording mode: Open the menu and select [DISPLAY SETUP/☰]. Select [GUIDE INFO], set it to [CUSTOM KEYS] and close the menu.

In a playback mode: Open the menu and select [DISPLAY SETUP/☰]. Select [CUSTOM KEY], set it to [ON] and close the menu.



Changing the Custom Keys Setting



* Default value in **CAMERA** mode.

Open the menu and select [**SYSTEM SETUP/✓**]. Select [**CUSTOM KEY 1**] or [**CUSTOM KEY 2**], select the function you wish to assign to the custom key and close the menu.

When you do not wish to use the custom keys, select [(NONE)].

Activating the Functions with the Custom Key

[**TIME CODE**] Time Code (23 39) **CAMERA** **VCR/PLAY**

Press the **CUSTOM KEY (1 or 2)** button.

The time code setting menu appears.

[**INDEX WRITE**] Index Write **CAMERA**

You can add an index signal to your recording for easy search in **VCR/PLAY** mode (23 99).

Press the **CUSTOM KEY (1 or 2)** button.

- The index signal will be recorded for approx. 6.5 seconds.
- When the camcorder is in record pause mode, the index signal will be written when you start recording.



An index signal cannot be added or erased later.

[**ZEBRA**] Zebra Pattern (23 60) **CAMERA** **CAMERA·CARD**

Press the **CUSTOM KEY (1 or 2)** button.

The zebra pattern is activated. Press the button again to deactivate it.

[**VCR STOP**] VCR Stop (23 26) **CAMERA**

When the camcorder is in record pause mode, you can turn off the recorder section. Even if [POWER SAVE] is set to [OFF], you can take your time adjusting the camera settings, while the recorder section of the camcorder is powered off so you do not need to worry about the tape or the video heads.

VCR STOP can only be operated with the custom keys.

Press the **CUSTOM KEY (1 or 2)** button.

The VCR STOP mode is activated. Press the button again to return to record pause mode. You can also start recording by pressing the start/stop button directly in VCR STOP mode.

[**TV SCREEN**] TV Screen (23 86) **CAMERA** **VCR/PLAY** **CAMERA·CARD** **VCR/PLAY·CARD**

You can show the camcorder's displays on a connected TV.


Press the **CUSTOM KEY (1 or 2)** button.

[TC HOLD] Time Code Hold **CAMERA** **VCR/PLAY**

You can press the custom key button to freeze the display of the time code. The time code will continue running normally even while the time code display is on hold.

Time Code Hold can only be operated with the custom keys.

Press the CUSTOM KEY (1 or 2) button.

- Pressing the custom key button again will reactivate the normal display of the time code.
- While on hold, the time code will be displayed with an **H** next to it and "HOLD" will appear on the side panel display.
- The time code being output from the TIME CODE (**XHGT** only), HD/SD SDI (**XHGT** only), LANC and HDV/DV terminals will not be put on hold. The time code superimposed on the video signal output from the COMPONENT OUT terminal or the Video terminals will be put on hold.
- The time code hold will be canceled when you turn the camcorder on/off, change the operation mode between recording and playback or change the position of the  (card/tape) switch.

[AUDIO LEVEL] Audio Level Indicator (45) **CAMERA** **VCR/PLAY**

Press the CUSTOM KEY (1 or 2) button.

The audio level indicator appears. Press the button again to hide the audio level indicator.

[CVF+LCD BW] Viewfinder and LCD Screen's Black & White Display

CAMERA **VCR/PLAY** **CAMERA · CARD** **VCR/PLAY · CARD**

Press the CUSTOM KEY (1 or 2) button.

The image on both, the viewfinder and the LCD screen, will be shown in black & white (on-screen displays and indicators will still be displayed in color). Press the button again to return to color display.

[MAGN.B.LOCK] MAGN. Button Lock **CAMERA** **CAMERA · CARD**

Press the CUSTOM KEY (1 or 2) button.

Pressing the button will lock the MAGN. button to prevent its accidental operation. Press the custom key button again to reactivate the MAGN. button.

[SHTR D.LOCK] SHUTTER Dial Lock **CAMERA** **CAMERA · CARD**

Press the CUSTOM KEY (1 or 2) button.

Pressing the button will lock the SHUTTER dial to prevent its accidental operation. Press the button again to reactivate the SHUTTER dial.

[CP BKWD KEY] Custom Preset Backward Key **CAMERA** **CAMERA · CARD**

Press the CUSTOM KEY 2 button.

Usually, pressing the CUSTOM PRESET SELECT button will cycle forwards to the following custom preset file. Pressing the custom key button will instead cycle backwards to the preceding custom preset file. Custom Preset Backward Key can only be operated with the custom keys.

[DATA CODE] Data Code (101) **VCR/PLAY**

Press the CUSTOM KEY (1 or 2) button.

The data code appears. Press the button again to hide the data code.

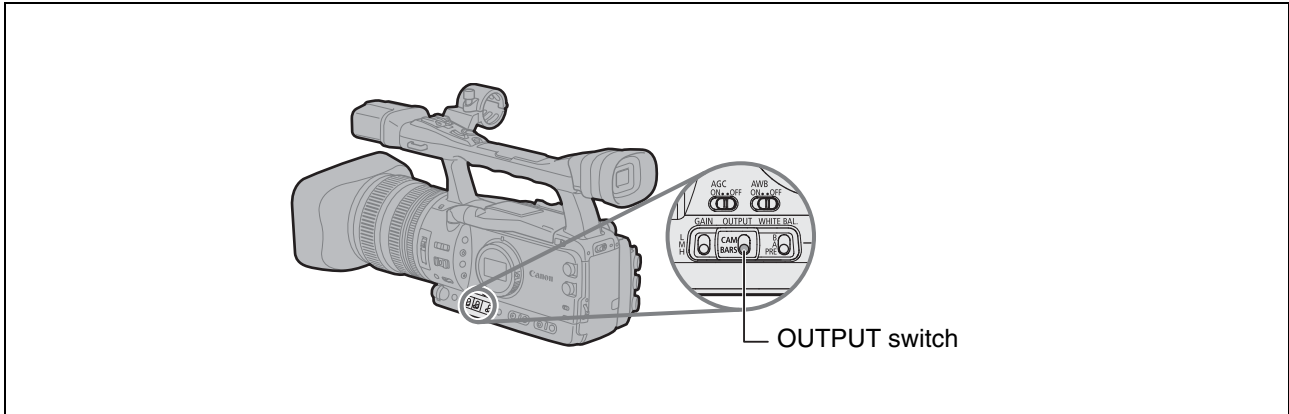
Recording Color Bars/Audio Reference Signal

You can generate and record color bars signals and a 1 kHz audio reference signal.

With the customized functions (📖 79) you can choose between EBU* ([TYPE 1]) and SMPTE** color bars ([TYPE 2]) and you can also select the strength of the audio signal (-12 dB or -20 dB).

* European Broadcast Union.

** Society of Motion Picture and Television Engineers.



1. Select the standard of the color bars signal [COLOR BARS] and the strength of the audio reference signal [1kHz TONE] with the customized functions (📖 79).

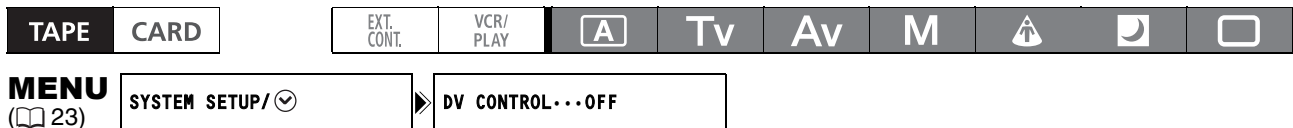
2. Set the OUTPUT switch to BARS.

- The color bars appear and the audio reference signal is emitted (if activated). Press the start/stop button to record the signal.
- If you set [1kHz TONE] to [OFF] the current audio input (microphone, line in, etc.) will be recorded as the audio signal.

Using the Digital Video Control

This feature enables the camcorder to control the record and stop functions of an external digital device connected to the camcorder through the HDV/DV terminal. The device must comply with the IEEE1394 AV/C protocol. Use the optional CV-150F (4 pin-4 pin) or CV-250F (4 pin-6 pin) DV cable to connect the external device.

Windows XP (SP2) users can use the CONSOLE software (sold separately) to download video and audio recordings (in HDV or DV standards) from the camcorder to a computer's hard disk. For details refer to the software's help modules.



1. Open the menu and select [SYSTEM SETUP/☑]. Select [DV CONTROL], set it to [ON] and close the menu.

2. Press the start/stop button...

...when this camcorder is in record pause mode:

This camcorder: Recording

Connected device: Recording

...when this camcorder is recording:

This camcorder: Record pause mode

Connected device: Record pause mode

...when this camcorder is not ready for recording (no cassette loaded etc.)

Connected device: Recording/record pause mode

...after loading a cassette while the connected device is recording:

This camcorder: Recording

Connected device: Continues recording

Pressing the start/stop button again:

This camcorder: Record pause mode

Connected device: Record pause mode

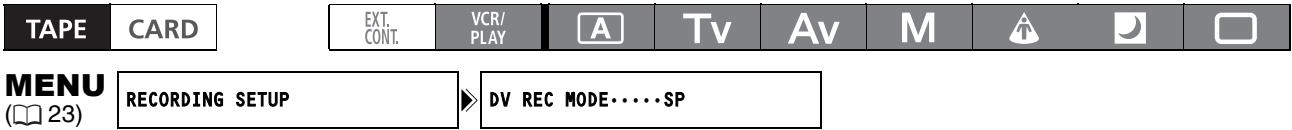


- While both this camcorder and a connected device are recording, if this camcorder stops recording because of a condition other than pressing the start/stop button (e.g., if the tape has reached its end), the connected device will continue recording.
- When this camcorder stops recording you may notice a brief interruption of the audio on the connected device.
- The status of the connected device is indicated as follows.
 - Connected device is recording
 - Connected device is in record pause or stop mode
 - Connected device is in a mode other than record pause or stop
 - [DV CONTROL] is set to [ON , but no external device is connected
 - xxx min Recording on the computer's hard disk
- As long as the built-in rechargeable lithium battery is charged, the camcorder retains the DV control setting even if you turn the power off. Make sure to check the setting after using the DV control function, as the tape in the connected device may be overwritten.
- When connecting two DV Control-compatible Canon camcorders with a DV cable, make sure to set [DV CONTROL] on the other connected camcorder to [OFF].
- Up to 2 other devices can be connected to the XH G1/XH A1 for DV control.
- With some non-Canon devices: The DV control may not work properly depending on the connected device.

Other Camcorder Functions/Settings


SD Changing the Recording Mode (SP/LP)

When recording in Standard Definition (SD mode) only, you can choose between SP (standard play) and LP (long play). LP extends the tape usage by 1.5 times.



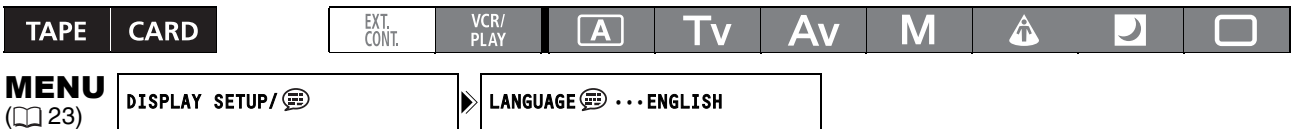
To change to LP mode, open the menu and select [RECORDING SETUP]. Select [DV REC MODE], set it to [LP] and close the menu.

 Depending on the tape and its usage condition, the picture and sound recorded in LP mode may be distorted. We recommend using the SP mode for important recordings.


-  If you record in both SP and LP modes on the same tape, the playback picture may become distorted, and the time code may not be written correctly.
- If you play back a tape that has been recorded in LP mode with another digital device on this camcorder, or vice versa, the picture and sound may become distorted.

Changing the Display Language

The language used in the camcorder displays and menu items can be changed to German, Spanish, French, Italian, Polish, Russian, simplified Chinese or Japanese.

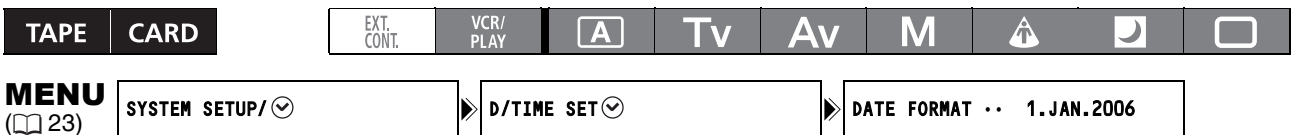


To change the display language, open the menu and select [DISPLAY SETUP/🗨️]. Select [LANGUAGE 🗨️], select a language and close the menu.

-  If you have mistakenly changed the language, follow the 🗨️ mark next to the menu item to change the setting.
- The displays **MENU** and **SET** at the bottom of the screen refer to the names of buttons on the camcorder and will not change regardless of the language selected.

Changing the Date Format

You can select between three date formats. For example, [JAN. 1, 2006], [1. JAN. 2006] and [2006. 1. 1].



Open the menu and select [SYSTEM SETUP/🗑️]. Select the [D/TIME SET 🗑️] submenu and then select [DATE FORMAT]. Select a date format and close the menu.

Using the Custom Preset

You can define preset levels for 23 recording specifications used when recording on tape (17 when recording still images on the memory card). Up to 9 custom preset files can be saved on the camcorder (custom preset files 7 - 9 are predefined files) and up to 20 on a memory card. Custom preset files can be copied from the camcorder to the memory card and vice versa. Also, the custom preset settings currently in effect can be embedded within a still image of the scene recorded on the memory card. This camcorder's custom preset files are not compatible with the XL H1's custom preset files.

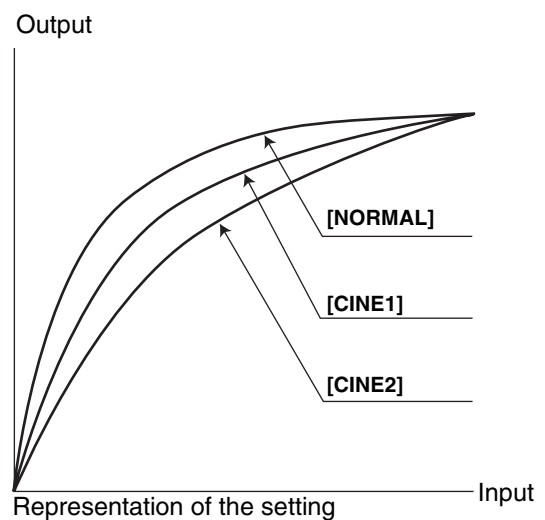
Recording specifications that can be saved in a custom preset:

Gamma curve*, knee, black stretch/press, master pedestal*, setup level*, sharpness, horizontal detail frequency, horizontal/vertical detail balance, coring, NR1*, NR2*, color matrix*, color gain, color phase, R gain, G gain, B gain, R-G matrix, R-B matrix, G-R matrix, G-B matrix, B-R matrix and B-G matrix.

* Available only when recording on the tape.

[GAM] Gamma Curve **CAMERA**

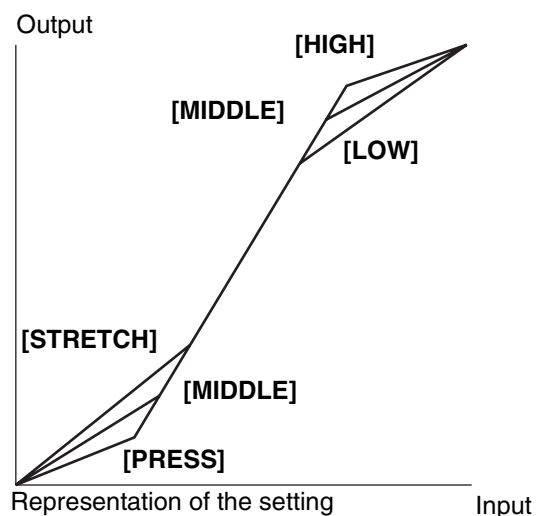
You can select from [NORMAL], [CINE1] or [CINE2]. [NORMAL] corresponds to Video Gamma adjustments, while [CINE1] is a setting appropriate for video telecined from film and [CINE2] is a setting appropriate for transfer to film.



[KNE] Knee Point Adjustment

CAMERA **CAMERA · CARD**

Adjust the dynamic range (knee point) in the highlight area of the image to prevent overexposure. You can select from [AUTO], [HIGH], [MIDDLE] or [LOW].



[BLK] Black Stretch/Black Press

CAMERA **CAMERA · CARD**

Adjust the dynamic range in the black area of the image. You can select from [STRETCH], [MIDDLE] or [PRESS]. [STRETCH] emphasizes contrast in the dark area, while [PRESS] enhances or deepens darkness.

[PED] Master Pedestal **CAMERA**

Adjust the master pedestal level in the range -9 to +9.

[SET] Setup Level **CAMERA**

Adjust the setup level in the range -9 to +9.

- Depending on the value set for the master pedestal [PED], the setup level may not be able to take a negative value. In that case, adjusting the setup value within a certain value range will have no effect.

[SHP] Sharpness **CAMERA** **CAMERA · CARD**

Adjust the sharpness level in the range -9 to +9.

[HDF] Horizontal Detail Frequency **CAMERA** **CAMERA · CARD**

You can select from [HIGH], [MIDDLE] or [LOW].

[DHV] Horizontal/Vertical Detail Balance **CAMERA** **CAMERA · CARD**

Adjust the horizontal/vertical detail balance in the range -9 (only horizontal) to +9 (only vertical).

[COR] Coring **CAMERA** **CAMERA · CARD**

Adjust the detail noise level in the range -9 to +9.

[NR1] Noise Reduction 1 **CAMERA**

You can select from [OFF], [HIGH], [MIDDLE] or [LOW].

- [HIGH], [MIDDLE] or [LOW]: Moving subjects may leave a trailing afterimage.
- When picture noise is already low due to the gain settings, the noise reduction function may not be noticeable.

[NR2] Noise Reduction 2 **CAMERA**

Results in an effect similar to applying the skin detail function over the whole picture. You can select from [OFF], [HIGH], [MIDDLE] or [LOW].

- Unlike with the NR1 setting, a trailing afterimage will not appear.

[CMX] Color Matrix **CAMERA**

You can select from [NORMAL], [CINE1] or [CINE2].

[CGN] Color Gain **CAMERA** **CAMERA · CARD**

Adjust the color saturation level in the range -50 to +50.

[CPH] Color Phase **CAMERA** **CAMERA · CARD**

Adjust the color phase in the range -9 to +9.

[RGN] R Gain **CAMERA** **CAMERA · CARD**

Adjust the red level in the range -50 to +50.

[GGN] G Gain **CAMERA** **CAMERA · CARD**

Adjust the green level in the range -50 to +50.

[BGN] B Gain **CAMERA** **CAMERA · CARD**

Adjust the blue level in the range -50 to +50.

[RGM] R-G Matrix **CAMERA** **CAMERA · CARD**

Adjust the level in the range -50 to +50.

[RBM] R-B Matrix **CAMERA** **CAMERA · CARD**

Adjust the level in the range -50 to +50.

[GRM] G-R Matrix **CAMERA** **CAMERA · CARD**

Adjust the level in the range -50 to +50.

[GBM] G-B Matrix **CAMERA** **CAMERA · CARD**

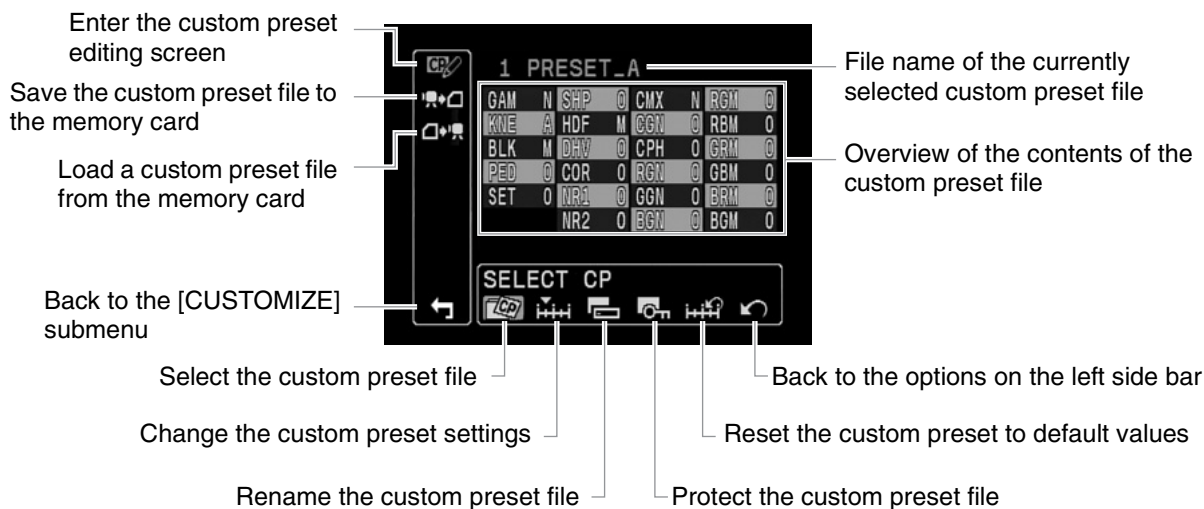
Adjust the level in the range -50 to +50.

[BRM] B-R Matrix **CAMERA** **CAMERA · CARD**

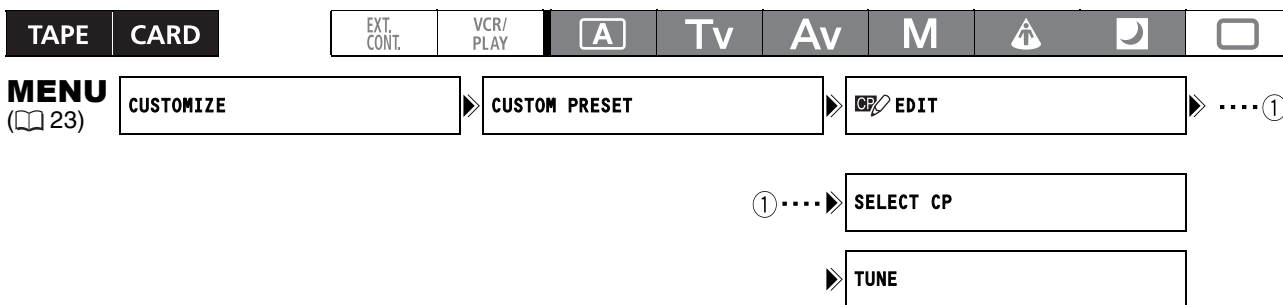
Adjust the level in the range -50 to +50.

[BGM] B-G Matrix **CAMERA** **CAMERA · CARD**

Adjust the level in the range -50 to +50.



Changing the Custom Preset Settings



1. **Open the menu, select [CUSTOMIZE] and then select the [CUSTOM PRESET] submenu.**
The custom preset submenu appears.
2. **Select [EDIT] from the column on the left.**
The cursor will move to the bottom bar of the custom preset editing screen. To return one level back to the options on the column on the left, select [RETURN] and press the SELECT/SET dial.
3. **From the bottom bar, select [SELECT CP] and then select the name of the custom preset file where you want to store the settings.**
The current settings of the selected custom preset file will be shown in the custom preset item list.
4. **From the bottom bar, select [TUNE].**
The first item in the list will be highlighted in blue.
5. **From the list, select an item you want to adjust and press the SELECT/SET dial. Make the adjustment or the selection as necessary and press the SELECT/SET dial.**
 - During the adjustment you can verify the effect of each change on the screen.
 - Repeat this step to adjust all the items you want to adjust.
6. **When you finish adjusting all the items in the custom preset, select [RETURN], press the SELECT/SET dial and close the menu.**



- The custom preset items appear in one screen as 3-letter abbreviations followed by the current setting value. As you move between the items with the SELECT/SET dial, the full name of the currently selected item and its current value will be displayed at the bottom of the screen.
- A protected custom preset file cannot be changed. If you attempt to change a protected file, [] will start flashing.

Renaming a Custom Preset File

Follow steps 1-3 as described in *Changing the Custom Preset Settings* (75) to open the custom preset editing screen and select the custom preset file you want to rename.

1. From the bottom bar, select [RENAME].

The first character of the custom preset file name will start flashing.

2. Turn the SELECT/SET dial to select a number, letter or punctuation mark and press the dial.

- The next character of the custom preset file name will start flashing.
- Set the rest of the custom preset file name in the same way.

3. When you finish renaming the custom preset file, press the SELECT/SET dial.



You will return to the custom preset editing screen.

4. Close the menu.

Protecting a Custom Preset File

Follow steps 1-3 as described in *Changing the Custom Preset Settings* (75) to open the custom preset editing screen and select the custom preset file you want to protect.

1. From the bottom bar, select [PROTECT].

- The protection mark  will appear next to the custom preset file name.
- To cancel the protection, repeat the procedure for a custom preset file with the  mark.

Resetting a Custom Preset File

Follow steps 1-3 as described in *Changing the Custom Preset Settings* (75) to open the custom preset editing screen and select the custom preset file you want to reset to default values.

1. From the bottom bar, select [RESET].


A confirmation screen will appear.

2. Select [EXECUTE] and press the SELECT/SET dial.

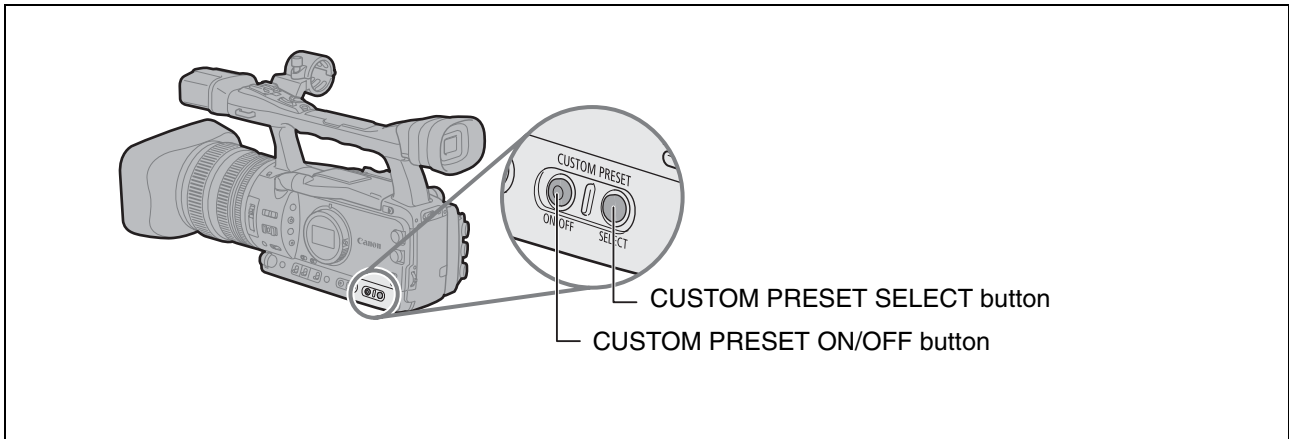
You will return to the custom preset editing screen.

3. Close the menu.



A protected custom preset file cannot be reset. If you attempt to reset a protected file,  will start flashing.

Activating the Custom Preset Settings



1. Press the CUSTOM PRESET SELECT button.

- Repeatedly pressing the button will cycle through the available custom preset files. You can also set a custom key as [CP BKWD KEY] to cycle through the options in reverse order (from last to first) (66).
- When you are not using the custom preset setting, set the camcorder to **CP Off**.

2. Press the CUSTOM PRESET ON/OFF button.

The setting is activated.

Copying a Custom Preset File to the Memory Card



1. Open the menu, select [CUSTOMIZE] and then select the [CUSTOM PRESET] submenu.

2. Select [CAMERA → CARD] from the column on the left.

3. From the bottom bar, select [SELECT CP] and then select the name of the custom preset file you want to copy to the card.

4. Select [SAVE POSITION] and select the filename under which you want to store the file on the memory card.

- Up to 20 custom preset files can be stored on the memory card. If you try to save more than 20 custom preset files one of the files on the card will be overwritten (you can select which file to overwrite).
- If there are no custom preset files saved on the memory card, "NEW_FILE" will be used as the file name.

5. Select [EXECUTE] and in the confirmation screen select [EXECUTE] to copy the file.

6. Close the menu.

Loading a Custom Preset File from the Memory Card



1. Open the menu, select [CUSTOMIZE] and then select the [CUSTOM PRESET] submenu.

2. Select [CARD → CAMERA] from the column on the left.

3. From the bottom bar, select [IMPORT] and then select the name of the custom preset file you want to load to the camcorder.

4. Select [SELECT POSITION] and select the preset number under which you want to store the file in the camcorder.

5. Select [→] [EXECUTE] and in the confirmation screen select [EXECUTE] to load the file.
6. Close the menu.

Loading a Custom Preset File from a Still Image to the Camcorder

With the customized functions (79) you can select to save the custom preset settings currently in use along with a still image of the recording in **CAMERA** mode. This is very useful when you want to load the custom preset file later by selecting the still image captured from a specific scene.



1. Select the still image that contains the custom preset file you want to load.
Use the **CARD** + / - buttons to move between the still images.
2. Open the menu, select [CUSTOMIZE] and then select [META DATA CP].
3. Select [→] [CARD] → [CAMERA] from the column on the left.
4. From the bottom bar, select [SELECT POSITION] and select the preset number under which you want to store the file on the camcorder.
5. Select [→] [EXECUTE] and in the confirmation screen select [EXECUTE] to load the file.
6. Close the menu.



Custom preset files 7 to 9 are predefined settings designed for specific scenes.

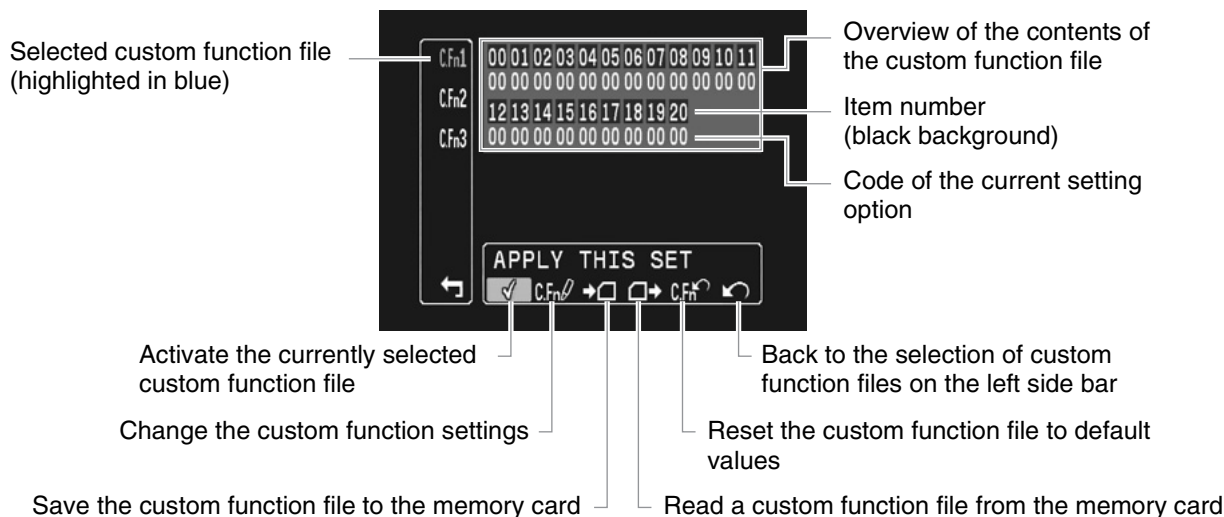
- These 3 custom preset files are protected and, as long as the protection is not removed, cannot be overwritten.
- Even if you deleted or changed the sample custom preset files, you can reset them to the original values by resetting all the camcorder's settings. Open the menu and select [SYSTEM SETUP/Ⓢ]. Select [RESET ALL] and select [YES] in the confirmation screen.
- After resetting custom preset files 1 to 6 with the [RESET] option, they will all contain the same settings.

Custom Preset [7 VIDEO.C]	For playback on a consumer-level monitor. [BLK] = [PRESS], [PED] = -2, [SET] = -2
Custom Preset [8 CINE.V]	For playback on a monitor TV with a film-like feel. [GAM] = [CINE1], [KNE] = [LOW], [BLK] = [STRETCH], [SHP] = -4, [CMX] = [CINE1], [CGN] = -20, [CPH] = 5, [RBM] = -5, [GRM] = -5 [GBM] = -5, [BRM] = 5, [RGM] = 12
Custom Preset [9 CINE.F]	For video transfer to film. [GAM] = [CINE2], [KNE] = [LOW], [BLK] = [STRETCH], [SHP] = 6, [CMX] = [CINE2], [RGN] = -8

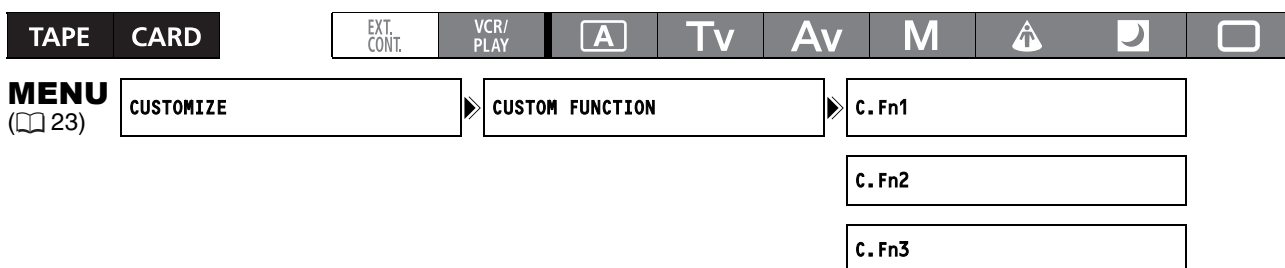
* All other settings are left at their neutral values.

Using the Customized Functions

You can customize to your personal preferences many aspects of the operation of the camcorder, most of them governing how the camcorder operates in **CAMERA** mode. You can adjust up to 3 different custom function files and save them on the camcorder or to a memory card. By just reading the custom function file saved on the memory card with another XH G1/XH A1, you will instantly get a camcorder configured to operate in the same familiar manner you prefer.



Changing the Custom Function Settings



1. Open the menu, select **[CUSTOMIZE]** and then select the **[CUSTOM FUNCTION]** submenu.

The custom function editing screen appears.

2. From the column on the left, select one of the 3 custom function files **[C.Fn1]** - **[C.Fn3]**.

The current settings of the selected custom function file will be shown in the custom function item list. The cursor will move to the bottom bar of the custom function editing screen. To return one level back to the options on the column on the left, select **[RETURN]** and press the **SELECT/SET** dial.

3. From the bottom bar, select **[C.Fn TUNE]**.

The first item in the list will be highlighted in blue.

4. From the list, select an item you want to adjust and press the **SELECT/SET** dial. Make the selection as necessary and press the **SELECT/SET** dial.

Repeat this step to adjust all the items you want to adjust.

5. When you finish adjusting all the items in the custom function file, select **[RETURN]**, press the **SELECT/SET** dial and close the menu.



The custom function items appear in one screen represented only by the item number on the top (numbers 00 - 20 with a black background), and the code of the current setting immediately under it.

Resetting a Custom Function File

1. Open the menu, select [CUSTOMIZE] and then select the [CUSTOM FUNCTION] submenu.
2. From the column on the left select the custom function file you want to reset.
3. From the bottom bar select [CF^R RESET].
4. Select [OK], press the SELECT/SET dial and close the menu.

Activating a Custom Function File

Even if you define a custom function file, as long as you do not activate it the camcorder will function according to its default settings.

1. Open the menu, select [CUSTOMIZE] and then select the [CUSTOM FUNCTION] submenu.
2. From the column on the left select the custom function file you want to activate.
3. From the bottom bar select [✓ APPLY THIS SET].
4. Select [ACTIVE] and press the SELECT/SET dial
✓ will appear next to the custom function file currently activated.

Copying a Custom Function File to the Memory Card

1. Open the menu, select [CUSTOMIZE] and then select the [CUSTOM FUNCTION] submenu.
2. From the column on the left select the custom function file you want to copy to the memory card.
3. From the bottom bar select [→□ SAVE TO CARD].
4. Select the destination file on the memory card [→□ 1] - [→□ 3].
5. Select [OK], press the SELECT/SET dial and close the menu.

When the operation is finished, "TASK COMPLETED" will appear on the screen.

Loading a Custom Function File from the Memory Card

1. Open the menu, select [CUSTOMIZE] and then select the [CUSTOM FUNCTION] submenu.
2. From the column on the left select the custom function file to which you want to load the settings from the memory card.
3. From the bottom bar select [□→ READ FROM CARD].
4. Select the source file on the memory card [→□ 1] - [→□ 3].
5. Select [OK], press the SELECT/SET dial and close the menu.

When the operation is finished, "TASK COMPLETED" will appear on the screen.

CAMERA Availability of custom functions in each recording program/playback mode

Custom Function		□	A	Tv	Av	M	▲	■	VCR/ PLAY	
00	SHCKLSS WB/GN	WHITE BALANCE	– (OFF)	●	●	●	●	– (OFF)	– (OFF)	–
		GAIN	– (OFF)	●	●	●	●	●	●	–
01	AE RESPONSE	– (MID)	●	●	●	●	– (MID)	– (MID)	–	
02	HIGH-SPEED ZOOM	– (OFF)	●	●	●	●	●	●	–	
03	FOCUS RING CTRL				●				–	
04	BUTTONS OPER.	MAGN.	–			●			–	
		WB SET	–			●			–	
		EXP.LOCK	–	●	●	●	–	–	–	
		PUSH AF				●			–	
05	RINGS DIRECTION	ZOOM			●				–	
		FOCUS			●				–	
		IRIS	–	● ¹	● ¹	●	●	–	–	
06	DIALS DIRECTION	CURSOR			●				●	
		SHUTTER	–	● ¹	●	● ¹	●	–	–	
07	FOCUS PRIORITY				– (OFF)				–	
08	SIMULT.IMG.REC	– (ON)			●				–	
09	MARKER LEVEL	MARKER			●				–	
		ASPECT			●				–	
		SAFETY			●				–	
10	F.AST BW-MOD	MAGN.	–		●				–	
		PEAKING	–		●				–	
11	OBJ DST UNIT	–			●			–		
12	ZOOM INDICATOR				●			–		
13	COLOR BARS				●			–		
14	1kHz TONE				●			–		
15	WIRELESS REMOTE				●			●		
16	POWER SAVE				● ²			– (OFF)		
17	TALLY LAMP				● ³			● ³		
18	LED				●			●		
19	BEEP				●			●		
20	CHARACTER REC				●			–		

¹ Only during exposure lock.

² Only when using a battery pack. When the power adapter is connected, the function will be set to [OFF].

³ Only when [LED] is set to a setting other than [OFF]. When [LED] is set to [OFF], this function will be set to [OFF] as well.

CAMERA CARD Availability of custom functions in each recording program/playback mode

Custom Function			<input type="checkbox"/>	<input type="checkbox"/> A	Tv	Av	M	<input type="checkbox"/>	<input type="checkbox"/>	VCR/ PLAY
00	SHCKLSS WB/GN	WHITE BALANCE	-							-
		GAIN	(OFF)							-
01	AE RESPONSE		-							-
			(MID)							-
02	HIGH-SPEED ZOOM		-							-
			(ON)							-
03	FOCUS RING CTRL		●							-
04	BUTTONS OPER.	MAGN.	-	●						-
		WB SET	-	●						-
		EXP.LOCK	-	●	●	●	-	-	-	-
		PUSH AF	●							-
05	RINGS DIRECTION	ZOOM	●							-
		FOCUS	●							-
		IRIS	-	● ¹	● ¹	●	●	-	-	-
06	DIALS DIRECTION	CURSOR	●							●
		SHUTTER	-	● ¹	●	● ¹	●	-	-	-
07	FOCUS PRIORITY		-	●						-
			(ON)							-
08	SIMULT.IMG.REC		-							-
09	MARKER LEVEL	MARKER	●							-
		ASPECT	-							-
		SAFETY	-							-
10	F.AST BW-MOD	MAGN.	-	●						-
		PEAKING	-	●						-
11	OBJ DST UNIT		-	●						-
12	ZOOM INDICATOR		●							-
13	COLOR BARS		-							-
14	1kHz TONE		-							-
15	WIRELESS REMOTE		●							●
16	POWER SAVE		● ²							- (OFF)
17	TALLY LAMP		-							-
18	LED		●							●
19	BEEP		●							●
20	CHARACTER REC		-							-

¹ Only during exposure lock.

² Only when using a battery pack. When the power adapter is connected, the function will be set to [OFF].

Custom Function Items List

The default value for all items is the option assigned to 00.

00 [SHCKLSS WB/GN] Shockless White Balance/Gain **CAMERA**

The shockless setting will ensure a softer transition when changing the white balance or gain.

CAMERA mode: The shockless gain will not function when changing the gain setting from/to -3 dB or +36 dB.

Setting Options	Shockless white balance	Shockless gain
00	OFF	OFF
01	ON	ON
02	OFF	
03	ON	

01 AE Response [AE RESPONSE] **CAMERA**

Selects the camcorder's response when you change the automatic exposure setting.

Setting Options: 00 – MIDDLE, 01 – HIGH, 02 – LOW.

02 [HIGH-SPEED ZOOM] High-speed Zoom **CAMERA**

In **CAMERA** mode, makes the zoom operation at the constant zoom speeds 14 - 16 even faster (in **CAMERA·CARD** mode the default is [ON] and cannot be changed).

- When set to [ON], if you operate the zoom ring very quickly the zoom response may lag slightly.
- At the fastest zoom speed settings the autofocus may not work correctly.

Setting Options: **00** – OFF, 01 – ON.


03 [FOCUS RING CTRL] Focus Ring Control **CAMERA** **CAMERA·CARD**

Selects the sensitivity of the response when operating the FOCUS ring.

Setting Options: **00** – NORMAL, 01 – SLOW.

04 [BUTTONS OPER.] Buttons Operation **CAMERA** **CAMERA·CARD**

Changes the length of pressing various buttons to prevent their accidental operation. When you select [LONG PUSH], keep the button pressed for more than 1 second.

Setting Options	MAGN. button	WHITE BAL.  button	EXP. LOCK button	PUSH AF button
00	ONE PUSH	ONE PUSH	ONE PUSH	ONE PUSH
01	LONG PUSH	LONG PUSH	LONG PUSH	LONG PUSH
02	ONE PUSH			
03	LONG PUSH			
04	ONE PUSH	ONE PUSH	LONG PUSH	LONG PUSH
05	LONG PUSH	LONG PUSH		
06	ONE PUSH			
07	LONG PUSH			
08	ONE PUSH	ONE PUSH	ONE PUSH	LONG PUSH
09	LONG PUSH	LONG PUSH	LONG PUSH	
10	ONE PUSH			
11	LONG PUSH			
12	ONE PUSH	ONE PUSH		
13	LONG PUSH	LONG PUSH		
14	ONE PUSH			
15	LONG PUSH			

05 [RINGS DIRECTION] Rings Direction **CAMERA** **CAMERA·CARD**

Changes the direction of the adjustment when turning the camcorder's rings.

Zoom ring: NORMAL – turn up for wide angle **W**, REVERSE – turn down for wide angle **W**.

Focus ring: NORMAL – turn up to focus closer, REVERSE – turn down to focus closer.

Iris ring: NORMAL – turn up to close, REVERSE – turn down to close.

Setting Options	Zoom ring	Focus ring	Iris ring
00	NORMAL	NORMAL	NORMAL
01	REVERSE	REVERSE	REVERSE
02	NORMAL		
03	REVERSE		
04	NORMAL	NORMAL	REVERSE
05	REVERSE	REVERSE	
06	NORMAL		
07	REVERSE		

06 [DIALS DIRECTION] Dials Direction **CAMERA** **CAMERA · CARD**

Changes the direction of the adjustment when operating the shutter dial and the SELECT/SET dial when it serves as a cursor (for example, while selecting setting options in the menu screens or in the index screen).
 SELECT/SET dial ([CURSOR]): NORMAL – turn up to move left, REVERSE – turn down to move left.
 SHUTTER dial: NORMAL – turn up for a faster shutter speed, REVERSE – turn down for a faster shutter speed.

Setting Options	SELECT/SET dial ([CURSOR])	SHUTTER dial
00	NORMAL	NORMAL
01	REVERSE	
02	NORMAL	REVERSE
03	REVERSE	

07 [FOCUS PRIORITY] Focus Priority **CAMERA · CARD**

When set to [ON], when you press the PHOTO button in **CAMERA · CARD** mode a still image will be recorded only after the autofocus has been adjusted. When set to [OFF] the still image will be recorded as soon as you press the PHOTO button.
 Setting Options: 00 – ON, 01 – OFF.

08 [SIMULT.IMG.REC] Simultaneous Recording of a Still Image **CAMERA** **CAMERA · CARD**

Selects whether you can record a still image on the memory card while recording on the tape. When set to [ON+CP DATA] the custom preset settings currently in use will be recorded along with the still image.
 Setting Options: 00 – OFF, 01 – ON, 02 – ON+CP DATA.

09 [MARKER LEVEL] Markers' Intensity Level **CAMERA** **CAMERA · CARD**

Selects the intensity of the markers displayed on the screen between 40% (gray) and 100% (white).

Setting Options	Level/Center/Grid markers	Aspect ratio guides	Safety zone guides
00	100%	100%	100%
01	40%		
02	100%	40%	
03	40%		
04	100%	100%	40%
05	40%		
06	100%	40%	
07	40%		

10 [F.AST BW-MOD] Focus Assist Function B&W Display Mode **CAMERA** **CAMERA · CARD**

Changes the display mode to black & white while the focus assist functions are activated.

Setting Options	Magnifying	Peaking
00	OFF	OFF
01	ON	
02	OFF	ON
03	ON	

11 [OBJ DST UNIT] Object Distance Units Display **CAMERA** **CAMERA · CARD**

Selects the units for the display of the distance to the object between meters and feet.
 Setting Options: 00 – m (meter), 01 – ft (feet).

12 [ZOOM INDICATOR] Zoom Indicator Display **CAMERA** **CAMERA · CARD**

Selects the display of the zoom indicator between a graphic bar and a numeric display.
 Setting Options: 00 – BAR, 01 – NUMBER.

13 [COLOR BARS] Color Bars Signal **CAMERA** **CAMERA · CARD**

Selects the type of signal to use to produce the color bars: EBU color bars (type 1) or SMPTE color bars (type 2).
 Setting Options: 00 – TYPE 1, 01 – TYPE 2.

14 [1kHz TONE] 1 kHz Reference Audio Signal CAMERA CAMERA·CARD

Selects the strength of the audio signal.

Setting Options: 00 – OFF, 01 – -12dB, 02 – -20dB.

15 [WIRELESS REMOTE] Wireless Remote Controller CAMERA CAMERA·CARD

Selects the remote sensor mode that the camcorder will accept. When set to [OFF] the camcorder will not accept commands from wireless controllers.

Setting Options: 00 – 1, 01 – 2, 02 – OFF.

16 [POWER SAVE] Power Save Mode CAMERA CAMERA·CARD

Activates the power save function so the camcorder automatically shuts off when powered by a battery and left without operation for approximately 5 minutes.

Setting Options: 00 – ON, 01 – OFF.

17 [TALLY LAMP] Tally Lamp CAMERA CAMERA·CARD

Selects the operation of the tally lamp. Even if set to [OFF], the tally lamp will turn on when receiving a command from the wireless controller.

Setting Options: 00 – ON, 01 – BLINK, 02 – OFF.

18 [LED] LED Indicators CAMERA CAMERA·CARD

Selects the operation of the LED indicators on the camcorder. When set to type 1 all LED indicators will be on, except for that of the HDV/DV terminal. When set to type 2, all LED indicators (including that of the HDV/DV terminal) will be on.

Setting Options: 00 – TYPE 1, 01 – TYPE 2, 02 – OFF.

19 [BEEP] Beep CAMERA CAMERA·CARD

Selects the volume for the camcorder's operations and warning beeps.

Setting Options: 00 – OFF, 01 – LOW VOLUME, 02 – HIGH VOLUME.

20 [CHARACTER REC] Superimposing Character Recording CAMERA CAMERA·CARD

Selects whether to embed the on-screen character displays (date and time) as part of the video recording.

When set to [ON], the menu option [TV SCREEN] will not be available and [COMP.OUT] will automatically be set to [1080i/576i] and you will not be able to select [576i].

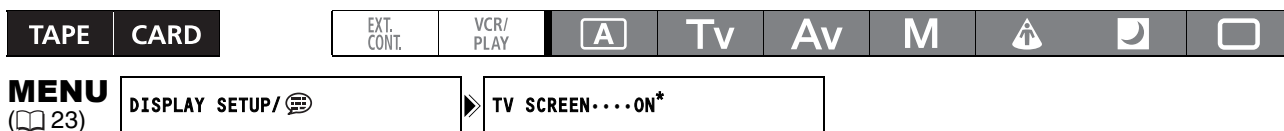
Setting Options: 00 – OFF, 01 – ON.

Customizing the On-Screen Displays

Hiding/Showing the Displays on the TV Screen

When you connect a TV for recording, you can select to hide the camcorder displays on the TV screen. For playback, you can show the camcorder displays on the TV screen.

To activate the on-screen displays at the level that you customized, repeatedly press the DISP. button (p. 27).



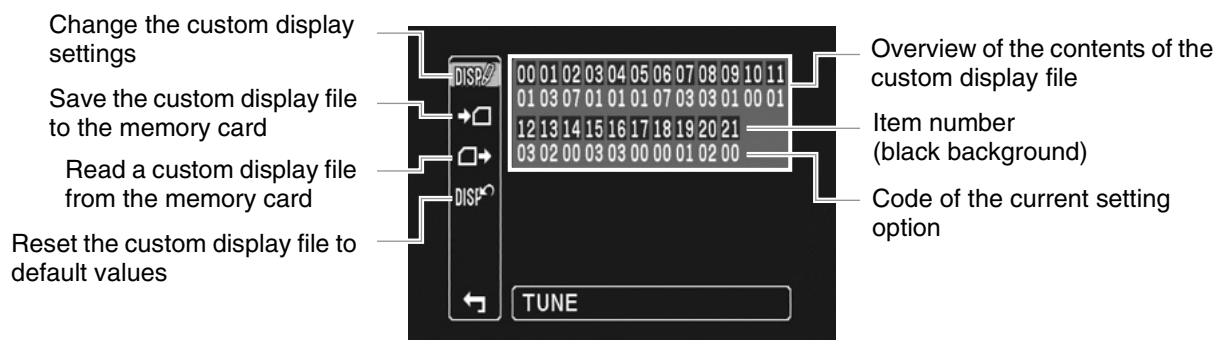
* In recording mode. The default value in playback modes is [OFF].

Open the menu and select [DISPLAY SETUP/...]. Select [TV SCREEN], set it to [ON] or [OFF] and close the menu.

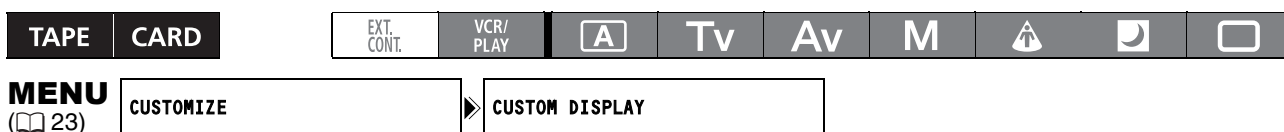
The displays appear on or disappear from the TV screen, according to the setting selected.

Customizing the On-Screen Displays

You can customize which icons to display on the screen according to your personal preferences and needs. You can save your personal settings as a custom display file on the camcorder or on the memory card.



Changing the Custom Display Settings



- 1. Open the menu, select [CUSTOMIZE] and then select [CUSTOM DISPLAY].**

The custom display editing screen appears.
The current settings of the selected custom display file will be shown in the custom display item list.
- 2. From the column on the left, select [DISP/TUNE].**

The first item in the list will be highlighted in blue.
- 3. From the list, select an item you want to adjust and press the SELECT/SET dial. Make the selection as necessary and press the SELECT/SET dial.**

Repeat this step to adjust all the items you want to adjust.
- 4. When you finish adjusting all the items in the custom display file, select [RETURN], press the SELECT/SET dial and close the menu.**
- 5. Repeatedly press the DISP. button to select the display level you customized.**



The custom display items appear in one screen represented only by the item number on the top (numbers 00 – 21 with a black background), and the code of the current setting immediately under it.

Resetting a Custom Display File

1. Open the menu, select [CUSTOMIZE] and then select [CUSTOM DISPLAY].
2. From the column on the left select [DISP[∞] RESET].
3. Select [OK], press the SELECT/SET dial and close the menu.

Copying a Custom Display File to the Memory Card

1. Open the menu, select [CUSTOMIZE] and then select [CUSTOM DISPLAY].
2. From the column on the left select [→SAVE TO CARD].
3. Select [OK], press the SELECT/SET dial and close the menu.

Loading a Custom Display File from the Memory Card

1. Open the menu, select [CUSTOMIZE] and then select [CUSTOM DISPLAY].
2. From the column on the left select [→READ FROM CARD].
3. Select [OK], press the SELECT/SET dial and close the menu.

Custom Display Items List

The default value for all items is the option assigned to 00.

00 [REC PROGRAMS] Recording Mode Icon **CAMERA** **CAMERA·CARD**

Setting Options: 00 – OFF, 01 – ON.

01 [CAMERA DATA1] Camera Data (1/2) **CAMERA** **CAMERA·CARD**

Setting Options	Aperture value	Shutter speed value
00	OFF	OFF
01	ON	
02	OFF	ON
03	ON	

02 [CAMERA DATA2] Camera Data (2/2) **CAMERA** **CAMERA·CARD**

Setting Options	Exposure display	White Balance display	Gain selection display
00	OFF	OFF	OFF
01	ON		
02	OFF	ON	
03	ON		
04	OFF	OFF	ON
05	ON		
06	OFF		
07	ON		

03 [ZOOM] Zoom Indicator **CAMERA** **CAMERA·CARD**

You can select to display the zoom indicator permanently or only when operating the zoom.

Setting Options: 00 – OFF, 01 – ON(NORMAL), 02 – ON(ALWAYS).

04 [FOCUS] Focus Distance Display **CAMERA** **CAMERA·CARD**

You can select to display the focus distance indication permanently or only when operating the focus.

Setting Options: 00 – OFF, 01 – ON(NORMAL), 02 – ON(ALWAYS)

05 [ND] ND Filter displays **CAMERA**

Setting Options: 00 – OFF, 01 – ON.

06 [IMAGE EFFECTS] Image Effects **CAMERA** **CAMERA·CARD**

Setting Options	Skin detail	Sky detail	Color correction
00	OFF	OFF	OFF
01	ON		
02	OFF	ON	
03	ON		
04	OFF	OFF	ON
05	ON		
06	OFF	ON	
07	ON		

07 [F.ASSIST FUNC.] Focus Assist Functions **CAMERA** **CAMERA·CARD**

Setting Options	Peaking	Magnifying
00	OFF	OFF
01	ON	
02	OFF	ON
03	ON	

08 [CUSTOMIZE] Customized Functions **CAMERA** **CAMERA·CARD**

Setting Options	Custom Preset Displays	Custom Function Displays
00	OFF	OFF
01	ON	
02	OFF	ON
03	ON	

09 [RECORDING STD] HD Standard Icon **CAMERA**

Setting Options: 00 – OFF, 01 – ON.

10 [DV REC MODE] Recording Mode in Standard Definition **CAMERA**

Setting Options: 00 – OFF, 01 – ON.

11 [FRAME RATE] Frame Rate Display **CAMERA**

Setting Options: 00 – OFF, 01 – ON.

12 [TAPE] Tape-Related Icons and Displays **CAMERA**

Setting Options	Time Code	Operation mode icon	DV Control displays
00	OFF	OFF	OFF
01	ON		
02	OFF	ON	
03	ON		
04	OFF	OFF	ON
05	ON		
06	OFF	ON	
07	ON		

13 [TAPE REMAINDER] Remaining Time on the Tape **CAMERA**

You can select to display the tape remainder permanently or only the warning when the tape is about to end.

Setting Options: 00 – OFF, 01 – NORMAL, 02 – WARNING.

14 [TAPE/CARD] Tape/Card-Related Displays **CAMERA** **CAMERA·CARD**

Setting Options	External control	Image Stabilizer	Still image size/quality icon
00	OFF	OFF	OFF
01	ON		
02	OFF	ON	
03	ON		
04	OFF	OFF	ON
05	ON		
06	OFF	ON	
07	ON		

15 [LIGHT METERING] Light Metering-Related Displays **CAMERA · CARD**

Setting Options	SPOT AE point	Light metering mode icon
00	OFF	OFF
01	ON	
02	OFF	ON
03	ON	

16 [CARD] Still Images-Related Icons **CAMERA · CARD**

Setting Options	Drive mode icon	Flash display
00	OFF	OFF
01	ON	
02	OFF	ON
03	ON	

17 [CARD REMAINDER] Remaining Still Images on the Memory Card **CAMERA · CARD**

You can select to display the information regarding the number of still images available on the memory card permanently or only the warning when the memory card is about to get full.

Setting Options: 00 – OFF, 01 – NORMAL, 02 – WARNING.

18 [AUDIO] Audio-Related Displays **CAMERA** **CAMERA · CARD** (except for DV audio)

Setting Options	Microphone mode	XLR icon	Audio mode in standard definition [DV AUDIO]
00	OFF	OFF	OFF
01	ON		
02	OFF	ON	
03	ON		ON
04	OFF	OFF	
05	ON		
06	OFF	ON	
07	ON		

19 [CONDENSATION] Condensation Warning Icon **CAMERA** **CAMERA · CARD**

Setting Options: 00 – OFF, 01 – ON.

20 [BATTERY] Battery-Related Displays **CAMERA** **CAMERA · CARD**

You can select to display the information regarding the battery pack permanently or only the warning when the battery is almost empty.

Setting Options: 00 – OFF, 01 – NORMAL, 02 – WARNING.

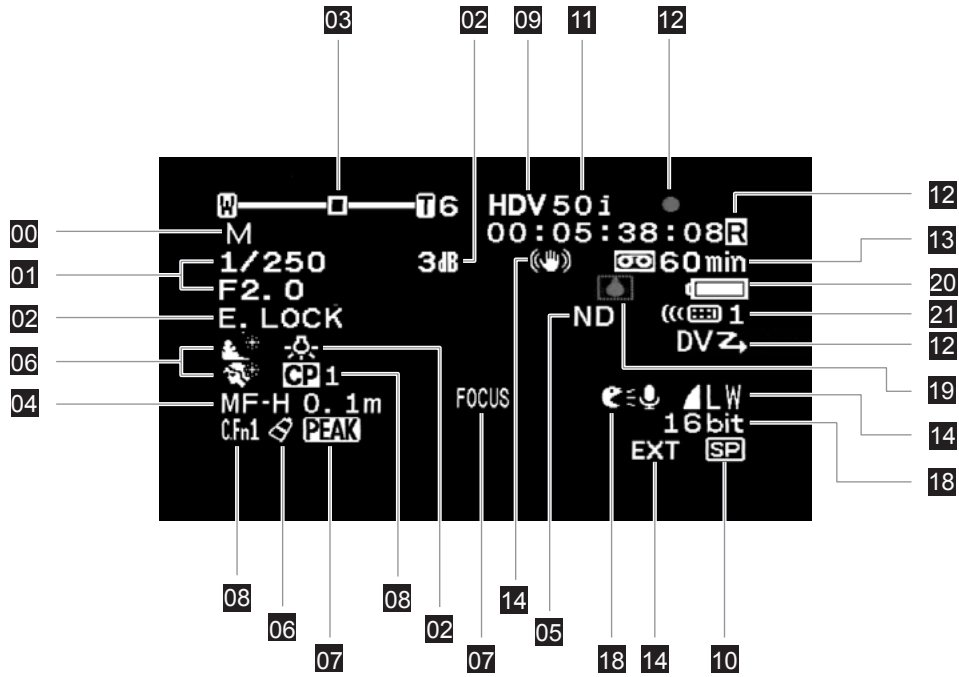
21 [WIRELESS REMOTE] Wireless Remote Display **CAMERA** **CAMERA · CARD**

You can select to display the information regarding the wireless controller permanently or only related warnings.

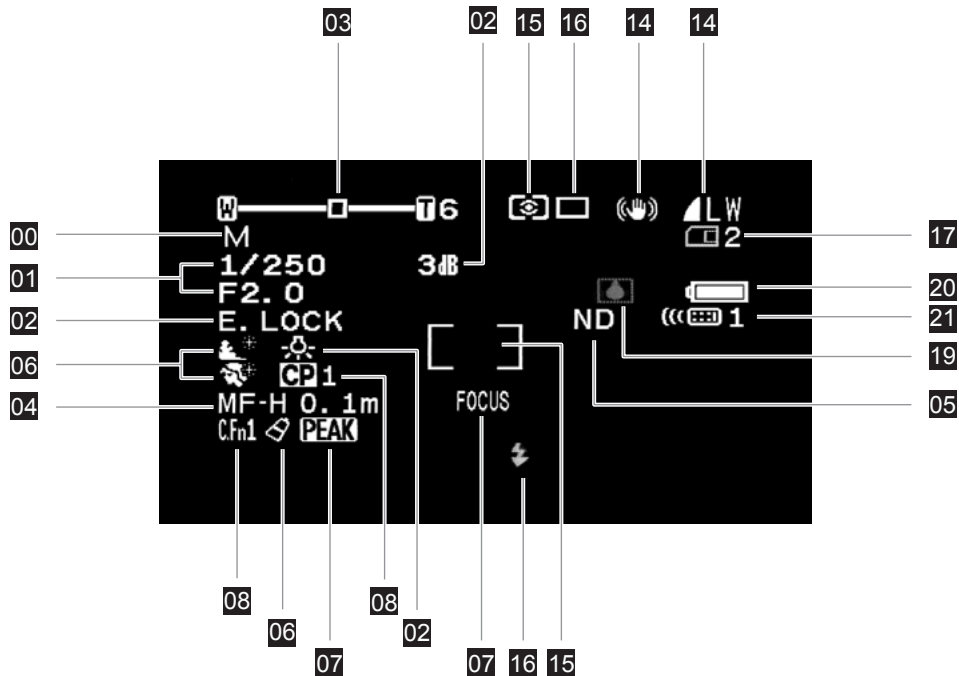
Setting Options: 00 – OFF, 01 – NORMAL, 02 – WARNING.

Location of the Custom Displays

CAMERA / **EXT. CONT.**



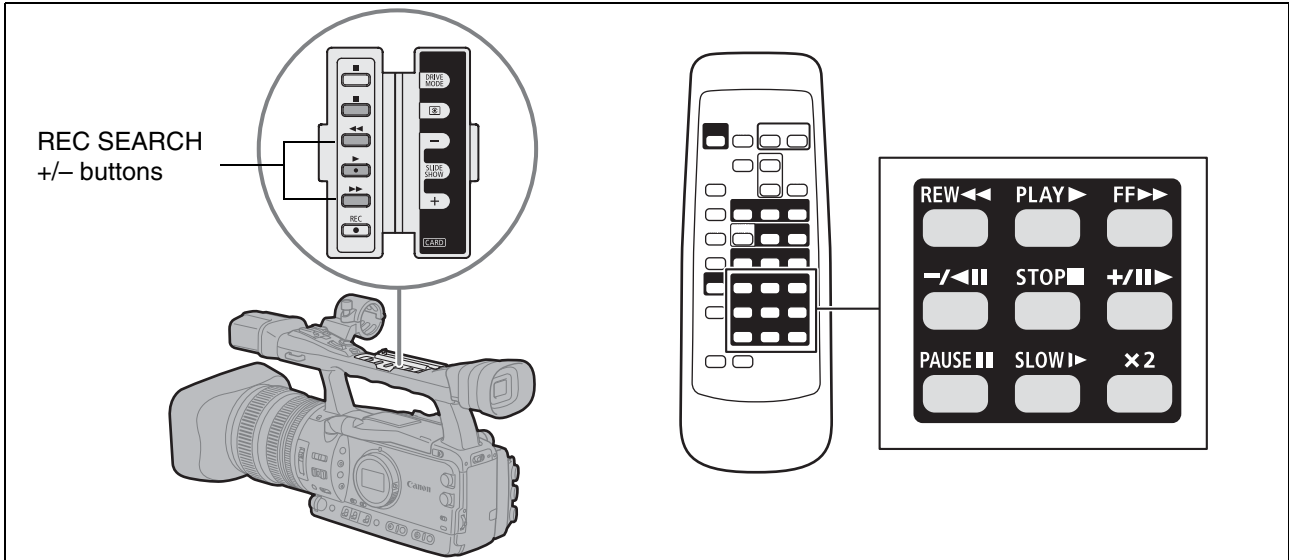
CAMERA · CARD



Playing Back a Tape

If the playback picture is distorted, clean the video heads using a Canon Video Head Cleaning Cassette or a commercially available digital video head-cleaning cassette (144).

Select a playback standard according to the tape you wish to play back.



1. Set the **POWER** dial to **VCR/PLAY**.
2. Open the menu and select **[SIGNAL SETUP]**. Select **[PLAYBACK STD]** and set it to **[AUTO]**, **[HDV]** or **[DV]** to match the tape you wish to playback.
3. Close the menu.

Special Playback Modes

All special playback modes except for fast forward playback, rewind playback and playback pause can only be operated with the wireless controller.

HDV

▶|| (Playback Pause)

To pause playback, press the **||** button on the camcorder or the **PAUSE ||** button on the wireless controller during normal playback.

◀◀ (Rewind Playback) / ▶▶ (Fast Forward Playback)

Press down and hold the **◀◀** or **▶▶** button on the camcorder or the **REW ◀◀** or **FF ▶▶** button on the wireless controller during normal playback, rewind or fast forward to enter the fast playback at 8x the normal playback speed.

◀x1 (Reverse Playback)

Press the **-/◀||** button on the wireless controller during normal playback. Press the **▶** (play) button to return to normal playback.

▬▶ (Frame Advance)

Plays back frame-by-frame. Repeatedly press the button on the +/▬▶ wireless controller during playback pause. Hold the button pressed down to enter the continuous frame advance playback.

▬▶ (Slow Forward)

Plays back at about 1/3 normal speed. Press the SLOW ▬▶ button on the wireless controller during normal or reverse playback. Press the ▶ (play) button to return to normal playback.



▶▬▬ (Playback Pause)

To pause playback, press the ▬▬ button on the camcorder or the PAUSE ▬▬ button on the wireless controller during normal playback.

◀◀ (Rewind Playback) / ▶▶ (Fast Forward Playback)

Plays back the tape at 11.5 times normal speed (forward or reverse). Press down and hold the ◀◀ or ▶▶ button on the camcorder or the REW ◀◀ or FF ▶▶ button on the wireless controller during normal playback, rewind or fast forward to enter the fast playback.

◀▬▬ (Frame Reverse) / ▬▬▶ (Frame Advance)

Plays back frame-by-frame. Press the -/◀▬▬ or +/▬▬▶ button on the wireless controller repeatedly during playback pause. Hold the button pressed down to enter the continuous frame advance/reverse playback.

◀▬ (Slow Reverse) / ▬▶ (Slow Forward)

Plays back at about 1/3 normal speed. Press the SLOW ▬▶ button on the wireless controller during normal or reverse playback. Press the ▶ (play) button to return to normal playback.

◀×1 (Reverse Playback)

Press the -/◀▬▬ button on the wireless controller during normal playback. Press the ▶ (play) button to return to normal playback.

◀×2 (Reverse x2 Playback) / ×2▶ (Forward x2 Playback)

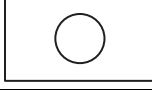
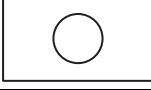
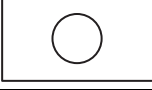
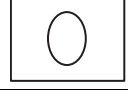
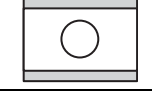
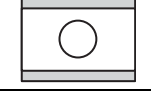

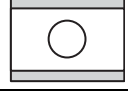




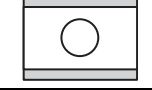
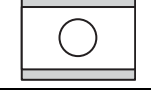

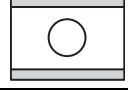
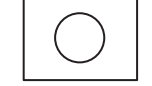
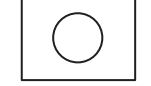
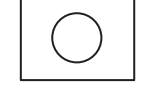
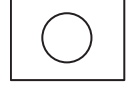
Plays back at 2 times normal speed. Press the ×2 button on the wireless controller during normal or reverse playback. Press the ▶ (play) button to return to normal playback.



- The sound will be muted during special playback.
- The picture may become distorted during some special playback modes.
- The camcorder stops the tape automatically after 4 minutes 30 seconds in playback pause mode to protect the tape and video heads.
- In fast forward playback, rewind playback and reverse playback of a tape recorded in HDV mode, the picture may be distorted.
- The picture may be slightly distorted at the switch point between recordings in HDV and DV standards on the tape.

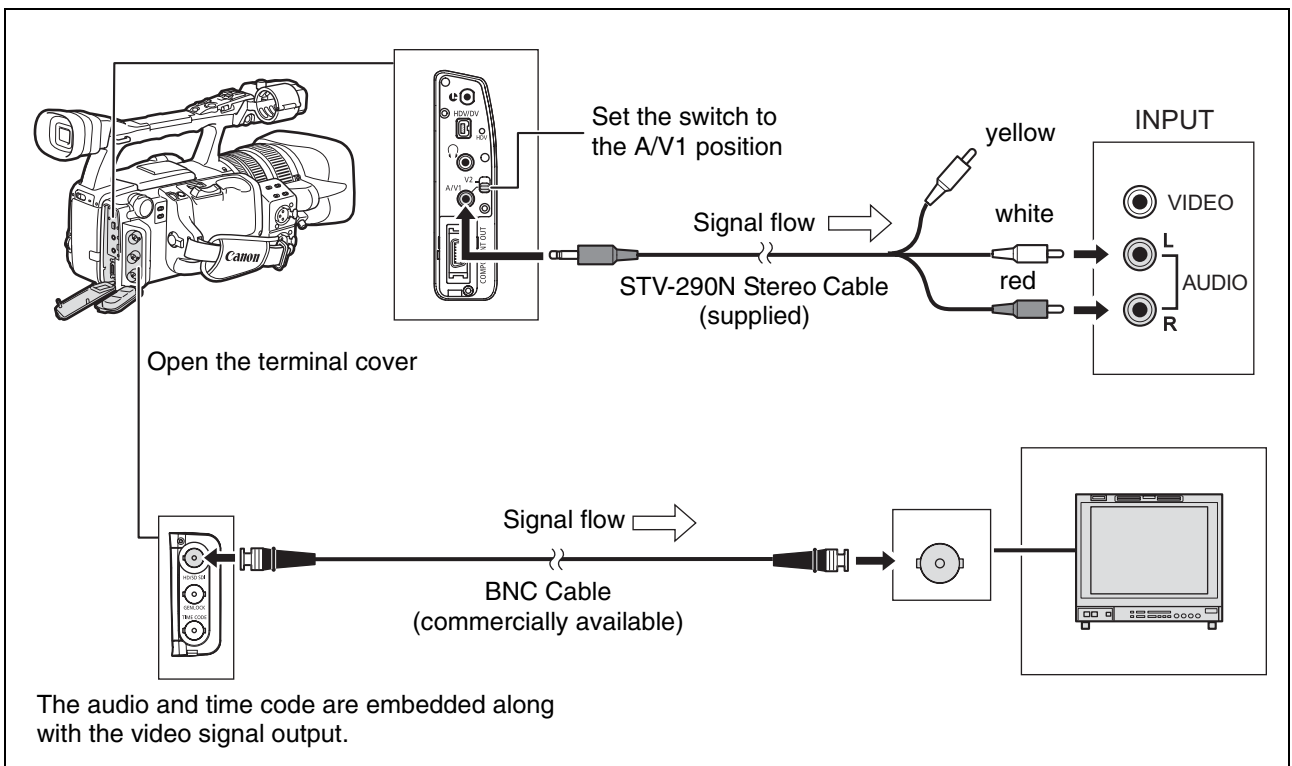
Connecting to a Monitor/TV

The different recording modes and the corresponding output terminals are given in the table below:

		XHG1 HD/SD SDI Terminal	COMPONENT OUT Terminal	HDV/DV Terminal	Video Terminals
HD	[LETTERBOX] set to [OFF]	1920x1080 	D3 (1440x1080) 	MPEG TS 	
	[LETTERBOX] set to [ON]	SD SDI 	D1 (SD) 	MPEG TS 	
SD in 16:9	[LETTERBOX] set to [OFF]	640x480 	D1 (SD) 	DV (SD) 	
	[LETTERBOX] set to [ON]	SD SDI 	D1 	DV (SD) 	
SD in 4:3		640x480 	D1 (SD) Normal 	DV (SD) 	

Connection to a High Definition TV or Monitor (HDTV/HiVision)

1 **XHG1** Using the SD/HD SDI Terminal

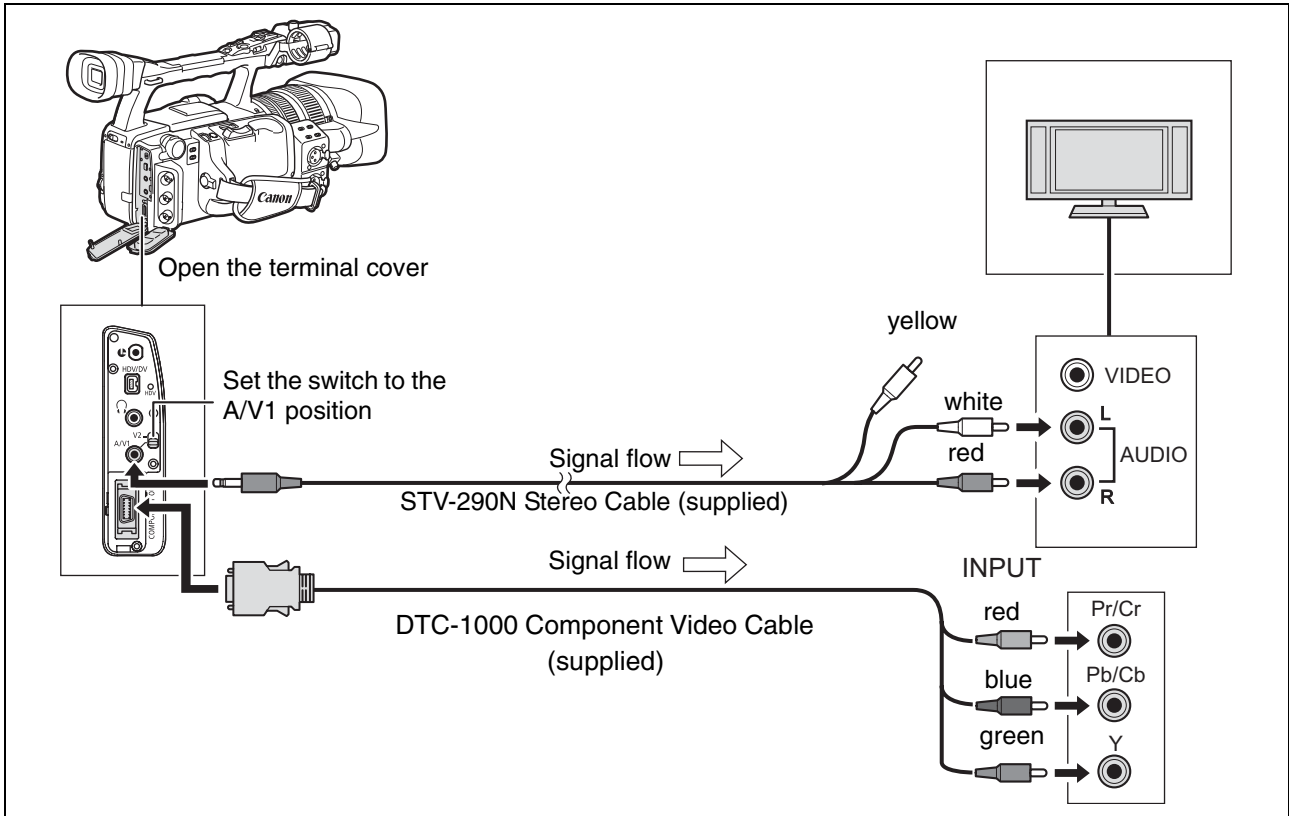


Activate the HD/SD SDI output and select the appropriate video output option (HD or SD).

1. Set the **POWER** dial to **VCR/PLAY**.

2. Open the menu and select [SIGNAL SETUP]. Select [SDI OUTPUT] and set it to [ON].
3. From the same [SIGNAL SETUP] submenu select [SDI SPEC.]. Select [AUTO] or [SD LOCKED] to match the video output you wish to use.
4. Close the menu.

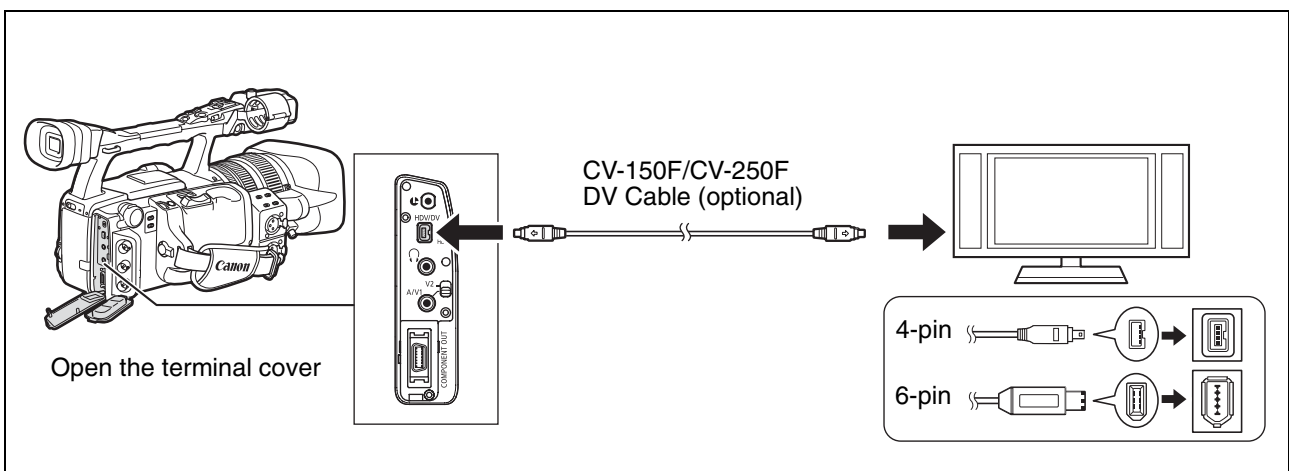
2 Using the COMPONENT OUT Terminal



Select the appropriate component video signal depending on the TV or monitor you connect.

Open the menu and select [SIGNAL SETUP]. Select [COMP. OUT], select a setting option and close the menu.

3 Using the HDV/DV Terminal



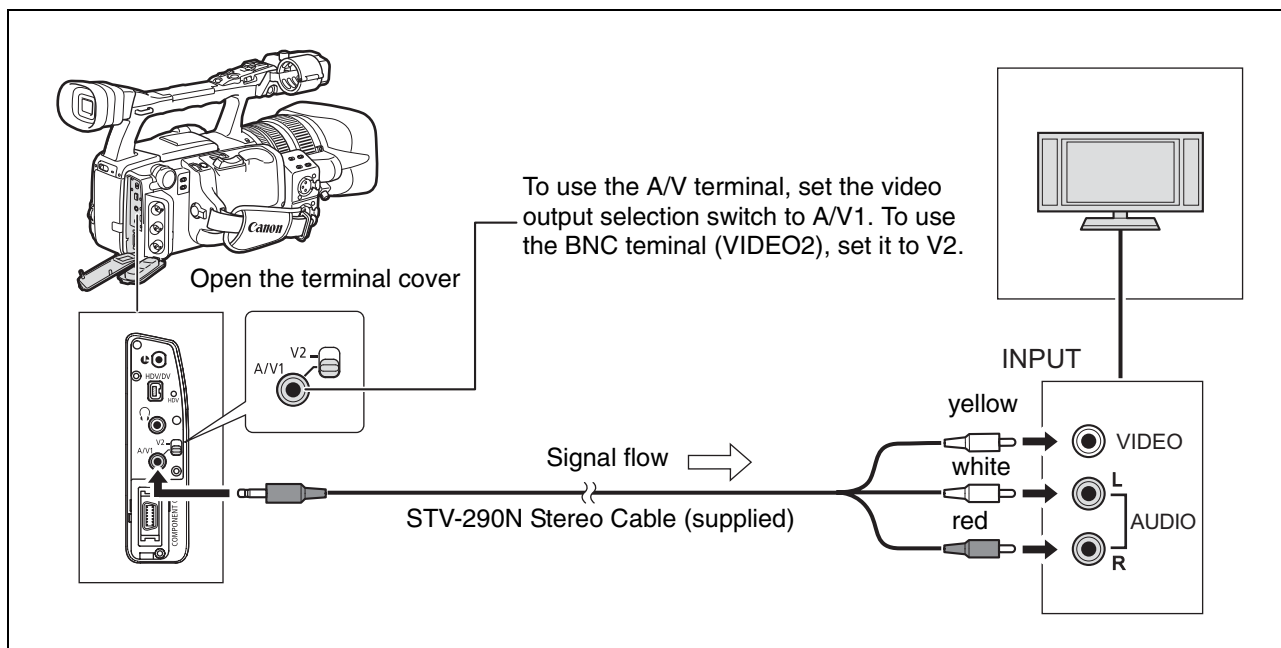
- When connecting the camcorder to a monitor TV that supports DV, you may need to carry out a procedure on the TV to recognize the camera. Refer to the instruction manual of the TV or monitor.

- If necessary, turn on the DV conversion and select whether to convert a tape recorded in HD to SD with the following procedure.

Open the menu and select [SIGNAL SETUP]. Select [HD DOWN-CONV], select a setting option and close the menu.

4 Using the VIDEO Terminal

If connecting to a TV, set the input selector to VIDEO. If connecting to a VCR, set the input selector to LINE. Refer also to the instruction manual of the TV or VCR.



We recommend powering the camcorder from a household power outlet.

Connection to a Normal TV or Monitor (Non-HDTV/HiVision)

1 Using the COMPONENT OUT Terminal

Refer to the connection diagram in the previous section (94).

Select the appropriate component video signal depending on the TV or monitor you connect.

Open the menu and select [SIGNAL SETUP]. Select [COMP. OUT], select a setting option and close the menu.

2 Using the VIDEO Terminal

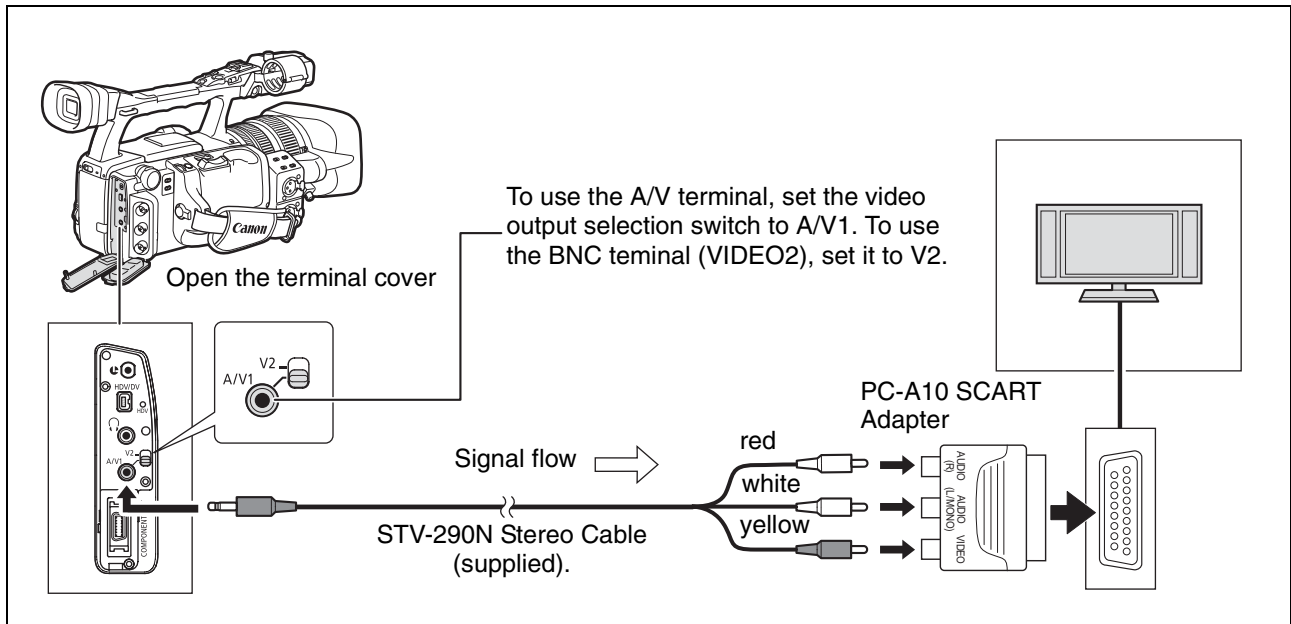
Refer to the connection diagram in the previous section (95).

If connecting to a TV set the input selector to VIDEO. If connecting to a VCR, set the input selector to LINE. Refer also to the instruction manual of the TV or VCR.

If connecting to a TV set with a 4:3 aspect ratio, change the [LETTERBOX] setting appropriately.

Open the menu and select [SIGNAL SETUP]. Select [LETTERBOX], set it to [ON] and close the menu.

3 Using the SCART Adapter



If connecting to a TV set the input selector to VIDEO. If connecting to a VCR, set the input selector to LINE. The supplied PC-A10 SCART Adapter is for output only. For analog line-in recording or analog-digital conversion, use a commercially available SCART adapter with input capability. Refer also to the instruction manual of the TV or VCR. If connecting to a TV set with a 4:3 aspect ratio, change the [LETTERBOX] setting appropriately. **Open the menu and select [SIGNAL SETUP]. Select [LETTERBOX], set it to [ON] and close the menu.**



We recommend powering the camcorder from a household power outlet.

SD Audio Output

TAPE CARD

EXT. CONT. VCR/PLAY [A] Tv Av M [Up Arrow] [Down Arrow] [Right Arrow]

E

Selecting the Audio

MENU (23) AUDIO SETUP ▶ SEL AUDIO CH·CH **1/3** / CH **2/4**

Open the menu and select [AUDIO SETUP]. Select [SEL AUDIO CH], select a setting option and close the menu.

Selecting the Audio Monitor

MENU (23) AUDIO SETUP ▶ AUD.M.SET...CH **1/2**

Open the menu and select [AUDIO SETUP]. Select [AUD.M.SET], select a setting option and close the menu.

If you selected [MIX/VAR.], adjust the mix balance with the MIX BALANCE buttons on the wireless controller.

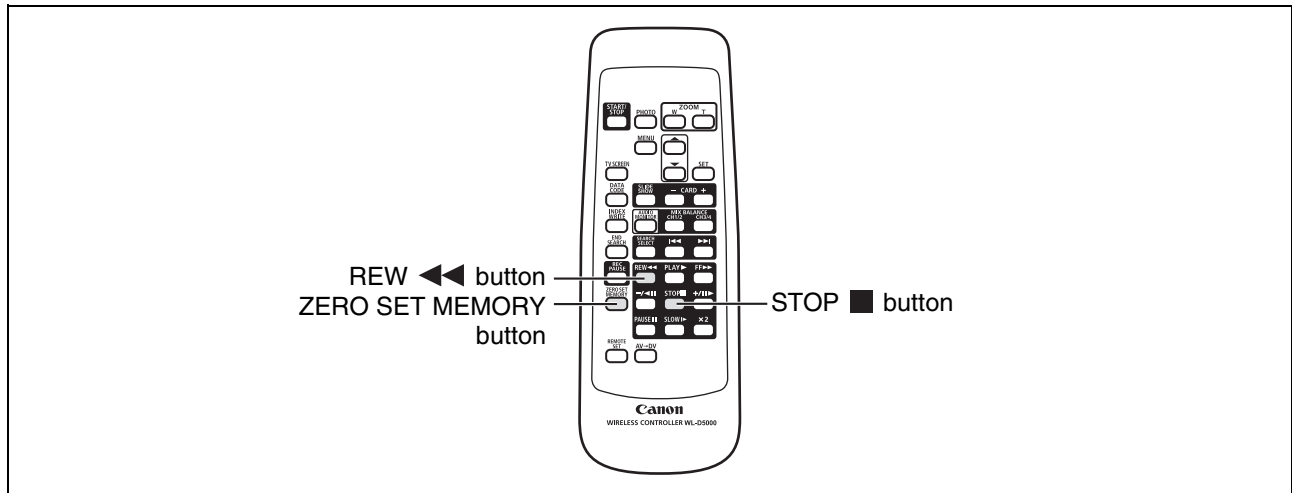
Audio Output Selected	Audio Recordings on 2 Channels	Audio Monitor [AUD.M.SET]	Audio Recordings on 4 Channels
CH 1/3 / CH 2/4	Left Output: L or CH1 Right Output: R or CH2	CH 1/2	Left Output: CH1 Right Output: CH2
		CH 3/4	Left Output: CH3 Right Output: CH4
		MIX/FIXED	Left Output: CH1+CH3 Right Output: CH2+CH4 Mix balance fixed at 1:1
		MIX/VAR.	Left Output: CH1+CH3 Right Output: CH2+CH4 Mix balance can be adjusted
CH 1/3 / CH 1/3	Left Output: L or CH1 Right Output: L or CH1	CH 1/2	Left Output: CH1 Right Output: CH1
		CH 3/4	Left Output: CH3 Right Output: CH3
		MIX/FIXED	Left Output: CH1+CH3 Right Output: CH1+CH3 Mix balance fixed at 1:1
		MIX/VAR.	Left Output: CH1+CH3 Right Output: CH1+CH3 Mix balance can be adjusted
CH 2/4 / CH 2/4	Left Output: R or CH2 Right Output: R or CH2	CH 1/2	Left Output: CH2 Right Output: CH2
		CH 3/4	Left Output: CH4 Right Output: CH4
		MIX/FIXED	Left Output: CH2+CH4 Right Output: CH2+CH4 Mix balance fixed at 1:1
		MIX/VAR.	Left Output: CH2+CH4 Right Output: CH2+CH4 Mix balance can be adjusted

Playback

Returning to a Pre-marked Position

If you wish to return to a particular scene later, mark the point with the zero set memory, and the tape will stop at that point when you rewind/fast forward the tape.

This function is operated with the wireless controller.



1. During playback, press the ZERO SET MEMORY button at the point you wish to return to later.

- The tape counter is reset to 0:00:00 and the **M** mark appears.
- To cancel, press the ZERO SET MEMORY button again.

2. After you finish playing back the tape, stop and rewind it.

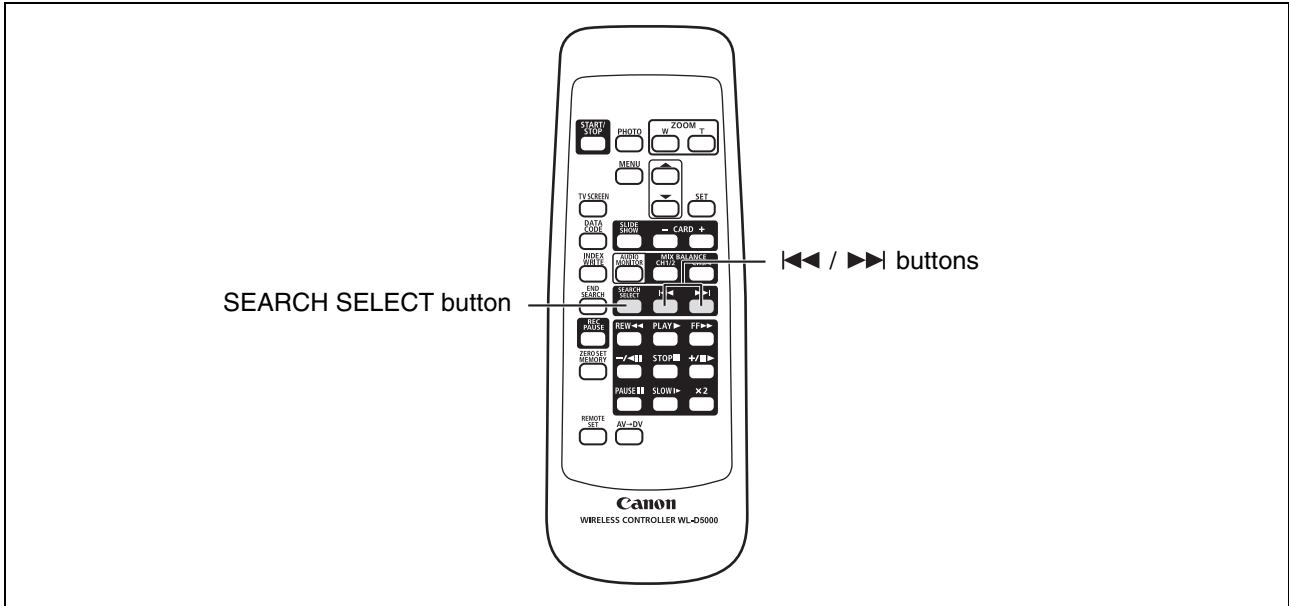
- If the tape counter shows a negative value, fast forward the tape instead.
- The tape stops automatically at "0:00:00" and the **M** mark disappears.
- The tape counter changes to time code.



- The zero set memory may not function correctly if the time code has not been recorded consecutively.
- The zero set memory function may not work correctly if you mix recordings in HDV and DV standards on the same tape.

Index Search

With the index search you can locate any point you have marked beforehand with an index signal (67). This function is operated with the wireless controller.



1. Press the SEARCH SELECT button to display “INDEX SEARCH”.

→ appears.

2. Press the ◀◀ or ▶▶ button to begin searching.

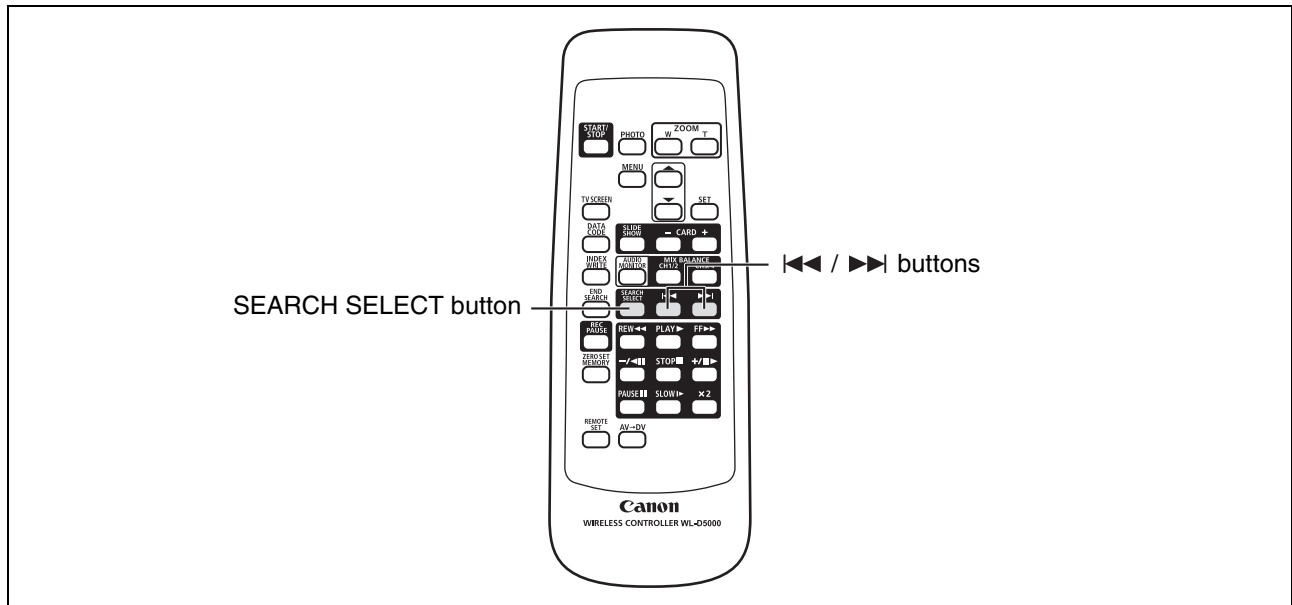
- Press more than once to search for further index signals (up to 10 times).
- Press the STOP button to stop searching.



- Playback may start slightly before or after the index signal.
- The index search function may not work correctly if you mix recordings in HDV and DV standards on the same tape.

Date Search

You can locate the change of the date/time zone with the date search function.
This function is operated with the wireless controller.



1. Press the **SEARCH SELECT** button to display “DATE SEARCH”.

→ appears.

2. Press the **◀◀ or ▶▶** button to begin searching.

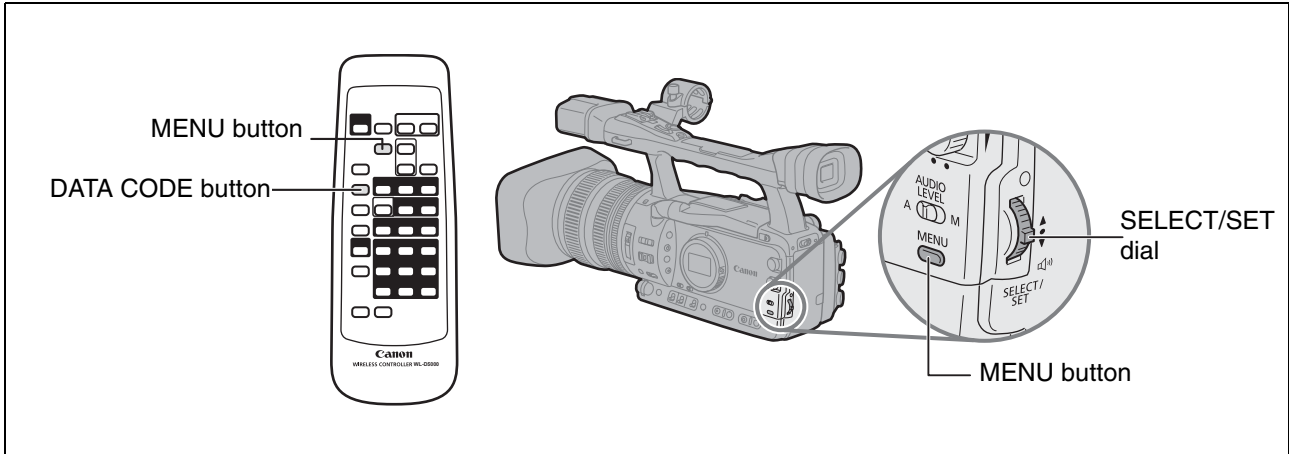
- Press more than once to search for further date changes (up to 10 times).
- Press the **STOP** button to stop searching.



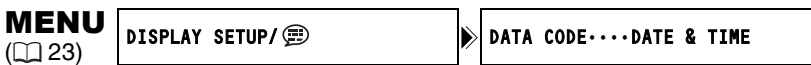
- A recording of longer than a minute per date/time zone is required.
- The date search may not function if the data code is not correctly displayed.
- The date search function may not work correctly if you mix recordings in HDV and DV standards on the same tape.

Displaying the Data Code

The camcorder maintains a data code containing the recording date and time and other camera data such as shutter speed, gain and exposure (f-stop).



Selecting the Data Code Display Combination



Open the menu and select [DISPLAY SETUP/]. Select [DATA CODE], select a setting option and close the menu.

Displaying the Data Code

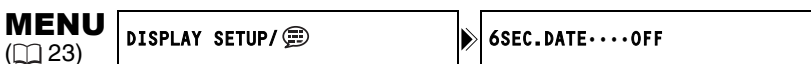
Press the DATA CODE button on the wireless controller.



The data code will not appear the next time you turn on the camcorder.

Six-Second Auto Date

The date and time appear for 6 seconds when you begin playback, or to indicate that the date or time zone has changed.



Open the menu and select [DISPLAY SETUP/]. Select [6SEC.DATE], set it to [ON] and close the menu.

Changing the Remote Sensor Mode

Two remote sensor modes and an off setting are available to prevent interference from other Canon wireless controllers being used nearby.

To change the remote sensor mode of the camcorder

Change the [WIRELESS REMOTE] setting of the custom function file (📖 85).

To change the remote sensor mode of the wireless controller

Press the ZOOM **T** button and keep it pressed for over 2 seconds to change the wireless controller to mode 2. Press the ZOOM **W** button and keep it pressed for over 2 seconds to change the wireless controller to mode 1.

If you have set the camcorder to mode 1, press the ZOOM **W** button for mode 1.



- The wireless controller returns to mode 1 when you replace the batteries. Change the mode if necessary.
- Make sure that the camcorder and wireless controller are set to the same mode. Display the camcorder's mode by pressing any button on the wireless controller (except the REMOTE SET button) and set the wireless controller's mode to the same mode. Change the batteries if the wireless controller still does not work.

Recording an External Video Signal (Analog Line-In, HDV/DV In)

You can record on the tape an external video signal, either from the analog video input (SD standard) or from the HDV/DV input (SD or HD standard).



Analog Line-In

1. Connect the camcorder to the analog video device.

For the connection diagram to an analog device refer to Section [4](#) of *Connecting to a Monitor/TV* (95).

2. Set the **POWER** dial to **VCR/PLAY** and load a blank cassette.

3. Open the menu and select [AUDIO SETUP]. Select [DV AUDIO], select a setting option and close the menu.

4. Connected device: Load the recorded cassette.

5. Press the **●** and **||** buttons (or the REC PAUSE button on the wireless controller).

- The camcorder enters the record pause mode. In this mode you can monitor the picture on the screen.
- If you press only the **●** button, recording will start immediately.

6. Connected device: Play back the tape.

7. Press the **||** button (or the PAUSE **||** button on the wireless controller) when the scene you wish to record appears.

Recording starts.

8. Press the **■** button to stop recording.

9. Connected device: Stop playback.

HDV/DV In

When recording from an external digital device you can select the time code to be used for the recording made with this camcorder. Select [COPY] to keep the original time code of the video source, or [REGEN.] to use instead this camcorder's internal time code.

1. Open the menu, select [SIGNAL SETUP] and then select the [TIME CODE] submenu.

2. Select [HDV/DV IN], select a setting option and close the menu.

3. Connect the camcorder to the external video device.

For the connection diagram to a digital device refer to Section [3](#) of *Connecting to a Monitor/TV* (94).

4. Set the **POWER** dial to **VCR/PLAY** and load a blank cassette.

5. Connected device: Load the recorded cassette or disc.

6. Press the **●** and **||** buttons (or the REC PAUSE button on the wireless controller).

- The camcorder enters the record pause mode. In this mode you can monitor the picture on the screen.
- If you press only the **●** button, recording will start immediately.

7. Connected device: Start the playback.

8. Press the **||** button (or the PAUSE **||** button on the wireless controller) when the scene you wish to record appears.

Recording starts.

9. Press the **■** button to stop recording.

10. Connected device: Stop playback.

Concerning Copyright

Copyright Precaution

Certain pre-recorded video tapes, films and other materials, as well as some television programs are copyrighted. Unauthorized recording of these materials may violate copyright protection laws.

Copyright Signals

During playback: If you try to play back a tape that contains copyright control signals for protection of software, "COPYRIGHT PROTECTED PLAYBACK IS RESTRICTED" appears for a few seconds and the camcorder displays a blank blue screen. You cannot playback the contents of the tape.

During recording: If you try to record from software that contains copyright control signals for protection of software, "COPYRIGHT PROTECTED DUBBING RESTRICTED" appears. You cannot record the contents of the software.

You cannot record copyright protection signals to a tape using this camcorder.



- We recommend powering the camcorder from a household power outlet.
- The supplied PC-A10 SCART Adapter is for output only. For analog line-in recording or analog-digital conversion, use a commercially available SCART adapter with input capability.

Converting Analog Signals into Digital Signals (Analog-Digital Converter)

Using the camcorder you can convert analog video input signals to a digital video signal (SD standard) and output it through the HDV/DV terminal.



Open the menu and select [SIGNAL SETUP]. Select [AV→DV], set it to [ON] and close the menu.



- Depending on the signal sent from the connected device, the conversion from analog to digital signals might not work properly (e.g., signals that include copyright protection signals or anomalous signals such as ghost signals).
- For normal use, set [AV→DV] to [OFF]. If it is set to [ON], digital signals cannot be input via the camcorder's HDV/DV terminal.
- Depending on the software and the specifications of your computer, you may not be able to transfer converted signals via the HDV/DV terminal.

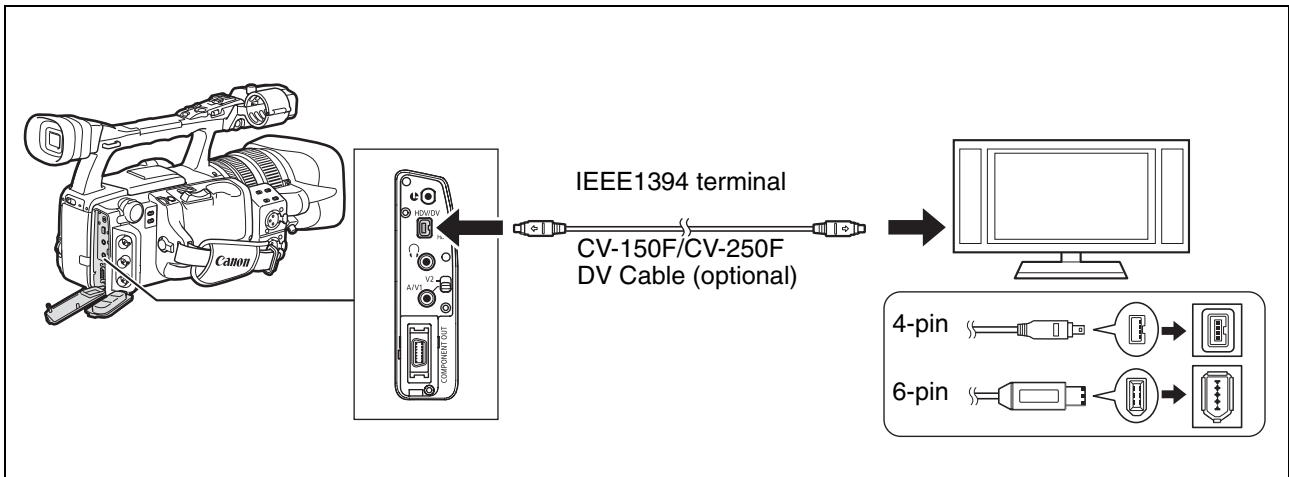


- We recommend powering the camcorder from a household power outlet.
- You can also press the AV→DV button on the wireless controller. Repeatedly pressing the controller's button will toggle the AV→DV conversion on and off.
- When connecting to a TV/video with SCART terminal, use a SCART adapter with input capability (commercially available). The supplied SCART Adapter PC-A10 is for output only.

Connecting to a Computer (IEEE1394)

To connect the camcorder to a computer you need to ensure the following requirements: a computer equipped with an IEEE1394 (DV) terminal and video editing software with video capturing capability installed. Use the optional CV-150F (4 pin-4 pin) or CV-250F (4 pin-6 pin) DV cable. For the minimum system requirements for video editing, refer to the instruction manual of the video editing software.

Windows XP (SP2) users can use the CONSOLE software (sold separately) to download video and audio recordings (in HDV or DV standards) from the camcorder to the computer's hard disk. For details refer to the software's help modules.



- Operation may not work correctly depending on the software and the specifications/settings of your computer.
- If the computer freezes while you have connected the camcorder, disconnect and reconnect the DV cable. Should the problem persist, disconnect the cable, turn both the camcorder and the computer off and the on again and reconnect them.
- Make sure that the computer video capturing system is compatible with the video signal standard you are using. If the computer is not compatible with the signal standard of the camcorder's video output, the camcorder may not be correctly detected or may not operate properly.



- Refer also to the instruction manual of the computer and the editing software.
- Adjust the [PLAYBACK STD] and [HD DOWN-CONV] settings in accordance with the video signal standards of the connected computer.
- When outputting the camcorder's video signal to the computer:
 - (HDV) video output: Set [PLAYBACK STD] to [HDV] and [HD DOWN-CONV] to [OFF].
 - (DV) video output: Set [PLAYBACK STD] to [DV].
 - (DV) video output of a recording originally made in HDV standard: Set [PLAYBACK STD] to [HDV] and [HD DOWN-CONV] to [ON].
- When inputting a video signal from the computer to the camcorder:
 - (HDV) video input: Set [PLAYBACK STD] to [HDV] and [HD DOWN-CONV] to [OFF].
 - (DV) video input: Set [PLAYBACK STD] to [DV].

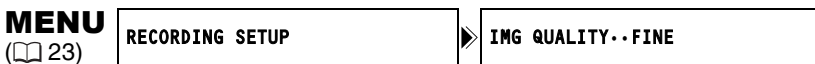
Selecting the Image Quality/Size

Changing the Still Image Quality

You can choose from Superfine, Fine and Normal.



* Only when playing back a tape.



Open the menu and select [RECORDING SETUP]. Select [IMG QUALITY], select a setting option and close the menu.

Changing the Still Image Size

The available image sizes will depend on the operation mode and the recording standard settings.

Recording still images in CAMERA·CARD mode	Simultaneous recording of a still image in CAMERA mode	Capturing a still image in VCR/PLAY mode
LW 1920x1080 SW 848x480	[HD] or [SD16:9]: LW 1920x1080 SW 848x480	Recording made in [HD]: LW 1920x1080 SW 848x480
L 1440x1080 S 640x480	[SD4:3]: L 1440x1080 S 640x480	Recording made in [SD16:9]: SW 848x480 Recording made in [SD4:3]: S 640x480



* Only when playing back a tape.



Open the menu and select [RECORDING SETUP]. Select [IMAGE SIZE] ([HD IMG SIZE] in **VCR/PLAY** mode), select a setting option and close the menu.



- Still images are recorded on the memory card using JPEG compression.
- Number of still images that can be recorded on a memory card:

Image Size	Image Quality	Number of Images			File Size per Image
		16MB	128MB	512MB	
LW 1920 x 1080	Super Fine	9	90	350	1360 kB
	Fine	14	135	525	910 kB
	Normal	28	265	1035	460 kB
SW 848 x 480	Super Fine	50	455	1770	280 kB
	Fine	70	645	2510	190 kB
	Normal	140	1295	5030	100 kB
L 1440 x 1080	Super Fine	12	120	470	1020 kB
	Fine	19	180	700	690 kB
	Normal	38	350	1370	350 kB
S 640 x 480	Super Fine	65	595	2320	215 kB
	Fine	95	865	3350	149 kB
	Normal	170	1555	6035	82 kB

-These figures are approximate. They vary according to the recording condition and the subject.
 -The total number of still images that can be recorded will decrease if you store custom preset files on the card.

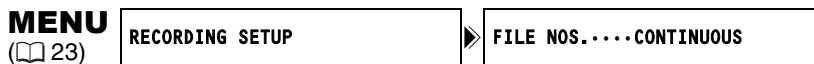
File Numbers

Still images are automatically assigned file numbers from 0101 to 9900, and stored in folders containing up to 100 images. Folders are numbered from 101 to 998.

RESET	The file number will be reset each time a new memory card is inserted. If the memory card already contains image files, the consecutive file number will be assigned.
CONTINUOUS	The camcorder memorizes the file number of the last image and assigns the consecutive file number to the next image, even when a new memory card is inserted. (If a higher file number already exists on the memory card, the consecutive number will be assigned.) There will be no duplication of file numbers. This is useful for organizing images on a computer.



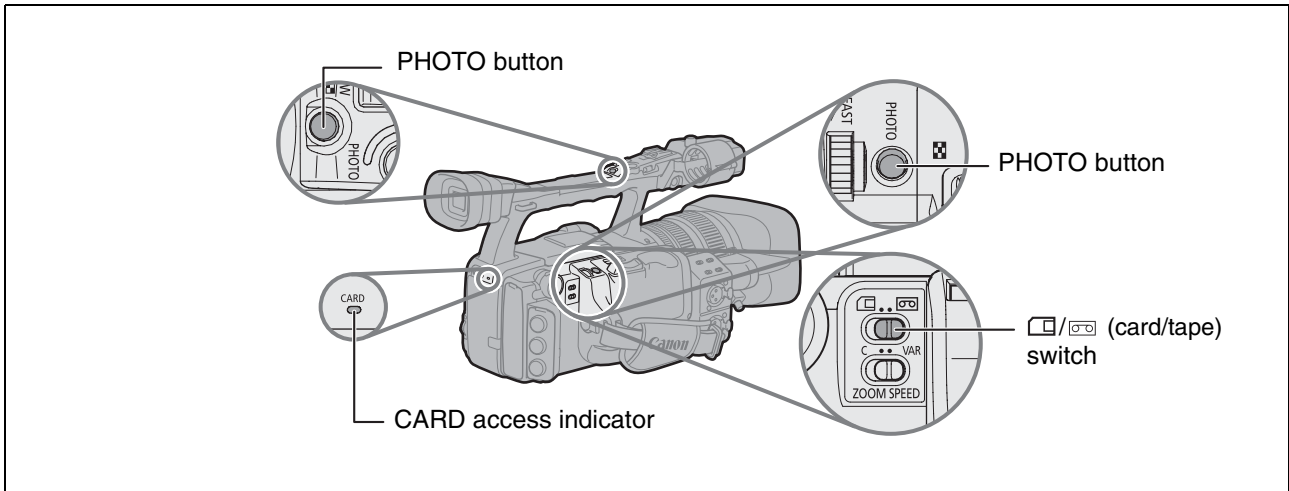
* Only when playing back a tape.



To change the setting, open the menu and select [RECORDING SETUP]. Select [FILE NOS.], set it to [RESET] and close the menu.

Recording Still Images on a Memory Card

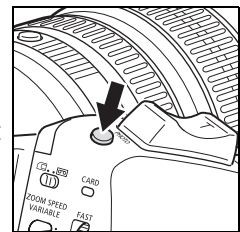
You can record still images directly on the memory card. You can also record still images on the memory card simultaneously while recording video on the tape and capture still images while playing back a tape.



1. Turn the **POWER** dial to a recording program and move the (card/tape) switch to .

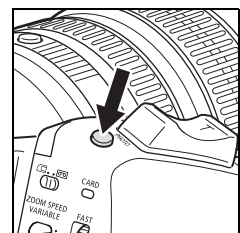
2. Press the **PHOTO** button halfway.

- The symbol turns green once the focus is adjusted. The picture may appear out of focus for a moment while the camcorder is focusing.
- While the PHOTO button is half-pressed you can also use the focusing ring to adjust the focus.
- Exposure is locked.
- When you press the PHOTO button on the wireless controller, recording starts immediately.



3. Press the **PHOTO** button fully.

- The symbol disappears.
- The CARD access indicator flashes and the card access display appears.



- When you are using an SDHC memory card or SD Memory Card, make sure that the protect switch is set to allow recording. If you attempt to record a still image on a write-protected memory card the message "THE CARD IS SET FOR ERASURE PREVENTION" will be displayed.
- Do not turn off the camcorder, change the position of the (card/tape) switch or the **POWER** dial or remove the memory card while the CARD access indicator is flashing. Doing so could result in data damage.



○ **When the Focus-Priority mode is set to [ON] in the custom function file (84):**

When you press the PHOTO button fully before the ● symbol turns green, it may take up to 2 seconds (4 seconds in the Night recording program) until the focus is adjusted.

If the subject is not suitable for autofocus, the camcorder locks the focus. In that case, adjust the focus manually with the focusing ring.

○ **When the Focus-Priority mode is set to [OFF] in the custom function file (84):**

In step 2, ● turns green, and focus and exposure are locked.

○ **About the Power Save function:**

In **CAMERA·CARD** mode: In order to save power when the camcorder is powered with a battery pack, the camcorder will automatically enter the power save mode if you do not operate it for 5 minutes. With the [POWER SAVE] option in the custom function file (85) you can select if the power will be turned off (set it to [ON]) or not (set it to [OFF]).

If you set the power save option to [ON] and the camcorder automatically powered off, in order to resume recording press the STANDBY button or turn the **POWER** dial to OFF and then back to a recording mode.

Recording a Still Image on a Memory Card While Recording Movies on a Tape

With the customized functions (79) you can select to activate the simultaneous recording of a still image while recording movies on the tape. If you select [ON+CP DATA] you can also save the custom preset settings currently in use along embedded within the still image. This is very useful when you want to load the custom preset file later by selecting the still image captured from a specific scene.



1. **Activate the simultaneous recording of still images with the custom function settings (84).**
2. **While you are recording the movie, press the PHOTO button.**



OFF appears if you press the PHOTO button while [SIMULT.IMG.REC] is set to [OFF].

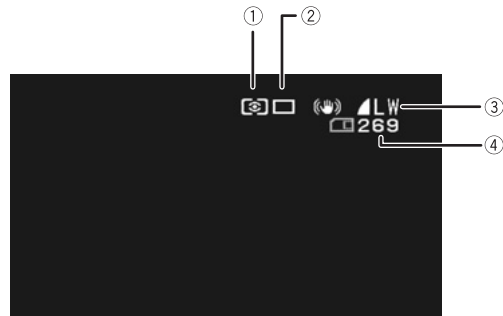
Capturing a Still Image from a Tape

With the customized functions (79) you can select to activate the capturing of a still image during playback pause.



1. **Activate the capturing of still images with the custom function settings (84).**
2. **In playback pause, press the PHOTO button to record the frame as a still image on the memory card.**

Screen Displays during Still Image Recording



① Metering Method Icon (📖 114)

Indicates the metering mode currently selected for recording still images.

② Drive Mode Icon (📖 112)

Indicates the drive mode currently selected for recording still images.

③ Image Quality and Size

Indicates the quality and size currently selected for recording still images.

④ Remaining Card Capacity for Still Images

- 🔴 flashing in red: No card
- 🟢 in green: 6 or more images
- 🟡 in yellow: 1 to 5 images
- 🔴 in red: No more images

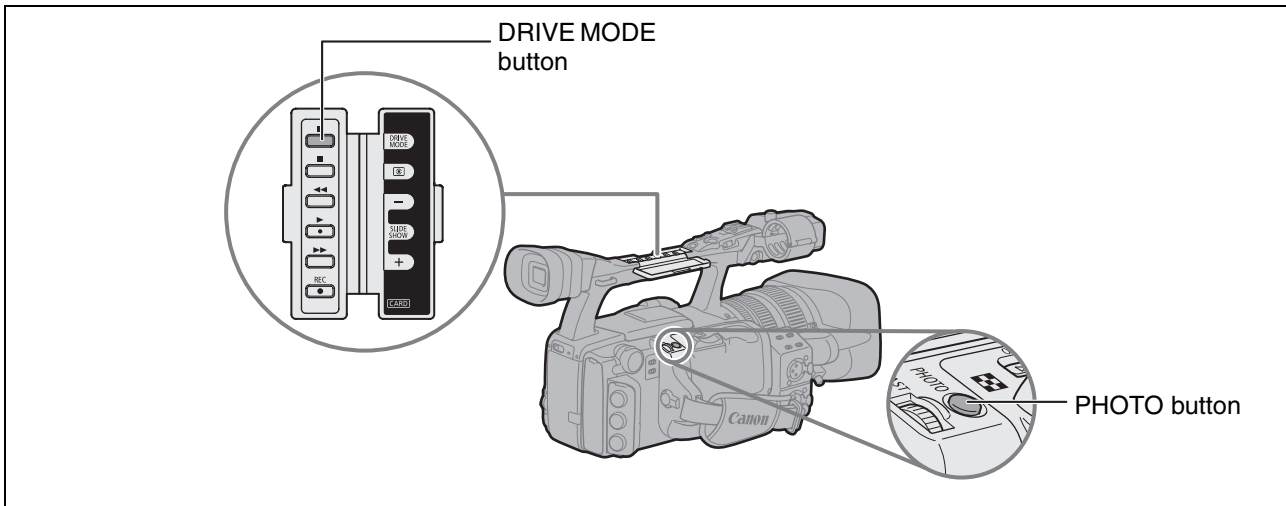
- The indication may not decrease even though a recording has been made, or may decrease by 2 images at once.
- All indicators are displayed in green when a memory card is played back.

▶ Card Access Display

Indicates that the camcorder is writing on the memory card.

Selecting the Drive Mode

Continuous Shooting	Captures a quick series of still images while you hold the PHOTO button pressed down. For the number of frames per second, refer to the table below.
High-Speed Continuous	
AEB (Auto Exposure Bracketing)	The camcorder records a still image in three different exposures (dark, normal, light in 1/2 EV steps).
<input type="checkbox"/> Single	Records a single still image when you press the PHOTO button.



Changing the Drive Mode

1. Set the **POWER** dial to a recording program other than and move the (card/tape) switch to .
2. Press the **DRIVE MODE** button to switch between the drive modes.
The setting changes with each press of the button.

Continuous Shooting/High-Speed Continuous Shooting

Press and hold the **PHOTO** button.

A series of still images will be recorded as long as you hold the PHOTO button pressed down.



Maximum number of continuous shots at one time:

Frames per Second		Maximum Number of Continuous Shots
Normal speed	High speed	
2.5 frames	4.1 frames	60 images

- These figures are approximate and vary with the recording conditions and subjects.
- Sufficient space on the memory card is required. The continuous shooting will stop when the card is full.

Auto Exposure Bracketing

Press the PHOTO button.

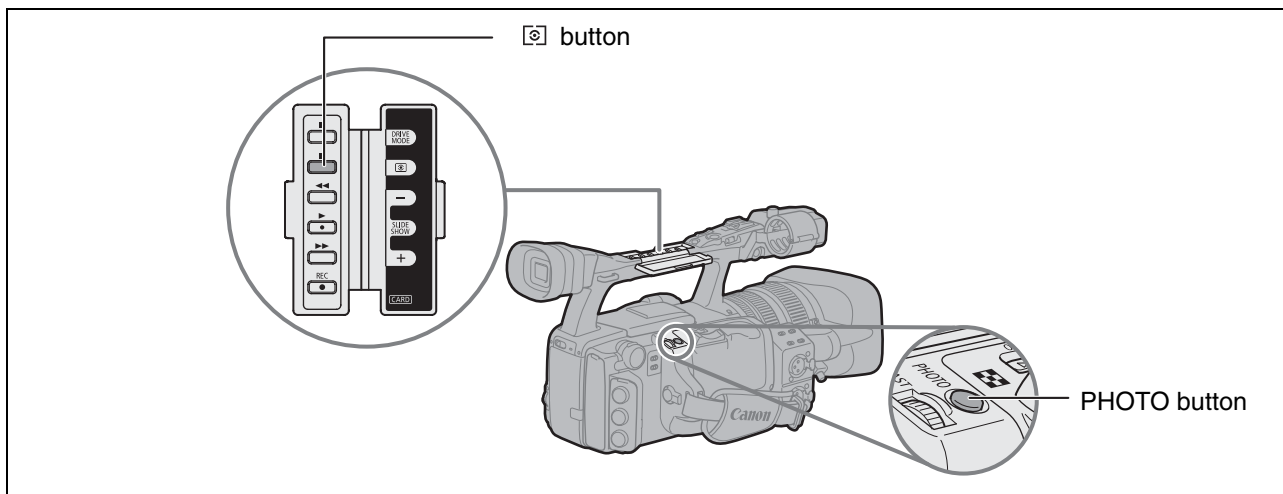
Three still images in different exposures are recorded to the memory card.



Make sure that there is sufficient space on the memory card.

Selecting the Metering Method

<input checked="" type="checkbox"/> EVALUATIVE	Appropriate for standard shooting conditions, including backlit scenes. The camcorder divides images into several zones for light metering. It evaluates the position and brightness of the subject, background, direct light or backlight, and adjusts the exposure of the main subject accordingly.
<input type="checkbox"/> CENT.WEIGHT.AVERAGE	Averages the light metered from the entire screen, giving more weight to the subject in the center.
<input type="checkbox"/> SPOT	Meters the area within the spot AE point frame.



1. Set the **POWER** dial to **A**, **Tv**, **Av** or **M**, and move the **card/tape** switch to **card**.
2. Press the **METERING** button.
 - The setting changes with each press of the button.
 - The symbol of the currently selected setting is displayed.
 - If you selected **SPOT**, the AE point frame **□** appears in the center of the screen.

Using an Optional Flash

You can use E-TTL II compatible Canon Speedlite flashes designed for use with Canon SLR cameras, including the 420EX/430EX/550EX/580EX models, to record natural still images under low light conditions. Refer also to the instruction manual of the Speedlite flash.

Connecting a Speedlite Flash



- When connecting a Canon Speedlite flash you cannot use the Off-Camera Shoe Cord designed for Canon EOS SLR cameras.
- Always turn off the camcorder when connecting or detaching the flash.

1. Insert the mounting foot of the flash straight, fully into the hot shoe.

2. Tighten the locking ring.

As you turn the locking ring, the locking pin will come out and lock the flash in position.




To detach the flash:

Turn the locking ring all the way to the opposite direction. Verify that the locking pin was released and only then detach the flash from the advanced accessory shoe.

Using the Flash



1. Set the **POWER** dial to a recording mode other than **M** and turn on the flash.

- While the Speedlite flash is charging, the  indicator will flash in white. Once charged, the  indicator will stay on in green.
- If the  indicator keeps flashing in white for a long time, replace the flash's batteries.

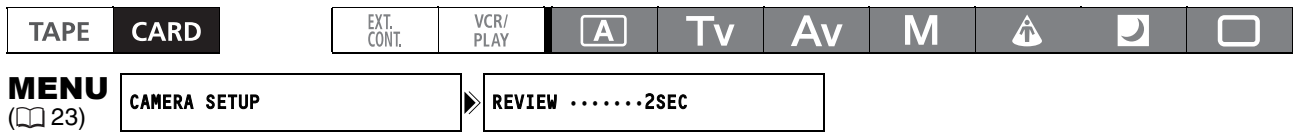
2. Press the **PHOTO** button to record a still image.



- Wait until the flash is charged before recording the still image. You can record a still image while the flash is charging, but the flash will not go off.
- Turn off the Speedlite flash when you are not using it.
- The flash will not go off during exposure lock and in the **M** Manual mode.
- While using the flash, the shutter speeds that can be set in Tv mode are 1/4 - 1/500.
- The camcorder does not support the Bounce Flash function or the Wireless Multiple Flash System function of the Speedlite 420EX/430EX/550EX/580EX flashes.
- The camcorder does not support the ST-E2 Wireless Speedlite Flash Transmitter or the Wireless Master/Slave Control function of the Speedlite 420EX/430EX/550EX/580EX flashes.
- When recording under very dark conditions, as you keep the PHOTO button pressed halfway the AF assist lamp of the Speedlite flash may light on (when recording using the autofocus and with [FOCUS PRIORITY] set to [ON]).
- The Speedlite flash will not go off when the drive mode is set to Auto Exposure Bracketing.




Reviewing a Still Image Right after Recording

You can select to display a still image for 2, 4, 6, 8 or 10 seconds after it has been recorded.



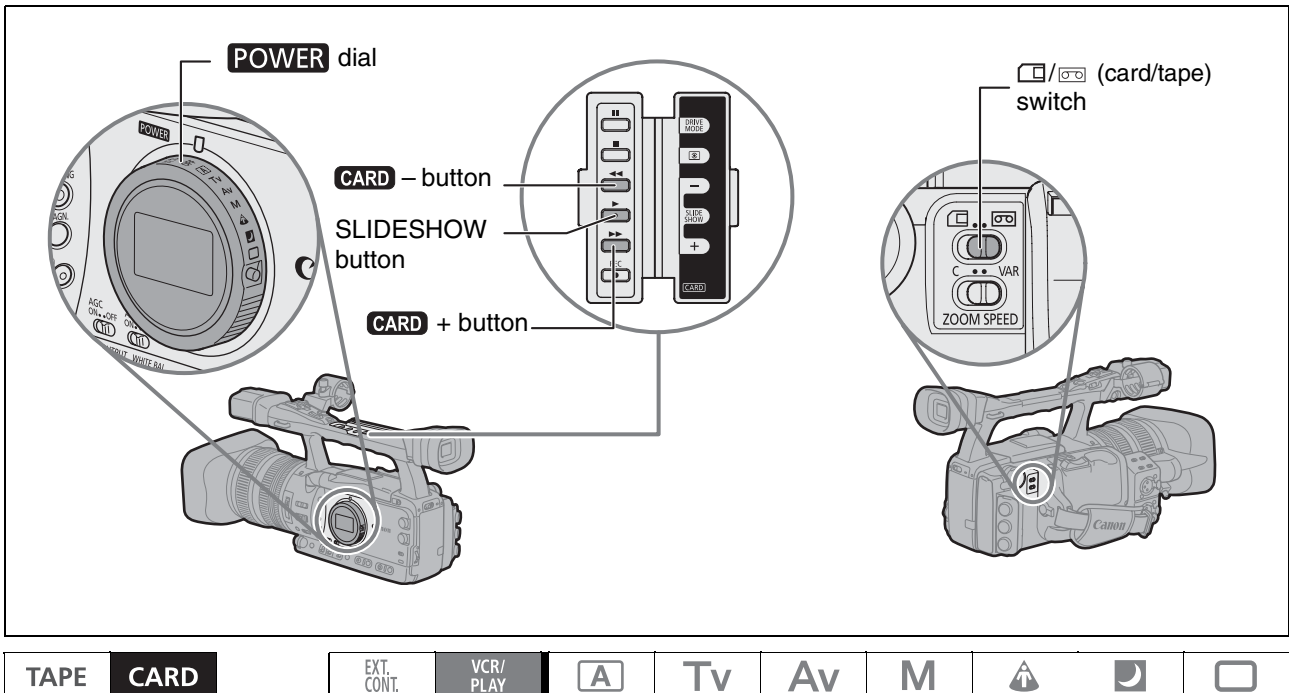
Open the menu and select [CAMERA SETUP]. Select [REVIEW], select a setting option and close the menu.



- A still image is displayed as long as you hold the PHOTO button after recording.
- The still image operations menu appears when you press the SELECT/SET dial while you are reviewing a still image, or when you press the SELECT/SET dial right after recording. In this menu, you can protect (📖 120) or erase (📖 119) the image.
- [REVIEW] cannot be selected when  (continuous shooting),  (high-speed continuous shooting) or  (auto exposure bracketing) is selected.

Playing Back Still Images from a Memory Card

E



1. Turn the **POWER** dial to **VCR/PLAY** and move the **(card/tape) switch** to **(card)**.
2. Press the **CARD** + / - button to move between images.



- Images not recorded with this camcorder, uploaded from a computer, edited on a computer and images whose file names have been changed may not be played back correctly.
- Do not turn off the camcorder, change the position of the **(card/tape) switch** or the **POWER** dial, open the memory card cover or remove the memory card while the **CARD** access indicator is flashing. Doing so could result in data damage.

Slideshow

Press the **SLIDESHOW** button.


- Images are played back one after another.
- Press the button again to stop the slideshow.

Index Screen

1. Move the zoom lever toward **W**.

Up to 6 images appear.

2. Turn the **SELECT/SET** dial to select an image.

- Move the “” to the image you wish to view.
- You can switch between the index pages by pressing the **CARD** + / – button.

3. Move the zoom lever toward **T** or press the **SELECT/SET** dial.

The index screen is cancelled and the selected image is displayed.

Image Jump Function

You can locate images without displaying them one by one. The number in the upper right of the screen indicates the image number of the current image out of the total number of images.

Press and hold the **CARD** + / – button.

When you release the button, the image of the displayed image number appears.

Displaying the Recording Data

You can select whether to display all the recording data stored when the still image was recorded (histogram, camera information, etc.).

Repeatedly press the DISP. button to display the recording data.

Erasing Images

You can erase images one at a time or all at once.



- Be careful when erasing images. Erased images cannot be recovered.
- Erasing a still image that had a custom preset file embedded (recorded with the [ON+CP DATA] setting) will erase the image and the embedded custom preset file.



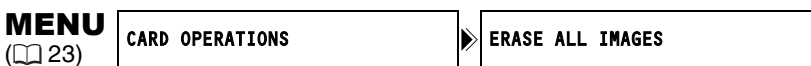
Protected images (📖 120) cannot be erased.

Erasing a Single Image



1. Select the image you wish to erase.
2. Press the **SELECT/SET** dial to open the still image operations menu.
In **CAMERA·CARD** mode, the menu appears when you press the SELECT/SET dial while you are reviewing a still image, or if you press the SELECT/SET dial immediately after recording an image.
3. Select **[IMAGE ERASE]**.
4. Select **[ERASE]**.
The image is erased and the previous image appears.
5. Select **[↩CLOSE]** to close the menu.

Erasing All Images



1. Open the menu and select **[CARD OPERATIONS]**.
2. Select **[ERASE ALL IMAGES]**.
3. Select **[YES]** and close the menu.
All still images except the protected ones are erased.

Protecting Images

You can protect important images from accidental erasure when displaying a single image or the index screen.



If a memory card is initialized, all still images, even protected ones, will be erased permanently.



1. Select the image you wish to protect.
2. Press the SELECT/SET dial to open the still image operations menu.
In **CAMERA-CARD** mode, the menu appears when you press the SELECT/SET dial while you are reviewing a still image, or if you press the SELECT/SET dial immediately after recording an image.
3. Select [**PROTECT**].
4. Select [ON].
“**ON**” appears and now the image cannot be erased. To remove the protection select [OFF] instead.
5. Select [**CLOSE**] to close the menu.

Protecting during Index Screen Display



1. Move the zoom lever toward **W**.
 - Up to 6 images appear.
 - Select the image you wish to protect.
2. Open the menu and select [**CARD OPERATIONS**]. Select [**PROTECT**] and press the SELECT/SET dial.
 - **ON** appears on the image.
 - Select additional images with the SELECT/SET dial and protect them in the same way.
3. Close the menu to return to the index screen.

Initializing a Memory Card

Initialize new memory cards, or when you get the message “CARD ERROR”. You can also initialize a memory card to erase all data recorded on it. The regular initialization option [INITIALIZE] will clear the file allocation table but will not physically erase the stored data. If you need to completely erase all the data, select instead the complete initialization option [COMPL.INIT.].



- Initializing a memory card erases all data, including protected images and custom preset files.
- Images and custom preset files erased through the card initialization cannot be recovered.
- We recommend using the [COMPL.INIT.] option when you feel that the time it takes to record an image on or read an image from the memory card has become too long.
- Depending on the memory card, the complete initialization may take up to a few minutes.
- If you use a memory card other than the supplied one, initialize it with the camcorder.



1. Open the menu and select [CARD OPERATIONS].

2. Select [INITIALIZE] and select the regular or the complete initialization.

3. [INITIALIZE]: Select [YES].

[COMPL.INIT.]: Select [YES] and, in the confirmation screen, select [YES] again.

- The card initialization starts.
- The complete initialization can be canceled halfway through by pressing the SELECT/SET dial. All the image files will be erased and the memory card can be used without any problem.

Print Order Settings

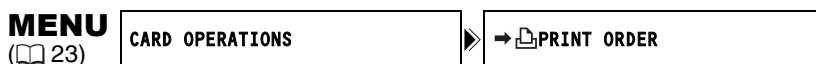
You can select still images for printing and set the number of copies. These print order settings are compatible with the Digital Print Order Format (DPOF) standards and can be used for printing on DPOF compatible printers. A maximum of 998 still images can be selected.

Selecting Still Images for Printing (Print Order)



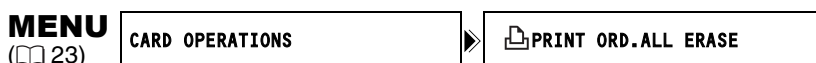
1. Select the still image you wish to print.
2. Press the SELECT/SET dial to open the still image operations menu.
3. Select [PRINT ORDER].
4. Select the number of copies.
 - appears on the image.
 - To cancel the print order, set the number of copies to 0.
5. Select [CLOSE] to close the menu.

Selecting in Index Screen Display



1. Move the zoom lever toward **W**.
 - Up to 6 images appear.
 - Select the image you wish to print.
2. Open the menu and select [CARD OPERATIONS]. Select [PRINT ORDER].
3. Press the SELECT/SET dial and set the number of copies with the SELECT/SET dial.
 - appears on the image.
 - To cancel the print order, set the number of copies to 0.
4. Close the menu to return to the index screen.

Erasing All Print Orders



1. Open the menu and select [CARD OPERATIONS].
2. Select [PRINT ORD.ALL ERASE] and select [YES].
 - All disappear.
3. Close the menu.

Settings Retained at Power Off or STANDBY Mode

The following list shows the settings that are retained when you turn the power off or press the STANDBY button. If the built-in lithium button battery discharges completely, all settings will be erased.

CAMERA / CAMERA-CARD Modes	Power Off	STANDBY Mode	Changing between HD and SD*
Shutter speed setting in Tv mode		●	
Aperture setting in Av mode		●	
Aperture, shutter speed setting in Manual mode		●	
Custom white balance		●	
Exposure lock	Returns to off		●
Aperture, shutter speed setting during exposure lock	Reset		●
CAMERA MENU settings		●	
CAMERA-CARD MENU settings		●	
TV SCREEN on/off		●	
On-screen display settings		●	
Zero set memory*		●	

* **CAMERA** mode only.

The following list shows the settings that are retained when you change the programmed AE mode or frame rate.

CAMERA / CAMERA-CARD Modes	When you change to a recording program other than <input type="checkbox"/> Easy Recording	When you change to <input type="checkbox"/> Easy Recording	When you change the frame rate*
Shutter speed setting in Tv mode		●	
Aperture setting in Av mode		●	
Aperture, shutter speed setting in Manual mode		●	
Custom white balance		●	
Exposure lock	Returns to off		
Aperture, shutter speed setting during exposure lock	Reset		
CAMERA MENU setting		●	
CAMERA-CARD MENU settings		●	
TV SCREEN on/off		●	
On-screen display settings		●	

* **CAMERA** mode only.

Menu Options and Default Settings

Default settings are shown in boldface.

CAMERA CAMERA MENU

* **XHG1** only.

Submenu	Menu Item	Setting Options		
SIGNAL SETUP	TIME CODE	COUNT-UP	REC-RUN , REC-RUN PS., FREE-RUN	39
		START VALUE	SET , RESET	
	GENLCK ADJST	-1023 – 1023		40
	SIGNAL STD	HD , SD16:9, SD4:3		29
	FRAME RATE	50i , 25F		38
	COMP. OUT	576i, 1080i/576i		94
	SDI OUTPUT*	ON, OFF		93
	SDI SPEC.*	AUTO , SD LOCKED		93
CAMERA SETUP	AE SHIFT	-2.0, -1.5, -1.25, -1.0, -0.75, -0.5, -0.25, ±0 , +0.25, +0.5, +0.75, +1.0, +1.25, +1.5, +2.0		55
	GAIN SETTING	GAIN L	-3dB, ±0dB , 3dB, 6dB, 12dB, 18dB, 36dB	56
		GAIN M	-3dB, ±0dB, 3dB, 6dB , 12dB, 18dB, 36dB	
		GAIN H	-3dB, ±0dB, 3dB, 6dB, 12dB , 18dB, 36dB	
	AF MODE	INSTANT AF , NORMAL AF		33
	IMG STAB	ON (👉), OFF		47
	SKIN DETAIL	EFFECT LEVEL	OFF , LOW 🗑️, MIDDLE 🗑️, HIGH 🗑️	63
		HUE		
		CHROMA		
		AREA		
		Y LEVEL		
	SKY DETAIL	SOFT 🗑️, OFF		64
	COLOR CORR.	CORRECT	OFF , A 🗑️, B 🗑️, A&B 🗑️	61
A AREA SEL.		COLOR PHASE, CHROMA, AREA, Y LEVEL		
A AREA REV.		R GAIN, B GAIN		
B AREA SEL.		COLOR PHASE, CHROMA, AREA, Y LEVEL		
B AREA REV.		R GAIN, B GAIN		
F SPEED PSET	LOW, MIDDLE, HIGH		36	
CLEAR SCAN			65	

CAMERA CAMERA MENU (cont.)

*Only in Standard Definition (SD).

Submenu	Menu Item	Setting Options	📖
RECORDING SETUP	DV REC MODE*	SP, LP	71
	UB REC	INT. USR-BIT, EXT. USR-BIT	42
	UB SELECT	00 00 00 00, TIME, DATE	42
	IMG QUALITY	📷 SUPER FINE, 📷 FINE, 📷 NORMAL	107
	IMAGE SIZE	(HD) or (SD16:9) LW 1920x1080, SW 848x480 (SD4:3) L 1440x1080, S 640x480	107
	FILE NOS.	RESET, CONTINUOUS	108
AUDIO SETUP	DV AUDIO*	16bit, 12bit	43
	AUD.M.SET	NORMAL, LINE OUT	45
	MIC MODE	NORMAL, VOICE 🗣️, WS 🗣️/🎤	43
	MIC SENS.	NORMAL, HIGH	45
	XLR INPUT	ON → XLR, OFF	44
	XLR GAIN UP	OFF, 12dB	44
DISPLAY SETUP/🗣️	CVF SETUP	BRIGHTNESS	16
		CONTRAST	
		COLOR	
		SHARPNESS	
		BACKLIGHT BRIGHT, NORMAL	
	LCD SETUP	BRIGHTNESS	17
		CONTRAST	
		COLOR	
		SHARPNESS	
		BACKLIGHT BRIGHT, NORMAL	
	CVF+LCD BW	ON, OFF	18
	CVF+LCD ON	ON, OFF	18
	LANGUAGE 🗣️	DEUTSCH, ENGLISH, ESPAÑOL, FRANÇAIS, ITALIANO, POLSKI, РУССКИЙ, 简体中文, 日本語	71
	MARKERS	OFF, LEVEL MARK., CENT. MARK., GRID	28
	ASPECT GUIDE	OFF, 4:3, 13:9, 14:9, 1.66:1, 1.75:1, 1.85:1, 2.35:1	28
	SAFETY ZONE	OFF, 80%, 90%	28
	ZEBRA	ON, OFF	60
	ZEBRA LEVEL	70, 75, 80, 85, 90, 95, 100	60
	TV SCREEN	ON, OFF	86
	AUDIO LEVEL	ON, OFF	45
GUIDE INFO	OFF, CUSTOM KEYS, D/T DISPLAY	27	
UB DISPLAY	ON, OFF	42	
SYSTEM SETUP/🗣️	CUSTOM KEY 1	TIME CODE, INDEX WRITE, ZEBRA, VCR STOP, TV SCREEN, TC HOLD, AUDIO LEVEL, CVF+LCD BW, MAGN.B.LOCK, SHTR D.LOCK, (NONE)	67
	CUSTOM KEY 2	TIME CODE, INDEX WRITE, ZEBRA, VCR STOP, TV SCREEN, TC HOLD, AUDIO LEVEL, CVF+LCD BW, MAGN.B.LOCK, SHTR D.LOCK, CP BKWD KEY, (NONE)	
	D/TIME SET 🗣️	T.ZONE/DST	24
		DATE/TIME	
		DATE FORMAT Y.M.D. 2006.1.1 AM12:00 M.D.Y. JAN.1.2006 12:00AM D.M.Y. 1.JAN.2006 12:00AM	
	DV CONTROL	ON 📷, OFF	70
	MAGN.B.LOCK	DISABLED, ACTIVE	-
SHTR D.LOCK	DISABLED, ACTIVE	-	
RESET ALL	NO, YES	-	

CAMERA CAMERA MENU (cont.)

Submenu	Menu Item	Setting Options			
CUSTOMIZE					
CUSTOM PRESET	EDIT	SELECT CP	1 PRESET_A, 2 PRESET_B, 3 PRESET_C, 4 PRESET_D, 5 PRESET_E, 6 PRESET_F, 7 VIDEO.C, 8 CINE.V, 9 CINE.F	72	
		TUNE			
		RENAME			
		PROTECT			
		RESET			
		Setting Items:			
		GAMMA	NORMAL, CINE1, CINE2		
		KNEE	AUTO, LOW, MIDDLE, HIGH		
		BLACK	STRETCH, MIDDLE, PRESS		
		MASTER PED.	-9 ~ 9		
		SETUP LEVEL	-9 ~ 9		
		SHARPNESS	-9 ~ 9		
		H DTL FREQ	LOW, MIDDLE, HIGH		
		DTL HV BALANCE	-9 ~ 9		
		CORING	-9 ~ 9		
		NR1	OFF, LOW, MIDDLE, HIGH		
		NR2	OFF, LOW, MIDDLE, HIGH		
		COLOR MAT.	NORMAL, CINE1, CINE2		
		COLOR GAIN	-50 ~ 50		
		COLOR PHASE	-9 ~ 9		
		R GAIN	-50 ~ 50		
		G GAIN	-50 ~ 50		
		B GAIN	-50 ~ 50		
		RG MATRIX	-50 ~ 50		
		RB MATRIX	-50 ~ 50		
		GR MATRIX	-50 ~ 50		
		GB MATRIX	-50 ~ 50		
	BR MATRIX	-50 ~ 50			
	BG MATRIX	-50 ~ 50			
	CAMERA → CARD	SELECT CP		77	
		SAVE POSITION			
		EXECUTE			
	CARD → CAMERA	IMPORT		78	
SELECT POSITION					
EXECUTE					

CAMERA CAMERA MENU (cont.)

Submenu	Menu Item	Setting Options	80
CUSTOMIZE			
CUSTOM FUNCTION	C.Fn1, C.Fn2, C.Fn3	APPLY THIS SET	80
		TUNE	79
		SAVE TO CARD	80
		READ FROM CARD	80
		RESET	80
		Setting Items:	82
		SHCKLSS WB/GN	00 – 03
		AE RESPONSE	00 – 02
		HIGH-SPEED ZOOM	00 (OFF) – 01 (ON)
		FOCUS RING CTRL	00 (NORMAL) – 01 (SLOW)
		BUTTONS OPER.	00 – 15
		RINGS DIRECTION	00 – 07
		DIALS DIRECTION	00 – 03
		FOCUS PRIORITY	00 (OFF) – 01 (ON)
		SIMULT.IMG.REC	00 – 02
		MARKER LEVEL	00 – 07
		F.AST BW-MOD	00 – 03
		OBJ DST UNIT	00 (meter) – 01 (ft.)
		ZOOM INDICATOR	00 (BAR) – 01 (NUMBER)
		COLOR BARS	00 (TYPE 1) – 01 (TYPE 2)
		1kHz TONE	00 – 02
		WIRELESS REMOTE	00 – 02
		POWER SAVE	00 (OFF) – 01 (ON)
TALLY LAMP	00 – 02		
LED	00 – 02		
BEEP	00 – 02		
CHARACTER REC	00 (OFF) – 01 (ON)		



CAMERA CAMERA MENU (cont.)

Submenu	Menu Item	Setting Options		
CUSTOMIZE				
CUSTOM DISPLAY	TUNE		86	
	SAVE TO CARD		87	
	READ FROM CARD		87	
	RESET		87	
	Setting Items:	REC PROGRAMS	00 (OFF) – 01 (ON)	87
		CAMERA DATA1	00 – 07 [03]	
		CAMERA DATA2	00 – 07	
		ZOOM	00 – 02 [01]	
		FOCUS	00 – 02 [01]	
		ND	00 (OFF) – 01 (ON)	
		IMAGE EFFECTS	00 – 07	
		F.ASSIST FUNC.	00 – 03	
		CUSTOMIZE	00 – 03	
		RECORDING STD	00 (OFF) – 01 (ON)	
		DV REC MODE	00 (OFF) – 01 (ON)	
		FRAME RATE	00 (OFF) – 01 (ON)	
		TAPE	00 – 07 [03]	
		TAPE REMAINDER	00 – 02	
		TAPE/CARD	00 – 03	
		LIGHT METERING	00 – 03	
		CARD	00 – 07 [03]	
		CARD REMAINDER	00 – 02	
	AUDIO	00 – 07		
	CONDENSATION	00 (OFF) – 01 (ON)		
	BATTERY	00 – 02		
	WIRELESS REMOTE	00 – 02		

VCR/PLAY VCR/PLAY MENU

*Only in Standard Definition (SD).

** **XHGT** only.

Submenu	Menu Item	Setting Options	
SIGNAL SETUP	TIME CODE	COUNT-UP	REC-RUN, REC-RUN PS., FREE-RUN
		START VALUE	SET, RESET
		HDV/DV IN	REGEN., COPY
	PLAYBACK STD	AUTO, HDV, DV	
	COMP. OUT	576i, 1080i/576i	
	SDI OUTPUT**	ON, OFF	
	SDI SPEC.**	AUTO, SD LOCKED	
	AV → DV	ON, OFF	
	HD DOWN-CONV	ON, OFF	
LETTERBOX	ON, OFF		
RECORDING SETUP	DV REC MOD*	SP, LP	
	UB SELECT	00 00 00 00, TIME, DATE	
	IMG QUALITY	▲ SUPER FINE, ▲ FINE, ▲ NORMAL	
	HD IMG SIZE	LW 1920x1080, SW 848x480	
	FILE NOS.	RESET, CONTINUOUS	
AUDIO SETUP	SEL AUDIO CH	CH 1/3/CH 2/4, CH 1/3/CH 1/3, CH 2/4/CH 2/4	
	AUD.M.SET	CH 1/2, CH 3/4, MIX/FIXED, MIX/VAR.	
	MIX BALANCE	1/2 —————■————— 3/4	
	DV AUDIO	16bit, 12bit	






HD DOWN-CONV.: Selects whether to down-convert the video signal output from the HDV/DV terminal while playing back a tape recorded in HDV standard.

Standard of the tape being played back	[HD DOWN-CONV] Setting	[PLAYBACK STD] Setting		
		[AUTO]	[HDV]	[DV]
HDV	[ON]	DV	DV	No output
	[OFF]	HDV	HDV	No output
DV	[ON]	DV	No output	DV
	[OFF]	DV	No output	DV

- The down-converted output video signal will always be 50 fps interlaced, regardless of the frame rate of the original recording.
- Even if the audio was originally recorded using all 4 channels (with another camcorder), only channels 1 and 2 will be output.



VCR/PLAY VCR/PLAY MENU (cont.)

Submenu	Menu Item	Setting Options	
DISPLAY SETUP/ 	CVF SETUP	BRIGHTNESS	16
		CONTRAST	
		COLOR	
		SHARPNESS	
		BACKLIGHT BRIGHT, NORMAL	
	LCD SETUP	BRIGHTNESS	17
		CONTRAST	
		COLOR	
		SHARPNESS	
		BACKLIGHT BRIGHT, NORMAL	
	CVF+LCD BW	ON, OFF	18
	CVF+LCD ON	ON, OFF	18
	TV SCREEN	ON, OFF	86
	AUDIO LEVEL	ON , OFF	45
LANGUAGE 	DEUTSCH, ENGLISH , ESPAÑOL, FRANÇAIS, ITALIANO, POLSKI, РУССКИЙ, 简体中文, 日本語	71	
CUSTOM KEY	ON, OFF	66	
DATA CODE	DATE, TIME, DATE & TIME , CAMERA DATA, CAM. & D/T	101	
6 SEC.DATE	ON, OFF	101	
UB DISPLAY	ON, OFF	42	
SYSTEM SETUP/ 	CUSTOM KEY 1	TIME CODE, TV SCREEN , DATA CODE, AUDIO LEVEL, TC HOLD, CVF+LCD BW, (NONE)	67
	CUSTOM KEY 2	TIME CODE, TV SCREEN, DATA CODE , AUDIO LEVEL, TC HOLD, CVF+LCD BW, (NONE)	
	D/TIME SET 	T.ZONE/DST	71
		DATE/TIME	
		DATE FORMAT Y.M.D. 2006.1.1 AM12:00 M.D.Y. JAN.1.2006 12:00AM D.M.Y. 1.JAN.2006 12:00AM	
RESET ALL	NO , YES	-	















VCR/PLAY VCR/PLAY MENU (cont.)

Submenu	Menu Item	Setting Options	
CUSTOMIZE			
CUSTOM FUNCTION	C.Fn1, C.Fn2, C.Fn3	APPLY THIS SET	80
		TUNE	79
		SAVE TO CARD	80
		READ FROM CARD	80
		RESET	80
		Setting Items:	82
		SHCKLSS WB/GN	00 – 03
		AE RESPONSE	00 – 02
		HIGH-SPEED ZOOM	00 (OFF) – 01 (ON)
		FOCUS RING CTRL	00 (NORMAL) – 01 (SLOW)
		BUTTONS OPER.	00 – 15
		RINGS DIRECTION	00 – 07
		DIALS DIRECTION	00 – 03
		FOCUS PRIORITY	00 (OFF) – 01 (ON)
		SIMULT.IMG.REC	00 – 02
		MARKER LEVEL	00 – 07
		F.AST BW-MOD	00 – 03
		OBJ DST UNIT	00 (meter) – 01 (ft.)
		ZOOM INDICATOR	00 (BAR) – 01 (NUMBER)
		COLOR BARS	00 (TYPE 1) – 01 (TYPE 2)
		1kHz TONE	00 – 02
		WIRELESS REMOTE	00 – 02
		POWER SAVE	00 (OFF) – 01 (ON)
TALLY LAMP	00 – 02		
LED	00 – 02		
BEEP	00 – 02		
CHARACTER REC	00 (OFF) – 01 (ON)		

E

CAMERA · CARD CARD CAMERA MENU

 * **XHGI** only.





Submenu	Menu Item	Setting Options		
SIGNAL SETUP	GENLCK ADJUST	-1023 – 1023	40	
	COMP. OUT	576i, 1080i/576i	94	
	SDI OUTPUT*	ON, OFF	93	
	SDI SPEC.*	AUTO , SD LOCKED	93	
CAMERA SETUP	AE SHIFT	-2.0, -1.5, -1.25, -1.0, -0.75, -0.5, -0.25, ±0 , +0.25, +0.5, +0.75, +1.0, +1.25, +1.5, +2.0	55	
	GAIN SETTING	GAIN L	-3dB, ±0dB , 3dB, 6dB, 12dB, 18dB	56
		GAIN M	-3dB, ±0dB , 3dB, 6dB , 12dB, 18dB	
		GAIN H	-3dB, ±0dB , 3dB, 6dB, 12dB , 18dB	
	AF MODE	INSTANT AF , NORMAL AF	33	
	IMG STAB	ON () , OFF	47	
	SKIN DETAIL	EFFECT LEVEL	OFF , LOW  , MIDDLE  ,	63
			HIGH 	
		HUE		
		CHROMA		
		AREA		
		Y LEVEL		
	SKY DETAIL	SOFT  , OFF	64	
	COLOR CORR.	CORRECT	OFF , A  , B  , A&B 	61
		A AREA SEL.	COLOR PHASE, CHROMA, AREA, Y LEVEL	
A AREA REV.		R GAIN, B GAIN		
B AREA SEL.		COLOR PHASE, CHROMA, AREA, Y LEVEL		
B AREA REV.		R GAIN, B GAIN		
F SPEED PSET	LOW, MIDDLE, HIGH	36		
REVIEW	OFF, 2 sec. , 4 sec., 6 sec., 8 sec., 10 sec.	116		
RECORDING SETUP	IMG QUALITY	 SUPER FINE,  FINE ,  NORMAL	107	
	IMAGE SIZE	LW 1920x1080 , SW 848x480, L 1440x1080, S 640x480	107	
	FILE NOS.	RESET, CONTINUOUS	108	
AUDIO SETUP	MIC MODE	NORMAL , VOICE  , WS 	43	
	MIC SENS.	NORMAL , HIGH	45	
	XLR INPUT	ON → XLR, OFF	44	
	XLR GAIN UP	OFF , 12dB	44	

CAMERA · CARD CARD CAMERA MENU (cont.)

Submenu	Menu Item	Setting Options	📖
DISPLAY SETUP/ 🗨	CVF SETUP	BRIGHTNESS	16
		CONTRAST	
		COLOR	
		SHARPNESS	
		BACKLIGHT BRIGHT, NORMAL	
	LCD SETUP	BRIGHTNESS	17
		CONTRAST	
		COLOR	
		SHARPNESS	
		BACKLIGHT BRIGHT, NORMAL	
	CVF+LCD BW	ON, OFF	18
	CVF+LCD ON	ON, OFF	18
	LANGUAGE 🗨	DEUTSCH, ENGLISH , ESPAÑOL, FRANÇAIS, ITALIANO, POLSKI, РУССКИЙ, 简体中文, 日本語	71
	MARKERS	OFF , LEVEL MARK., CENT. MARK., GRID	28
ZEBRA	ON, OFF	60	
ZEBRA LEVEL	70, 75, 80, 85 , 90, 95, 100	60	
TV SCREEN	ON , OFF	86	
GUIDE INFO	OFF , CUSTOM KEYS, D/T DISPLAY	27	
SYSTEM SETUP/ ☺	CUSTOM KEY 1	ZEBRA , TV SCREEN, CVF+LCD BW, MAGN.B.LOCK, SHTR D.LOCK, (NONE)	67
	CUSTOM KEY 2	ZEBRA, TV SCREEN , CVF+LCD BW, MAGN.B.LOCK, SHTR D.LOCK, CP BKWD KEY, (NONE)	
	D/TIME SET ☺	T.ZONE/DST	24
		DATE/TIME	
		DATE FORMAT Y.M.D. 2006.1.1 AM12:00 M.D.Y. JAN.1.2006 12:00AM D.M.Y. 1.JAN.2006 12:00AM	
	MAGN.B.LOCK	DISABLED , ACTIVE	-
	SHTR D.LOCK	DISABLED , ACTIVE	-
RESET ALL	NO , YES	-	

E

CAMERA · CARD CARD CAMERA MENU (cont.)

Submenu	Menu Item	Setting Options			
CUSTOMIZE					
CUSTOM PRESET	EDIT	SELECT CP	1 PRESET_A, 2 PRESET_B, 3 PRESET_C, 4 PRESET_D, 5 PRESET_E, 6 PRESET_F, 7 VIDEO.C, 8 CINE.V, 9 CINE.F	72	
		TUNE			
		RENAME			
		PROTECT			
		RESET			
		Setting Items:			
		KNEE	AUTO, LOW, MIDDLE, HIGH		
		BLACK	STRETCH, MIDDLE, PRESS		
		SHARPNESS	-9 ~ 9		
		H DTL FREQ	LOW, MIDDLE, HIGH		
		DTL HV BALANCE	-9 ~ 9		
		CORING	-9 ~ 9		
		COLOR GAIN	-50 ~ 50		
		COLOR PHASE	-9 ~ 9		
		R GAIN	-50 ~ 50		
		G GAIN	-50 ~ 50		
		B GAIN	-50 ~ 50		
		RG MATRIX	-50 ~ 50		
		RB MATRIX	-50 ~ 50		
		GR MATRIX	-50 ~ 50		
	GB MATRIX	-50 ~ 50			
	BR MATRIX	-50 ~ 50			
	BG MATRIX	-50 ~ 50			
	 →  CAMERA → CARD	SELECT CP		77	
		SAVE POSITION			
		EXECUTE			
	 →  CARD → CAMERA	IMPORT		78	
	SELECT POSITION				
	EXECUTE				

CAMERA · CARD CARD CAMERA MENU (cont.)

Submenu	Menu Item	Setting Options	
CUSTOMIZE			
CUSTOM FUNCTION	C.Fn1, C.Fn2, C.Fn3	APPLY THIS SET	80
		TUNE	79
		SAVE TO CARD	80
		READ FROM CARD	80
		RESET	80
		Setting Items:	82
		SHCKLSS WB/GN	00 – 03
		AE RESPONSE	00 – 02
		HIGH-SPEED ZOOM	00 (OFF) – 01 (ON)
		FOCUS RING CTRL	00 (NORMAL) – 01 (SLOW)
		BUTTONS OPER.	00 – 15
		RINGS DIRECTION	00 – 07
		DIALS DIRECTION	00 – 03
		FOCUS PRIORITY	00 (OFF) – 01 (ON)
		SIMULT.IMG.REC	00 – 02
		MARKER LEVEL	00 – 07
		F.AST BW-MOD	00 – 03
		OBJ DST UNIT	00 (meter) – 01 (ft.)
		ZOOM INDICATOR	00 (BAR) – 01 (NUMBER)
		COLOR BARS	00 (TYPE 1) – 01 (TYPE 2)
		1kHz TONE	00 – 02
		WIRELESS REMOTE	00 – 02
		POWER SAVE	00 (OFF) – 01 (ON)
		TALLY LAMP	00 – 02
		LED	00 – 02
		BEEP	00 – 02
CHARACTER REC	00 (OFF) – 01 (ON)		

E

CAMERA · CARD CARD CAMERA MENU (cont.)

Submenu	Menu Item	Setting Options		
CUSTOMIZE				
CUSTOM DISPLAY	TUNE		86	
	SAVE TO CARD		87	
	READ FROM CARD		87	
	RESET		87	
	Setting Items:	REC PROGRAMS	00 (OFF) – 01 (ON)	87
		CAMERA DATA1	00 – 07 [03]	
		CAMERA DATA2	00 – 07	
		ZOOM	00 – 02 [01]	
		FOCUS	00 – 02 [01]	
		ND	00 (OFF) – 01 (ON)	
		IMAGE EFFECTS	00 – 07	
		F.ASSIST FUNC.	00 – 03	
		CUSTOMIZE	00 – 03	
		RECORDING STD	00 (OFF) – 01 (ON)	
		DV REC MODE	00 (OFF) – 01 (ON)	
		FRAME RATE	00 (OFF) – 01 (ON)	
		TAPE	00 – 07 [03]	
		TAPE REMAINDER	00 – 02	
		TAPE/CARD	00 – 03	
		LIGHT METERING	00 – 03	
	CARD	00 – 07 [03]		
	CARD REMAINDER	00 – 02		
	AUDIO	00 – 07		
	CONDENSATION	00 (OFF) – 01 (ON)		
	BATTERY	00 – 02		
	WIRELESS REMOTE	00 – 02		



VCR/PLAY · CARD CARD VCR/PLAY MENU

 * **XHG1** only.

Submenu	Menu Item	Setting Options	📖	
SIGNAL SETUP	COMP. OUT	576i, 1080i/576i	94	
	SDI OUTPUT*	ON, OFF	93	
	SDI SPEC.*	AUTO , SD LOCKED	93	
CARD OPERATIONS	🖨️ PRINT ORD. ALL ERASE	NO , YES	122	
	ERASE ALL IMAGES	NO , YES	119	
	INITIALIZE	CANCEL , INITIALIZE, COMPL.INIT.	121	
	After pressing the SET button while displaying a still image:			
	IMAGE ERASE	CANCEL , ERASE	119	
	PROTECT	OFF, ON	120	
	PRINT ORDER	0 ~ 99 COPIES	122	
	SLIDESHOW	CANCEL, START	117	
	DISPLAY SETUP/ 🗨️	CVF SETUP	BRIGHTNESS	16
			CONTRAST	
COLOR				
SHARPNESS				
BACKLIGHT BRIGHT, NORMAL				
LCD SETUP		BRIGHTNESS	17	
		CONTRAST		
		COLOR		
		SHARPNESS		
		BACKLIGHT BRIGHT, NORMAL		
CVF+LCD BW		ON, OFF	18	
CVF+LCD ON		ON, OFF	18	
TV SCREEN		ON, OFF	86	
CUSTOM KEY		ON, OFF	66	
LANGUAGE 🗨️		DEUTSCH, ENGLISH , ESPAÑOL, FRANÇAIS, ITALIANO, POLSKI, РУССКИЙ, 简体中文, 日本語	71	
SYSTEM SETUP/ 🗨️	CUSTOM KEY 1	TV SCREEN , CVF+LCD BW, (NONE)	67	
	CUSTOM KEY 2	TV SCREEN, CVF+LCD BW , (NONE)		
	D/TIME SET 🗨️	T.ZONE/DST	24	
		DATE/TIME		
		DATE FORMAT Y.M.D. 2006.1.1 AM12:00 M.D.Y. JAN.1.2006 12:00AM D.M.Y. 1.JAN.2006 12:00AM		71
	RESET ALL	NO , YES	-	
FIRMWARE	-	-		

E

VCR/PLAY · CARD CARD VCR/PLAY MENU (cont.)

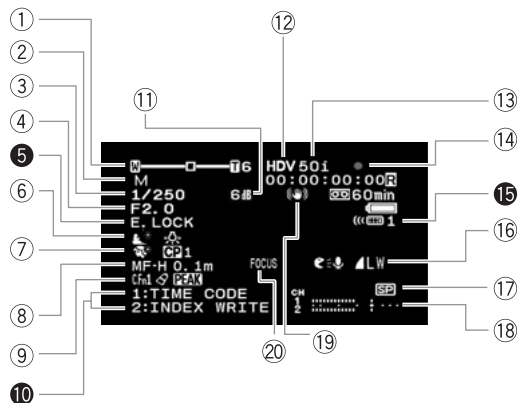
Submenu	Menu Item	Setting Options		
CUSTOMIZE				
META DATA CP	 →  CARD → CAMERA	IMPORT	72	
		SELECT POSITION		
		EXECUTE		
CUSTOM FUNCTION	C.Fn1, C.Fn2, C.Fn3	APPLY THIS SET	80	
		TUNE	79	
		SAVE TO CARD	80	
		READ FROM CARD	80	
		RESET	80	
		Setting Items:		82
		SHCKLSS WB/GN	00 – 03	
		AE RESPONSE	00 – 02	
		HIGH-SPEED ZOOM	00 (OFF) – 01 (ON)	
		FOCUS RING CTRL	00 (NORMAL) – 01 (SLOW)	
		BUTTONS OPER.	00 – 15	
		RINGS DIRECTION	00 – 07	
		DIALS DIRECTION	00 – 03	
		FOCUS PRIORITY	00 (OFF) – 01 (ON)	
		SIMULT.IMG.REC	00 – 02	
		MARKER LEVEL	00 – 07	
		F.AST BW-MOD	00 – 03	
		OBJ DST UNIT	00 (meter) – 01 (ft.)	
		ZOOM INDICATOR	00 (BAR) – 01 (NUMBER)	
		COLOR BARS	00 (TYPE 1) – 01 (TYPE 2)	
		1kHz TONE	00 – 02	
		WIRELESS REMOTE	00 – 02	
		POWER SAVE	00 (OFF) – 01 (ON)	
TALLY LAMP	00 – 02			
LED	00 – 02			
BEEP	00 – 02			
CHARACTER REC	00 (OFF) – 01 (ON)			

Screen Displays

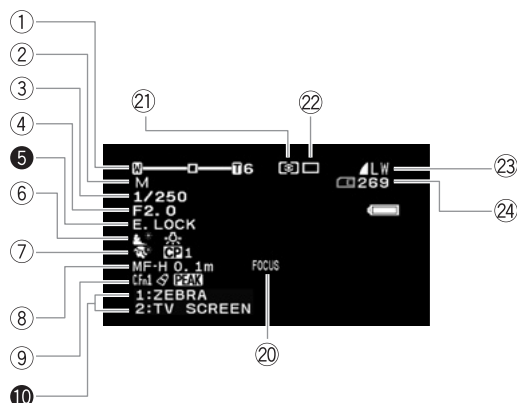
Screen Displays during Recording

See also [book 27](#).

CAMERA



CAMERA · CARD



- ① Zoom position/Zoom speed ([book 31](#)) / Exposure level ([book 53](#))
- ② Programmed AE ([book 48](#))
- ③ Shutter speed* ([book 51, 53](#))
- ④ Aperture* ([book 52, 53](#))
- ⑤ Exposure lock ([book 54](#)) / AE shift ([book 55](#))
- ⑥ Sky detail ([book 64](#)) / White balance ([book 58](#))
- ⑦ Skin detail ([book 63](#)) / Custom preset ([book 72](#))
- ⑧ Manual focus ([book 34](#))
- ⑨ Custom function ([book 79](#)) / Color correction ([book 61](#)) / Peaking ([book 35](#))
- ⑩ Custom keys ([book 66](#)) / Date and time ([book 24](#))
- ⑪ Gain ([book 56](#))
- ⑫ Recording standard ([book 29](#))
- ⑬ Frame rate ([book 38](#))

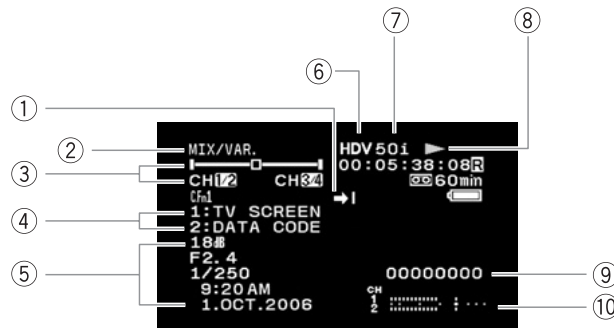
- ⑭ Tape operation
 ● REC ■ STOP
 ●|| PAUSE ▲ EJECT
- ⑮ Remote sensor mode ([book 102](#))
- ⑯ Microphone mode ([book 43](#)) / Simultaneous Still image size/quality ([book 107](#))
- ⑰ (SD) Recording mode ([book 71](#))
- ⑱ Audio level indicator ([book 45](#))
- ⑲ Image stabilizer ([book 47](#))
- ⑳ Magnifying ([book 35](#))
- ㉑ Metering method ([book 114](#))
- ㉒ Drive mode ([book 112](#))
- ㉓ Still image size/quality ([book 107](#))
- ㉔ Available still images on the card ([book 107](#))

* In Manual mode.

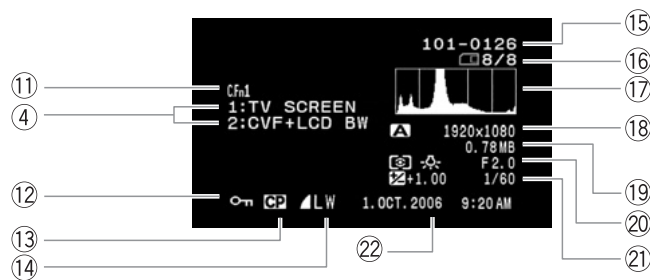
** On-screen displays other than those marked in reverse: With the customized displays you can select whether the icons/indicators will appear on the screen or not ([book 86](#)).

Screen Displays during Playback

VCR/PLAY

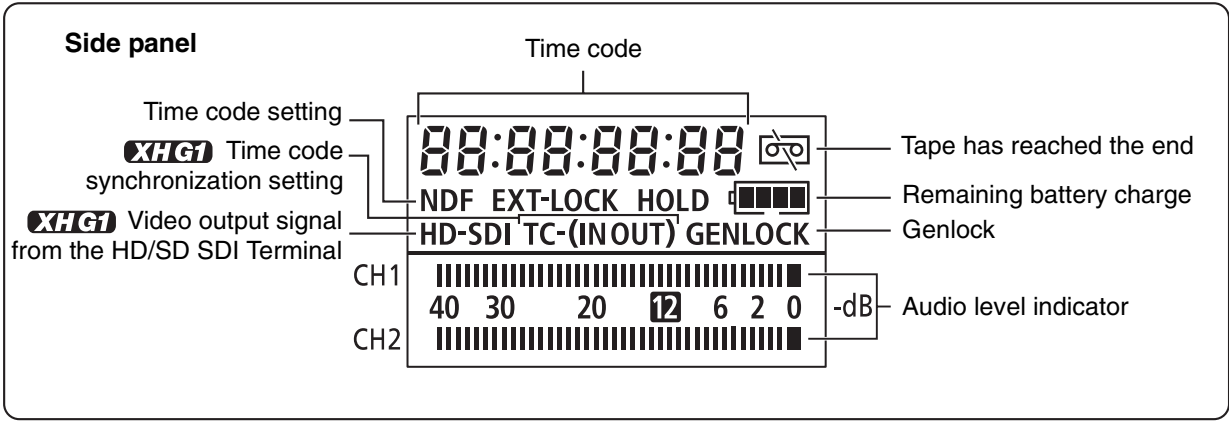


VCR/PLAY · CARD





- ① Date search (book icon 100)/ Index search (book icon 99)/ End search (book icon 30)
- ② Audio output (book icon 97)
- ③ Audio monitor (book icon 97)
- ④ Custom keys (book icon 66)
- ⑤ Data code (book icon 101)
- ⑥ Recording standard (book icon 29)
- ⑦ Frame rate (book icon 38)
- ⑧ Tape operation (book icon 91)
 - REC
 - || PAUSE
 - STOP
 - ▲ EJECT
 - ▶ PLAY
 - ▶▶ : Fast forward
 - ◀◀ : Rewind
 - ▶▶/◀◀ : Fast forward playback/rewind playback
 - ×2▶/◀×2 : ×2 playback
 - ×1▶/◀×1 : ×1 playback
 - ||▶/◀|| : Frame advance playback

- ⑨ User bit (book icon 42)
- ⑩ Audio level indicator (book icon 45)
- ⑪ Custom function (book icon 79)
- ⑫ Image protected (book icon 120)
- ⑬ Custom preset data embedded with the still image (book icon 77)
- ⑭ Still image size/quality
- ⑮ Image number (book icon 108)
- ⑯ Total number of still images (book icon 107)
- ⑰ Histogram (book icon 118)
- ⑱ Programmed AE (book icon 48)/Still image size (book icon 107)
- ⑲ Focus (book icon 33)/ File size
- ⑳ Metering method (book icon 114)/White balance (book icon 58)/ Aperture* (book icon 52, 53)
- ㉑ Exposure lock (book icon 54)/ AE shift (book icon 55)/ Shutter speed* (book icon 51, 53)
- ㉒ Date and time of recording



List of Messages

Message	Explanation	
SET THE TIME ZONE, DATE AND TIME	You have not set the time zone, date and time. This message appears each time you turn the power on until you set the time zone, date and time.	24
CHANGE THE BATTERY PACK	Battery pack is exhausted. Replace or charge the battery pack.	13
THE TAPE IS SET FOR ERASURE PREVENTION	Cassette is protected. Replace the cassette or change the position of the protect switch.	147
REMOVE THE CASSETTE	Camcorder stopped operating to protect the tape. Remove the cassette and reinsert it.	21
CHECK THE HDV/DV INPUT	DV cable is not connected, or the connected digital device is turned off.	103
CONDENSATION HAS BEEN DETECTED	Condensation has been detected in the camcorder.	145
TAPE END	Tape reached the end. Rewind the tape or replace the cassette.	–
HEADS DIRTY, USE CLEANING CASSETTE	Video heads are dirty. Clean the video heads.	144
NO CARD	Memory card not is inserted into the camcorder.	22
NO IMAGES	No images are recorded on the memory card.	–
CARD ERROR	A memory card error occurred. The camcorder cannot record or play back the image. The error may be temporary. If the message disappears after 4 seconds an “  <p>142</p>	

Maintenance/Others

Camcorder Handling Precautions

- Do not carry the camcorder by the viewfinder, the LCD panel, the microphone or its cable.
- Do not leave the camcorder in places subject to high temperatures, such as a sun-heated car, and high humidity.
- Do not use the camcorder in places subject to magnetic or electric fields such as near TV sets, plasma TVs, radio transmitters or portable communication devices.
- Do not point the lens or viewfinder at strong light sources. Do not leave the camcorder pointed at a bright subject.
- Do not use the camcorder in dusty or sandy places. Dust or sand getting inside the cassette or camcorder may cause damage. Dust and sand can also damage the lens. Attach the lens cap after use.
- The camcorder is not waterproof. Water, mud or salt getting inside the cassette or camcorder may cause damage.
- Be careful of heat generated by lighting equipment.
- Do not disassemble the camcorder. If the camcorder does not function properly, consult qualified service personnel.
- Handle the camcorder with care. Do not subject the camcorder to shocks or vibration as this may cause damage.
- Avoid sudden changes in temperature. Moving the camcorder rapidly between hot and cold temperatures may cause condensation to form on its internal surfaces (📖 145).

Storage

- If you do not intend to use the camcorder for a long time, store it in a place free of dust, with low humidity, and at temperatures not higher than 30 °C.
- After storage, check the functions of your camcorder to make sure that the camcorder is still working properly.

Cleaning

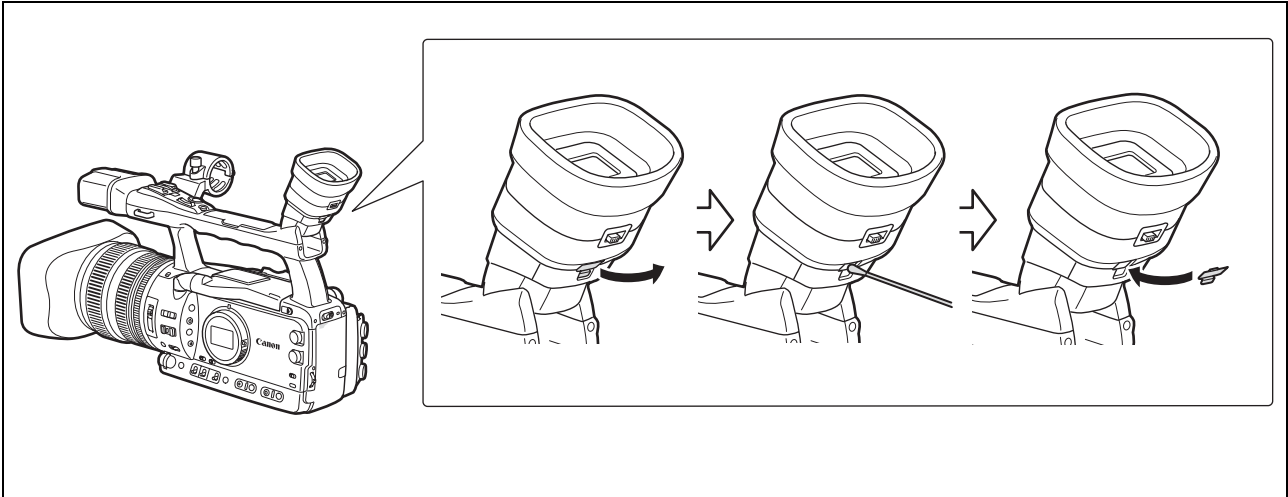
Camcorder Body and Lens

- Use a soft, dry cloth to clean the camcorder body and lens. Never use chemically treated cloth or volatile solvents such as paint thinner.

LCD Screen

- Clean the LCD screen using a commercially available lens cleaning cloth.
- Condensation may form on the surface of the screen when the temperature changes suddenly. Wipe it with a soft dry cloth.

Viewfinder



1. Open the protect cover (e.g. using a flathead screwdriver).
2. Clean the glass with a cotton swab.
3. Reattach the protect cover.



Be careful not to scratch the glass when cleaning.

Video Heads

- When the message “HEADS DIRTY, USE CLEANING CASSETTE” appears, when the playback picture becomes distorted, or if, when playing back a tape in HDV standard, the picture and/or sound stops momentarily (about 0.5 seconds) the video heads need to be cleaned.
- To maintain the best picture quality, we recommend cleaning the video heads frequently with the Canon DVM-CL Digital Video Head Cleaning Cassette or a commercially available dry cleaning cassette.
- Tapes already recorded with dirty video heads may not be played back correctly even when you clean the video heads.
- Do not use wet type cleaning cassettes as this may damage the camcorder.
- If the playback picture does not improve after cleaning the video heads it may indicate a malfunction. Consult a Canon Service Center.

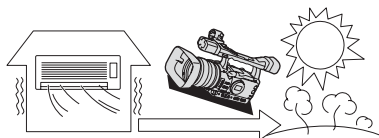


Condensation

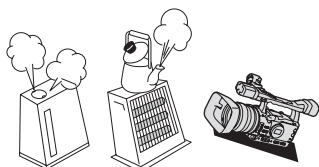
Moving the camcorder rapidly between hot and cold temperatures may cause condensation (water droplets) to form on its internal surfaces. Stop using the camcorder if condensation is detected. Continued use may damage the camcorder.

Condensation may form in the following cases:

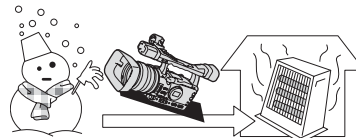
When the camcorder is moved from an air-conditioned room to a warm, humid place



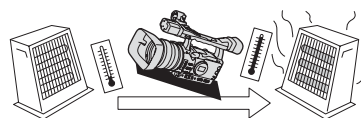
When the camcorder is left in a humid room



When the camcorder is moved from a cold place to a warm room





When a cold room is heated rapidly



How to avoid condensation:

○Unload the cassette, place the camcorder in an airtight plastic bag and let it adjust to temperature changes slowly before removing it from the bag.

When condensation is detected:

- The camcorder stops operating, and the warning message “CONDENSATION HAS BEEN DETECTED” appears for approx. 4 seconds and “” starts flashing.
- If a cassette is loaded, the warning message “CONDENSATION HAS BEEN DETECTED REMOVE THE CASSETTE” appears and “” starts flashing. Remove the cassette immediately and leave the cassette compartment open. Leaving the cassette in the camcorder may damage the tape.
- A cassette cannot be loaded when condensation is detected.

Resuming use:

○It takes about 1 hour until the water droplets evaporate. After the condensation warning stops flashing, wait for 1 more hour before resuming use.

Battery Pack Handling Precautions

DANGER!

Treat the battery pack with care.

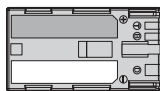
- Keep it away from fire (or it might explode).
- Do not expose the battery pack to temperature higher than 60 °C. Do not leave it near a heater or inside a car in hot weather.
- Do not try to disassemble or modify it.
- Do not drop or knock it.
- Do not get it wet.

- Charged battery packs continue to discharge naturally. Therefore, charge them on the day of use, or the day before, to ensure a full charge.
- Attach the terminal cover whenever a battery pack is not in use. Contact with metallic objects may cause a short circuit and damage the battery pack.
- Dirty terminals may cause a poor contact between the battery pack and the camcorder. Wipe the terminals with a soft cloth.
- Since storing a charged battery pack for a long time (about 1 year) can shorten its lifecycle or affect performance, we recommend to discharge the battery pack fully and to store it in a dry place at temperatures no higher than 30 °C. If you do not use the battery pack for long periods, charge and discharge it fully at least once a year. If you have more than 1 battery pack, perform these precautions at the same time for all battery packs.
- Although the battery pack's operating temperature range is from 0 °C to 40 °C, the optimal range is from 10 °C to 30 °C. At cold temperatures, performance will temporarily decline. Warm it in your pocket before use.
- Replace the battery pack if the usable time after full charge diminishes substantially at normal temperatures.

About the battery terminal cover

The battery terminal cover has a [□]-shaped hole. This is useful when you wish to differentiate between charged and uncharged battery packs. For example, with charged battery packs, attach the terminal cover so that the [□]-shaped hole shows the blue label.

Back side of the battery pack

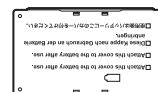


Terminal cover attached

Charged



Uncharged




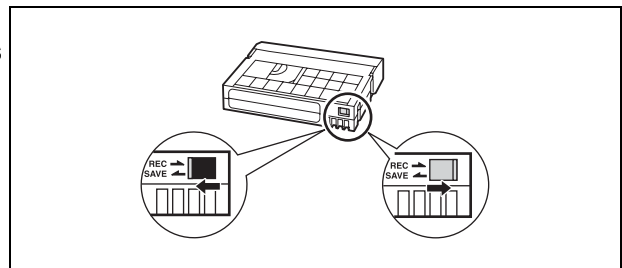
Cassette Handling Precautions

- Rewind tapes after use. If the tape is loose or damaged, it may cause picture and sound distortion.
- Return cassettes to their case and store them upright. Rewind tapes from time to time if they are stored for a long time.
- Do not leave the cassette in the camcorder after use.
- Do not use spliced tapes or nonstandard cassettes as they may damage the camcorder.
- Do not use tapes that have been jammed as video heads may become dirty.
- Do not insert anything into the small holes of the cassette, or cover them with cellophane tape.
- Handle cassettes with care. Do not drop or subject them to severe impact as this may damage the cassettes.
- With cassettes equipped with a memory function, metal plated terminals may become dirty with use. Clean the terminals with a cotton swab after about 10 times of loading/unloading. The memory function is not supported by the camcorder.

Protecting Tapes from Accidental Erasure

To protect your recordings from accidental erasure, slide the tab on the cassette to the left. (This switch position is usually labeled SAVE or ERASE OFF.)

If you load a protected cassette in recording mode, the message “THE TAPE IS SET FOR ERASURE PREVENTION” appears for approx. 4 seconds and “” starts flashing. If you wish to record on that cassette, slide the tab back to the right.



Memory Card

- To transfer the still images recorded on the memory disc to a computer, use a commercially available card reader or PC/PCMCIA memory card adapter.
- Initialize new memory cards with the camcorder. Memory cards initialized with other devices such as a computer may not operate correctly.
- We recommend saving backups of memory card images on your computer's hard drive or other external memory device. Image data may be corrupted or lost due to memory card defects or exposure to static electricity. Canon Inc. makes no warranties for corrupted or lost data.
- Do not use memory cards in places subject to strong magnetic fields.
- Do not leave memory cards in places subject to high humidity and high temperature.
- Do not disassemble memory cards.
- Do not bend, drop, or subject memory cards to shocks and do not expose them to water.
- Moving a memory card rapidly between hot and cold temperatures may cause condensation to form on its external and internal surfaces. If condensation forms on the card, put it aside until the droplets have evaporated completely.
- Do not touch or expose the terminals to dust or dirt.
- Check the direction before inserting the memory card. Forcing a memory card backwards into the slot may damage the memory card or the camcorder.
- Do not remove the label from the memory card, or affix other labels on the memory card.
- When you erase image files or initialize the memory card, only the file allocation table is altered and the data itself is not actually deleted. Take the necessary precautions when you dispose of the memory card, for example by physically damaging it to prevent the leakage of private data.

Using the Camcorder Abroad

Power Sources

You can use the compact power adapter to operate the camcorder and to charge battery packs in any country with power supply between 100 and 240 V AC, 50/60 Hz. Consult the Canon Service Center for information on plug adapters for overseas use.

Playback on a TV Screen

You can only play back your recordings on TVs with PAL system. The PAL system is used in the following countries/areas:

Algeria, Australia, Austria, Bangladesh, Belgium, Brunei, China, Denmark, Finland, Germany, Hong Kong Special Administrative Region, Iceland, India, Indonesia, Ireland, Israel, Italy, Jordan, Kenya, Kuwait, Liberia, Malaysia, Malta, Mozambique, the Netherlands, New Zealand, North Korea, Norway, Oman, Pakistan, Portugal, Qatar, Serbia and Montenegro, Sierra Leone, Singapore, South Africa, Spain, Sri Lanka, Swaziland, Sweden, Switzerland, Tanzania, Thailand, Turkey, Uganda, United Arab Emirates, United Kingdom, Yemen, Zambia.

Troubleshooting

If you have a problem with your camcorder, refer to this checklist. Consult your dealer or a Canon Service Center if the problem persists.

Power Source

Problem	Cause	Solution	📖
Camcorder will not turn on.	Battery pack is not correctly attached.	Attach the battery pack correctly.	13
The camcorder switches off by itself.	Power save function has been activated.	Turn on the camcorder.	26
The screen switches on and off.	Battery pack is exhausted.	Replace or charge the battery pack.	13

Recording/Playback

Problem	Cause	Solution	📖
Buttons will not work.	Cassette is not loaded.	Load a cassette.	21
"☁" flashes on the screen.	Condensation is detected.	See reference page.	145
"REMOVE THE CASSETTE" appears on the screen.	Camcorder stopped operating to protect the tape.	Remove the cassette and reinsert it.	21
The wireless controller will not work.	Camcorder and wireless controller are not set to the same remote sensor mode.	Change the remote sensor modes.	102
	Batteries of the wireless controller are exhausted.	Replace the batteries.	20
Abnormal characters appear on the screen. The camcorder does not operate properly.	This camcorder uses a microcomputer. External noise or static electricity may cause abnormal characters to appear on the screen.	Disconnect the power source and reconnect it after a short time. If the problem still persists, disconnect the power source and press the RESET button with a pointed item. Pressing the RESET button resets all settings.	–

Recording

Problem	Cause	Solution	📖
The POWER dial is not in the OFF position but the POWER indicator is off.	The LED indicators option in the customized functions is set to [02 OFF].	Set the [LED] setting to one of the other types.	85
	The STANDBY lever is at the LOCK position.	Turn the STANDBY lever to the STANDBY position.	26
Image will not appear on the screen.	The POWER dial is not set to a recording program.	Set the POWER dial to a recording program.	25
"SET THE TIME ZONE, DATE AND TIME" appears on the screen.	Time zone, date and time are not set, or the built-in rechargeable lithium battery is exhausted.	Set the time zone, date and time. If necessary, power the camcorder with the compact power adapter and leave it connected with the POWER dial set to OFF for at least 24 hours to recharge the built-in battery before making the settings.	24
Pressing the start/stop button will not start recording.	Cassette is not loaded.	Load a cassette.	21
	The POWER dial is not set to a recording program.	Set the POWER dial to a recording program.	25
	The lock switch is set to prevent the operation of the controls on the carrying handle.	Slide the lock switch to the left to enable the operation of the carrying handle controls.	26
Camcorder will not focus.	Autofocus does not work on that subject.	Focus manually.	34
	Viewfinder is not adjusted.	Adjust the viewfinder with the dioptic adjustment lever.	16
	Lens is dirty.	Clean the lens.	143
The tally lamp will not light up.	The tally lamp option in the customized functions is set to [02 OFF].	Set the [TALLY LAMP] setting to [ON] or [BLINK].	85

Recording

Problem	Cause	Solution	
A vertical light bar appears on the screen.	Bright light in a dark scene may cause a vertical light bar (smear) to appear. This is not a malfunction.	Record in the Av mode with F5.6–F8.0.	52
Viewfinder picture is blurred.	Viewfinder is not adjusted.	Adjust the viewfinder with the dioptic adjustment lever.	16
Audio is not recorded.	The input channel selection switch is not set to the correct position.	Set the input channel selection switch to the correct position.	44
	Even though you are using the built-in microphone, [XLR INPUT] is set to [ON → XLR].	Set [XLR INPUT] to [OFF].	44
	Microphone connected to the XLR terminal needs to be powered by the phantom power.	Set the +48V switch to ON.	44
Audio is recorded in a very low level.	The AUDIO LEVEL switch is set to M, and recording level is set too low.	Adjust the audio level correctly.	45
	Microphone attenuator is turned on.	Set the MIC ATT. switch or the XLR MIC ATT. switch to OFF.	45

Playback

Problem	Cause	Solution	
Pressing the playback button does not start playback.	Camcorder is turned off, or is not set to VCR/PLAY mode.	Set the camcorder to VCR/PLAY mode.	91
	Cassette is not loaded.	Load a cassette.	21
Tape is running, but image will not appear on the TV screen.	Video heads are dirty.	Clean the video heads.	144
	You attempted to play back or dub a copyright protected tape.	Stop playback/dubbing.	–
	The video output cable is not connected correctly.	Verify that the video cable is connected properly.	–
While playing back a tape recorded in HDV standard there are brief stops in the playback picture.	Video heads are dirty.	Clean the video heads with a dry cleaning cassette.	144

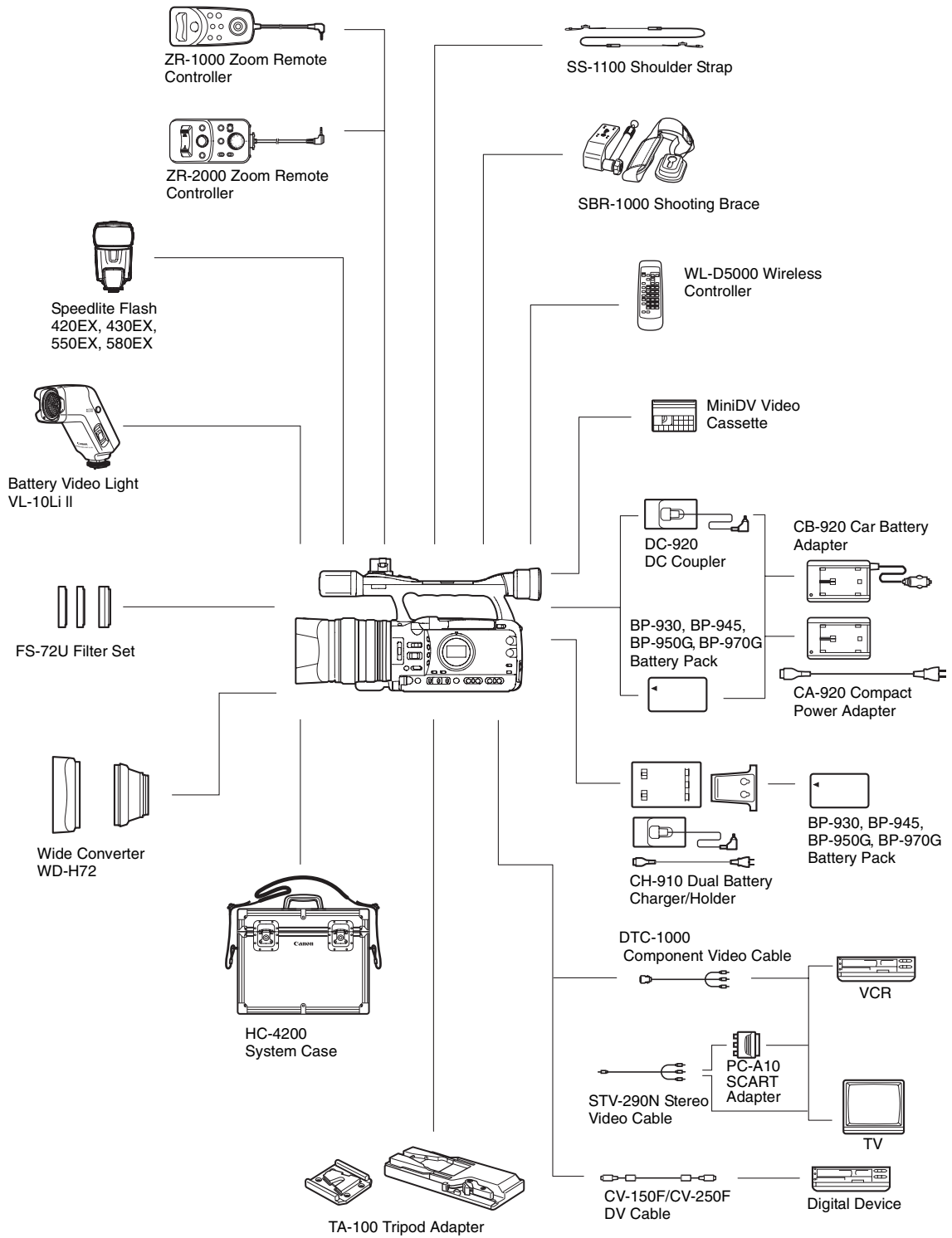
Memory Card Operations

Problem	Cause	Solution	
Memory card cannot be inserted.	Memory card was not facing the correct direction.	Turn the memory card over and reinsert it.	22
Memory card cannot be recorded.	No memory card.	Insert a memory card.	22
	Memory card is full.	Replace the memory card or erase images.	119
	Memory card is not initialized.	Initialize the memory card.	121
	The folder and file numbers have reached their maximum value.	Set [FILE NOS.] to [RESET] and insert a new memory card.	108
Memory card cannot be played back.	The POWER dial or □/□ (card/tape) switch are not set to the correct position.	Set the POWER dial to VCR/PLAY and the □/□ (card/tape) switch to □ .	117
Image cannot be erased.	Image is protected.	Cancel the protection.	120
	On an SDHC or SD memory card, the write-protect switch is set to the locked position.	Change the position of the write-protect switch on the memory card to unlock it.	
"□" flashes red.	Card error occurred.	Turn off the camcorder. Remove and reinsert the memory card. Initialize the memory card if flashing persists.	121

About the LCD screen

The LCD screen is produced with extremely high-precision manufacturing techniques, with more than 99.99% of the pixels operating to specification. Less than 0.01% of the pixels may occasionally misfire or appear as black, red, green or blue dots. This has no effect on the recorded image and does not constitute a malfunction.

System Diagram (Availability differs from area to area)



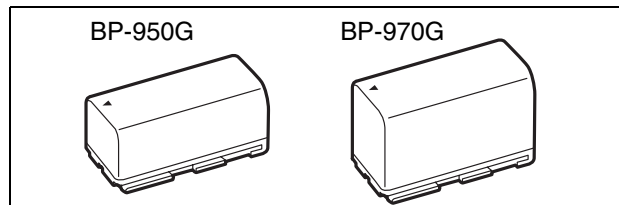
Optional Accessories

Use of genuine Canon accessories is recommended.

This product is designed to achieve excellent performance when used with genuine Canon accessories. Canon shall not be liable for any damage to this product and/or accidents such as fire, etc., caused by the malfunction of non-genuine Canon accessories (e.g., a leakage and/or explosion of a battery pack). Please note that this warranty does not apply to repairs arising out of the malfunction of non-genuine Canon accessories, although you may request such repairs on a chargeable basis.

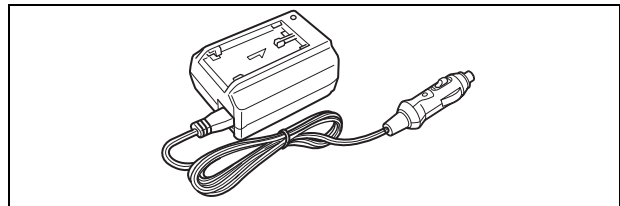
Battery Packs

The BP-950G is also available as an optional accessory. The optional BP-970G provides over 35% more recording time than the BP-950G.



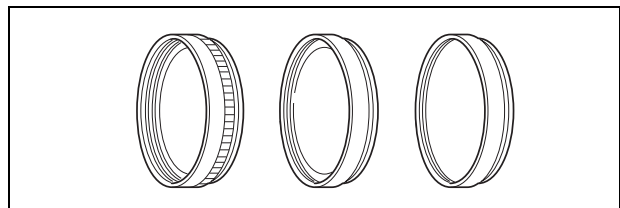
Car Battery Adapter CB-920

Use the car battery adapter to power the camcorder or charge battery packs on the move. The car battery adapter plugs into your car's cigarette lighter socket and runs off a 12-24V DC negative ground battery.



FS-72U Filter Set

Ultraviolet, neutral density and circular polarizing filters to help you take control of difficult lighting conditions.



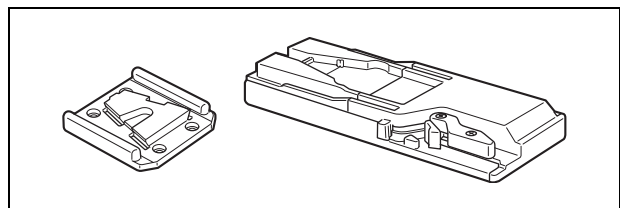
HC-4200 System Case

A solid, lockable case that provides safe and stylish protection for the camcorder during transportation and storage.



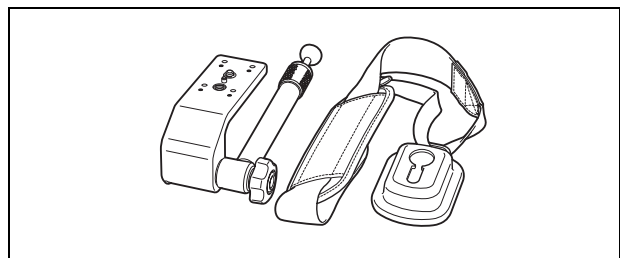
TA-100 Tripod Adapter

The TA-100 allows you to quickly mount/unmount the XH G1/XH A1 on/from a tripod.



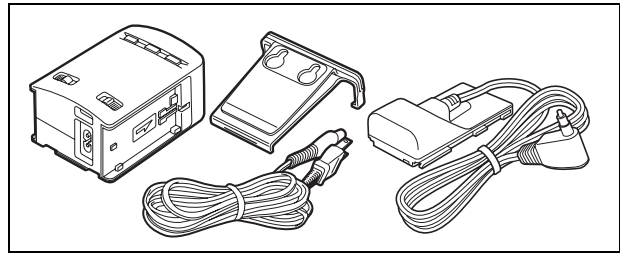
SBR-1000 Shooting Brace

Using the SBR-1000 for additional support of the video camera with the neck strap will significantly lighten the load of the camera's weight while shooting.



CH-910 Dual Battery Charger/Holder


The CH-910 can charge two battery packs consecutively. You can also power the camcorder by connecting the CH-910 with charged battery packs to the camcorder. When you attach two battery packs, a battery pack can be exchanged without interrupting the power supply.

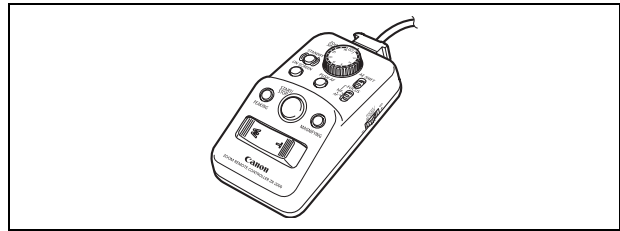



Battery Pack	Charging Time
BP-950G	280 min.
BP-970G	380 min.

Charging time varies according to the charging condition.

ZR-2000 Zoom Remote Controller

When the ZR-2000 is connected to the LANC  terminal of a Canon camcorder, it is possible to control functions such as the start and stop of recording, the zoom and the focus functions while reviewing the picture on the local display without touching the camcorder. This is particularly useful while the camcorder is mounted on a tripod and you want to ensure maximum stability of a shot.





This mark identifies genuine Canon video accessories. When you use Canon video equipment, we recommend Canon-brand accessories or products bearing the same mark.

Specifications

XH G1 / XH A1

System

Video Recording System	Rotary head, helical scanning, digital component recording (HDV) High Definition Video 1080i (DV) Consumer digital VCR SD system
Audio Recording System	(HDV) MPEG-1 audio layer 2, 16 bit (48 kHz), Transfer rate: 384 kbps (2CH) (DV) PCM digital sound, 16 bit (48 kHz) or 12 bit (32 kHz)
Television System	(HD) High Definition Video (HDV) 1080/50i (SD) CCIR standard (625 lines, 50 fields) PAL color signal
Image Sensor	1/3-inch CCD x 3 (horizontal pixel shift), approx. 1,670,000 pixels Effective pixels: [HDV] approx. 1,560,000 [SD16:9] approx. 1,560,000 [SD4:3] approx. 1,170,000
Tape Format	Videocassettes bearing the "MiniDV" mark.
Tape Speed	(HDV) 18.83 mm/s (DV) SP: 18.83 mm/s, LP: 12.57 mm/s
Maximum Recording Time (60 min. cassette)	(HDV) 60 min. (DV) SP: 60 min., LP: 90 min.
Fast Forward/Rewind Time	Approx. 2 min. 20 sec. (with a 60 min. cassette)
Viewfinder	0.57 in. wide, 16:9 aspect ratio TFT color, approx. 269,000 pixels
LCD Screen	2.8 in. wide, 16:9 aspect ratio TFT color, approx. 207,000 pixels
Microphone	Stereo electret, Cross-layout microphone
Lens	f=4.5-90 mm, F/1.6-3.5, 20x power zoom 35 mm equivalent: [HD], [SD16:9], 16:9 still images: approx. 32.5-650 mm [SD4:3], 4:3 still images: approx. 39.8-796 mm
Lens Configuration	16 elements in 11 groups (1 aspheric element)
Filter Diameter	72 mm
AF system	Autofocus, manual focusing with focus ring
White Balance	Auto white balance, pre-set white balance (indoor, outdoor), custom white balance, or color temperature setting
Minimum Illumination	0.3 lx (50i/25F mode, Manual mode, 1/3 shutter, F1.6, Gain 18 dB)
Recommended Illumination	More than 100 lx (50i/25F)
Image Stabilization	Optical Shift Image Stabilizer

Memory Card

Recording media	SDHC (SD High Capacity) memory card, SD memory card, MultiMedia Card (MMC)*
Size of Images on the Card	1920 x 1080, 1440 x 1080, 848 x 480, 640 x 480 pixels
File Format	Design rule for Camera File system (DCF), Exif 2.2** compliant, DPOF compliant
Image Compression Method	JPEG compression (Super Fine, Fine, Normal)

* The camcorder's operations have been tested with SD memory cards up to 2 GB. Performance cannot be guaranteed for all memory cards.

** The camcorder supports Exif 2.2 (also called "Exif Print"). Exif Print is a standard for enhancing the communication between camcorders and printers. By connecting to an Exif Print-compliant printer, the camcorder's image data at the time of shooting is used and optimized, yielding extremely high quality prints.

Input/Output Terminals

Video Terminals	A/V1: ∅ 3.5 mm mini jack (audio and video), V2: BNC jack (video only) 1 Vp-p/75 ohms unbalanced
Audio Out Terminals	A/V1: ∅ 3.5 mm mini jack (audio and video) -10 dBV 47 kohm load/3 kohms or less, unbalanced
Audio In Terminals	MIC: ∅ 3.5 stereo mini jack (unbalanced), ATT: 20 dB -64 dBV (Auto mode)/600 ohms Max: -76 dBV (Manual mode, max. volume) A/V1: ∅ 3.5 mm mini jack (audio and video) -10 dBV /47 kohms XLR: XLR jack (pin1: shield, pin2: hot, pin3: cold), ATT: 20 dB -59.5 dBV (Auto mode)/600 ohms (LINE/MIC switch set to MIC) 6 dBV (Auto mode)/10 kohms (LINE/MIC switch set to LINE) Max 1: -71.5 dBV (Auto mode, XLR GAIN UP at 12 dB) Max 2: -71.5 dBV (Manual mode, max. volume) Max 3: -83.5 dBV (Manual mode, max. volume, XLR GAIN UP at 12 dB)
HDV/DV Terminal	Special 4-pin connector (IEEE1394 compliant) input/output
Headphone Terminal	∅ 3.5 mm stereo mini-jack, -23.5 dBV (16 ohm load)/50 ohms
LANC Terminal	∅ 2.5 mm stereo mini-jack
XHG1 GENLOCK Terminal	BNC jack, input : 1 Vp-p/75 ohms
XHG1 TIME CODE Terminal	BNC jack, input : 0.5 V-18 Vp-p/10 kohms output : 1 Vp-p/75 ohms
XHG1 HD/SD-SDI Terminal	BNC jack, output only, 0.8 Vp-p/75 ohms, unbalanced SDI 576/50i: ITU-R BT.656, SMPTE 272M, SMPTE RP 188 (LTC) HD-SDI: SMPTE 292M, SMPTE 299M, SMPTE RP 188 (LTC)
COMPONENT OUT Terminal	1080i (D3)/576i (D1) compatible

Power/Others

Power supply (rated)	7.4 V (battery pack)
Power consumption	Recording with autofocus, HD mode: XHG1 Viewfinder [NORMAL]: 7.1 W, LCD screen [NORMAL]: 7.3 W XHA1 Viewfinder [NORMAL]: 6.7 W, LCD screen [NORMAL]: 6.9 W
Operating temperature	0 – 40 °C
Dimensions (W x H x D)	163 x 189 x 350 mm excluding the gripbelt
Weight	XHG1 2,100 g XHA1 2,030 g

CA-920 Compact Power Adapter

Power supply	100 – 240 V AC, 50/60 Hz
Power consumption	24 W
Rated output	Adapter: 7.2 V DC, 2.0 A, Charger: 8.4 V DC, 1.5 A
Operating temperature	0 – 40 °C
Dimensions	75 x 99 x 51 mm
Weight	215 g without power cable

BP-950G Battery Pack

Battery type	Rechargeable lithium ion battery
Rated voltage	7.4 V DC
Operating temperature	0 – 40 °C
Battery capacity	5,200 mAh
Dimensions	38.2 x 40.3 x 70.5 mm
Weight	210 g

Weight and dimensions are approximate. Errors and omissions excepted. Subject to change without notice.

A

Abroad, using the camcorder	148
Accessories	7, 152
AE shift	55
AEB - Auto exposure bracketing	113
Analog/digital (A/D) converter	105
Aspect guides	28
Aspect ratio	29
Audio level indicator	45
Audio mode (SD)	43
Audio output (SD)	97
Audio recording	43
Audio reference signal	69
Auto (recording program)	48
Autofocus (AF) mode	33
Av (recording program)	52

B

Battery pack	13
Black level	72
Built-in backup battery	14

C

Clear scan	65
Color bars	69
Color correction	61
Color gain	73
Color matrix	73
Color phase	74
COMPONENT OUT terminal	94
Component video	94
Condensation	145
Connection to a computer	106
Connection to a High Definition TV (HDTV)	93
Connection to a TV/VCR	93, 95
Continuous Shooting	112
Coring	73
Custom keys	66
Custom preset settings	72
Customized displays	86
Customized functions	79

D

Data code	101
Date and time	24
Date format	71
Date search	100
DC coupler	14
Drive mode	112
DV control	70

E

Easy recording (recording program)	48
End search	30
Erasing still images	119
Error messages	142
Exposure	54
External synchronizations*	40
External video, analog line-in	103
External video, HDV/DV in	103

F

File numbers	108
--------------	-----

Flash	115
Focus	33
Focus preset	35
Frame rate	38
Free-run (time code)	39

G

Gain	56
Gamma	72
Genlock*	40
Grip belt	18

H

HD/SD SDI terminal*	93
HD/SD video signal standards	4
HDV/DV tape recording standards	4
HDV/DV terminal	94, 103, 106

I

Image jump	118
Image stabilizer	47
Index search	99
Index write	67
Initialization - Memory card	121

K

Knee	72
------	----

L

Language	71
LCD screen	17
LCD side panel	141
Lens hood	19
Low-angle recording	26

M

Maintenance	143
Manual (recording program)	53
Manual focus	34
Master pedestal	73
Memory card	22, 147
MENU settings	124
Microphone	44
Microphone attenuator	45
Mix balance	97

N

ND filter	37
Night (recording program)	49
NR	73

P

Peaking and Magnifying (focus assist)	35
Phantom power (microphone)	44
Playback - Movies	91
Playback - Still images	117
Power adapter	13
POWER dial	8
Power save	26
Print order	122
Programmed AE	48
Protecting still images	120

R		
Record review	28	
Recording - Movies	25	
Recording - Still images	109	
Recording mode (SD)	71	
Recording programs	48	
Rec-run (time code)	39	
Rec-run preset (time code)	39	
Remaining battery indication	27	
Remaining tape indication	27	
Remote sensor	20	
S		
Safety zone	28	
Screen displays	86	
Screen markers	28	
SD memory card	22	
Setup level	73	
Sharpness	73	
Shoulder strap	18	
Shutter speed	51	
Signal standard	29	
Simultaneous recording (tape/memory card)	110	
Skin detail	63	
Sky detail	64	
Slideshow	117	
Specifications	154	
Spotlight (recording program)	49	
Still image quality	107	
Still image review	116	
Still image size	107	
T		
Tape protection	147	
Temporary autofocus	34	
Time code	39	
Time code synchronization*	40	
Troubleshooting	149	
Tv (recording program)	51	
U		
User bit	42	
V		
VCR Stop	26	
Video heads, cleaning	144	
Videocassettes	21, 147	
Viewfinder	16	
W		
White balance	58	
Wireless controller	20	
Z		
Zebra pattern	60	
Zero set memory	98	
Zoom	31	
Zoom preset	32	
Zoom speed	31	

Custom Keys

Make a copy of this page and carry it with you as a reminder of the functions that can be assigned to each of the two custom keys in each operation mode.

You can assign frequently used functions to the custom keys. The custom keys can have different functions assigned to them in each of the operation modes.

Default settings:

	CAMERA	VCR/PLAY	CAMERA · CARD	VCR/PLAY · CARD
CUSTOM KEY 1	TIME CODE	TV SCREEN	ZEBRA	TV SCREEN
CUSTOM KEY 2	INDEX WRITE	DATA CODE	TV SCREEN	CVF+LCD BW

The following functions can be assigned to the custom keys:

<p>CAMERA</p> <p>Time code Time code hold ² Index write ² Audio level Zebra pattern CVF+LCD BW VCR stop ² MAGN. button TV screen SHUTTER dial CP backward key ^{1,2}</p>	<p>VCR/PLAY</p> <p>Time code TV screen Data code Audio level Time code hold ² CVF+LCD BW</p>
<p>CAMERA · CARD</p> <p>Zebra pattern TV screen CVF+LCD BW MAGN. button SHUTTER dial CP backward key ^{1,2}</p>	<p>VCR/PLAY · CARD</p> <p>TV screen CVF+LCD BW</p>

¹ Can only be assigned to Custom Key 2.

² This function can only be operated with a custom key (Index write can also be operated with the wireless controller).

Canon

CANON INC.

Canon Europa N.V.

P.O. Box 2262, 1180 EG Amstelveen, the Netherlands

Canon UK Ltd.

CCI Service Centre, Unit 130

Centennial Park, Borehamwood, Hertfordshire, WD6 3SE, England

Telephone 0870-241-2161

Canon Australia Pty. Ltd.

Info-Line: 131383

www.canon.com.au

Canon New Zealand Ltd.

Customer Care: (09) 489 0470

www.canon.co.nz

Canon Singapore Pte. Ltd

1 HarbourFront Avenue, #04-01 Keppel Bay Tower, Singapore 098632

Tel: (65) 6799 8888

Fax: (65) 6799 8882

Canon Hongkong Company Ltd

19/F., The Metropolis Tower, 10 Metropolis Drive, Hunghom, Kowloon, Hong Kong

Canon Latin America, Inc.

Sales & Enquiries: 703 Waterford Way Suite 400 Miami, FL 33126 USA



Printed on 100% reused paper.